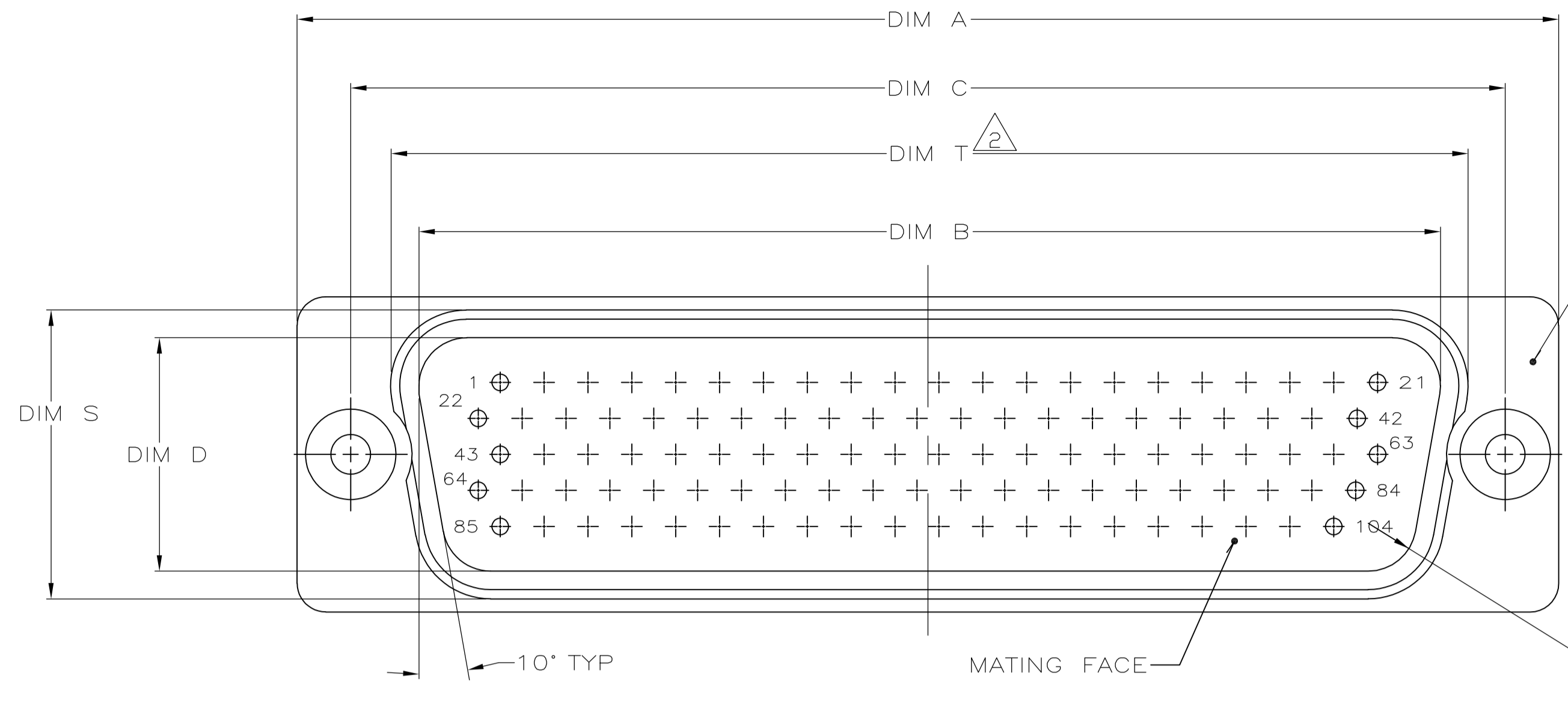


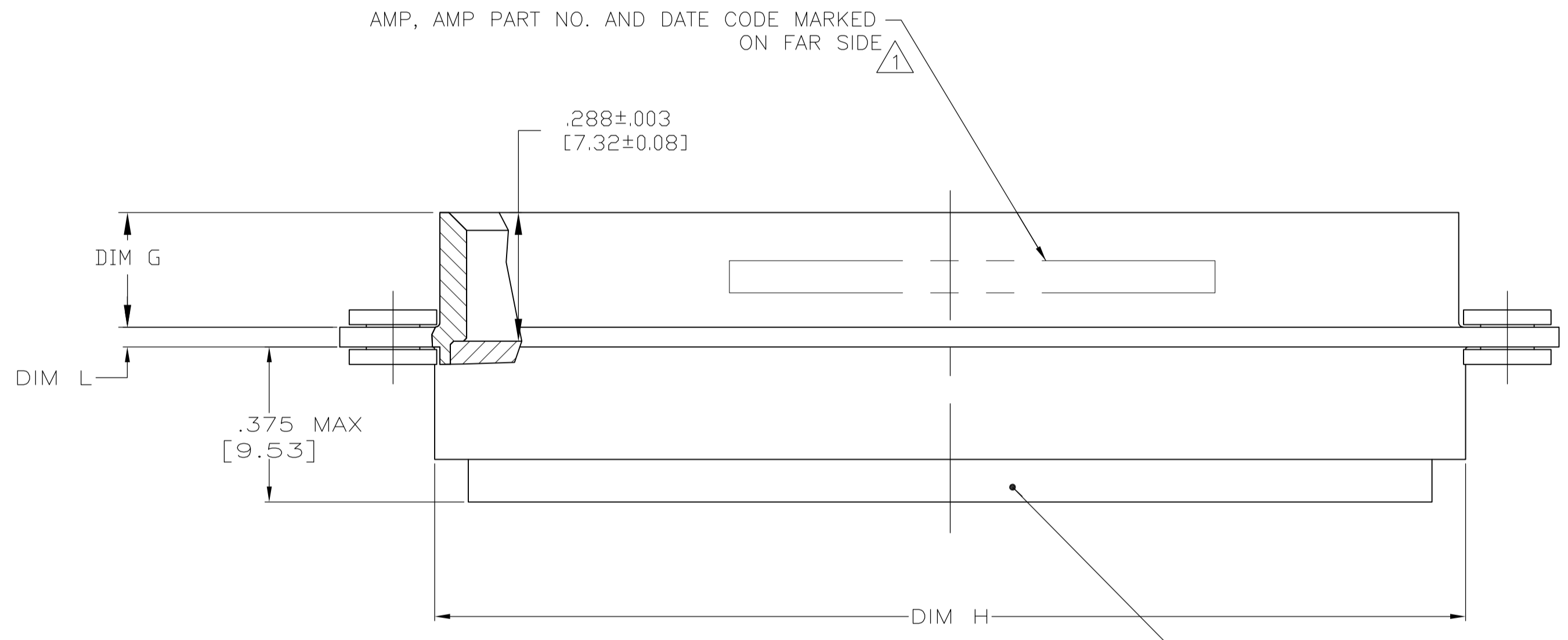
LOC		DIST		REVISIONS			
DF	DO	REV	DESCRIPTION	DATE	BY	APPV	
G		1	REV PER ECO 09-028498	20JAN10	PY	RL	



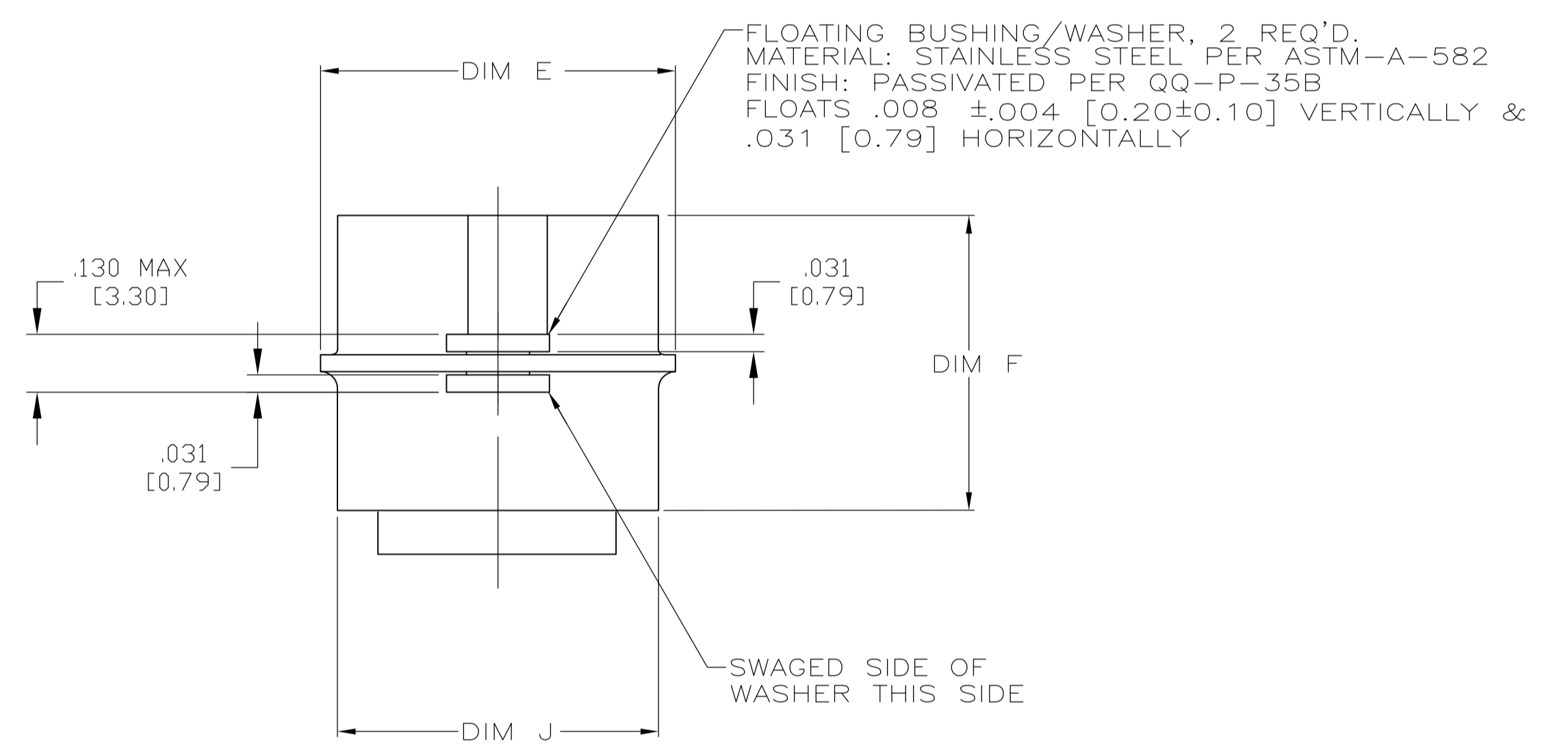
SHELL:
 MATERIAL: ALUMINUM ALLOY PER 6061.
 FINISH: CADMIUM PER QQ-P-416, TYPE II,
 CLASS 2 OVER COPPER PER MIL-C-14550, CLASS 4

- MARKED WITH .047-.062 HIGH CHARACTERS. FAR SIDE REFERS TO THE WIDE SIDE OF THE KEYSTONE. NEAR SIDE REFERS TO THE NARROW SIDE OF THE KEYSTONE. IF PART IS TOO SMALL TO MARK ON FRONT OF SHELL, MARKING CAN BE SPLIT BETWEEN FRONT AND REAR OF SHELL
- FEATURE SHORTENED BY CLEARANCE RADIUS FOR FLOAT BUSHING.

R.104±.002
 [2.64±0.05]



INSERT ASSEMBLY:
 MAT'L: POLYPHENYLENE SULFIDE (PPS)
 GST-40F PER MIL-M-24519 OR GLASS FILLED
 POLYESTER TPES013G30 PER ASTM D5927



2.340 [59.44]	.610 [15.49]	.044 [1.12]	.614 [15.59]	2.319 [58.90]	.260 [6.60]	.569 [14.45]	.683 [17.35]	.509 [12.93]	2.505 [63.63]	2.218 [56.34]	2.744 [69.70]	104	6	1757207-6
2.192 [55.68]	.543 [13.79]	.044 [1.12]	.556 [14.12]	2.195 [55.75]	.260 [6.60]	.569 [14.45]	.673 [17.09]	.503 [12.78]	2.495 [63.37]	2.212 [56.18]	2.714 [68.94]	78	5	1757207-5
1.650 [41.91]	.437 [11.10]	.044 [1.12]	.444 [11.28]	1.642 [41.71]	.260 [6.60]	.569 [14.45]	.610 [15.49]	.440 [11.18]	2.401 [60.98]	2.079 [52.81]	2.620 [66.55]	44	3	1757207-3
.782 [19.86]	.437 [11.10]	.035 [0.89]	.444 [11.28]	1.630 [41.40]	.254 [6.45]	.553 [14.30]	.499 [12.67]	.327 [8.31]	1.857 [47.17]	1.527 [38.78]	2.103 [53.42]	15	1	1757207-1
			.432 [10.97]	.776 [19.71]	.260 [6.60]	.569 [14.45]	.509 [12.93]	.327 [8.31]	.989 [25.12]	.659 [16.74]	1.228 [31.19]			
			.432 [10.97]	.764 [19.41]	.254 [6.45]	.553 [14.30]	.499 [12.67]	.321 [8.15]	.979 [24.87]	.653 [16.59]	1.198 [30.43]			
T	S	L	J	H	G	F	E	D	C	B	A	NO OF POS	SHELL SIZE	PART NUMBER

THIS DRAWING IS A CONTROLLED DOCUMENT.

DIMENSIONS: INCHES	TOLERANCES UNLESS OTHERWISE SPECIFIED:	DIN C.C. THOMAS 02MAR2006	3-3-06	Tyco Electronics Corporation Harrisburg, PA 17105-3608
0 PLC ± -	1 PLC ± -	2 PLC ± -	3 PLC ± .005	4 PLC ANGLES ± -
MATERIAL: -		FINISH: -		APPROVED: D. MILLER 3-3-06
NAME: PLUG ASSEMBLY, AMPLIMITE, SERIES 90, BLINDMATE		APPLICATION SPEC: -		RESTRICTED TO: -
WEIGHT: -		SCALE: 4:1		SHEET 1 OF 1
CUSTOMER DRAWING		DRAWING NO: A1 00779		REV: 1757207

单击下面可查看定价，库存，交付和生命周期等信息

[>>TE Connectivity\(泰科\)](#)