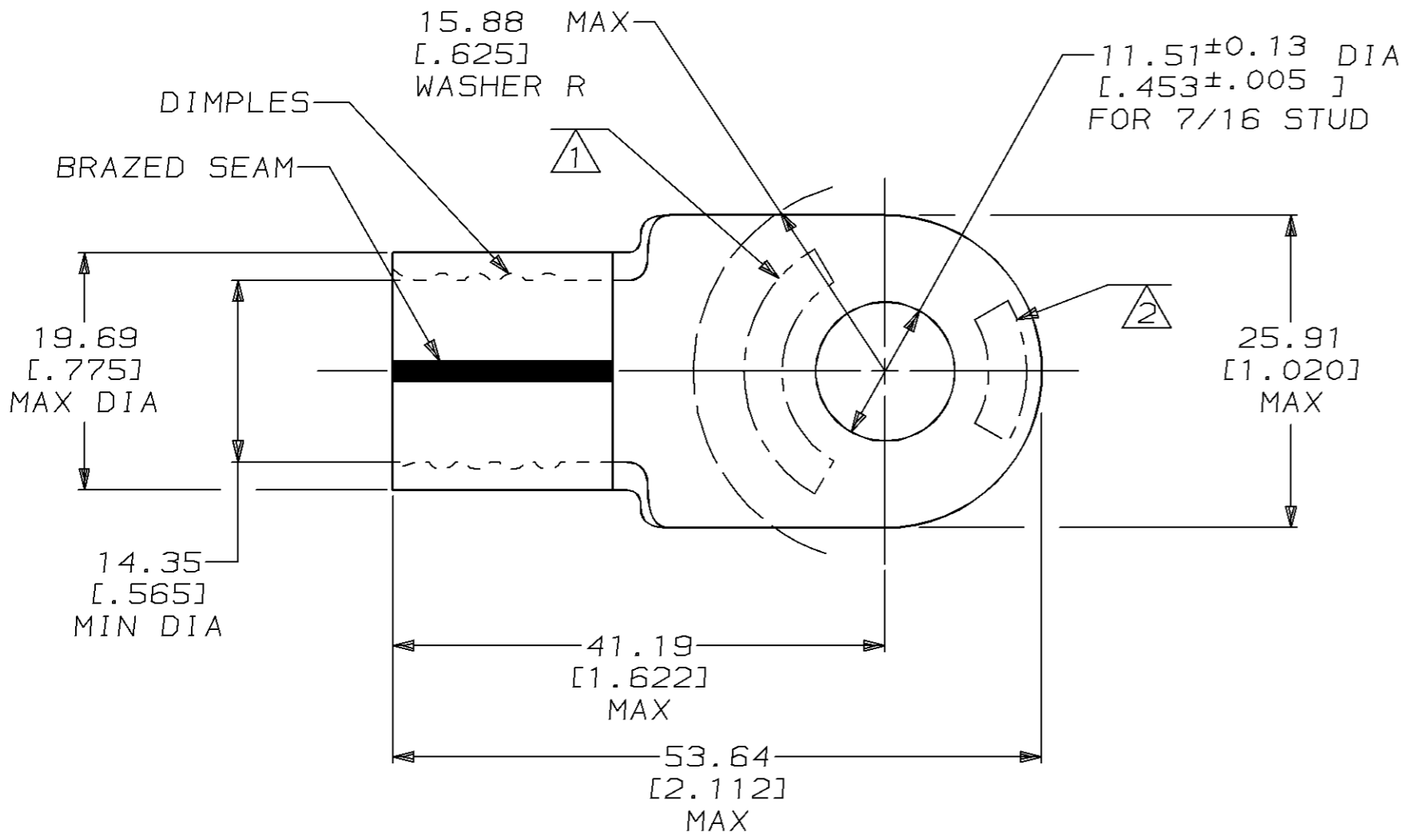


THIS DRAWING IS UNPUBLISHED. RELEASED FOR PUBLICATION, 19 .
 © COPYRIGHT 19 BY AMP INCORPORATED. ALL INTERNATIONAL RIGHTS RESERVED.

| LOC | DIST | P | F | REVISIONS | | | | |
|-----|------|---|---|-----------|-----|--------------------------|---------|---------|
| G | 14 | | | ZONE | LTR | DESCRIPTION | DATE | APPD |
| | | | | | C | REVISED PER 0L20-0073-96 | 19FEB97 | OKS CHK |



| | |
|------------------------------|---------------------------|
| AMP WIRE RANGE | E13288 Listed |
| 3/0 AWG SOLID OR STRANDED | 3/0 AWG STRANDED |
| LR7189 Certified | MILITARY P/N AND CLASS |
| 3/0 AWG SOLID OR STRANDED | MS 20659-156 CLASS 2 |

- 1 STAMP AMP 3/0W* APPROX AS SHOWN
- 2 STAMP 150 APPROX AS SHOWN
- 3 MATERIAL THK: 2.31±0.08 [.091±.003]

| | | | | | | | | | |
|--|--|---|--|--|--|---|--------------------|------------------------|--|
| AMP INCORPORATED CUSTOMER SERVICE SYSTEMS | | MAX RECOMMENDED OPERATING TEMPERATURE: 170°C MAX | | DO NOT SCALE PRINT, UNLESS SPECIFIED DIMENSIONS IN mm [INCHES] TOLERANCES ON: 2 PLC DEC ± 0.20 [.008] 3 PLC DEC ± - ANGLES ± - | | DR 5/25/93 DK SCHRUM CHK 1/27/94 RD HEIM APPD 1/27/94 RE ROSER APPD 1/27/94 JL MECKLEY PRODUCT SPEC - APPLICATION SPEC - WEIGHT - | | 321876 PART NO | |
| FOR ADDITIONAL PRODUCT INFORMATION OR COPIES OF DRAWINGS AND TECHNICAL DOCUMENTS | PRODUCT INFORMATION CENTER 1-800-522-6752 | VOLTAGE RATING: NOT APPLICABLE | | MATERIAL COPPER PER ASTM B-152 ANNEALED | | AMP AMP Incorporated Harrisburg, PA 17105-3608 | | | |
| FOR APPLICATION TOOLING INFORMATION | TOOLING ASSISTANCE CENTER 1-800-722-1111 | WIRE CROSS SECTIONAL AREA RANGE: 76.3-96.3mm² [150,500-190,000] CIR MILS SOLID OR STRANDED | | FINISH TIN PLATE 0.00254 [.000100] MIN THK PER MIL-T-10727 | | NAME TERMINAL, RING TONGUE, SOLISTRAND™ | | | |
| FOR ORDER ENTRY | 1-800-526-5142 | THIS DRAWING IS A CONTROLLED DOCUMENT FOR AMP INCORPORATED. IT IS SUBJECT TO CHANGE AND THE CONTROLLING ENGINEERING ORGANIZATION SHOULD BE CONTACTED FOR THE LATEST REVISION. | | | | SIZE B | CAGE CODE 00779 | DRAWING NO C-321876 | |
| | | | | | | SCALE 2:1 | SHEET 1 OF 1 | | |

单击下面可查看定价，库存，交付和生命周期等信息

[>>TE Connectivity\(泰科\)](#)