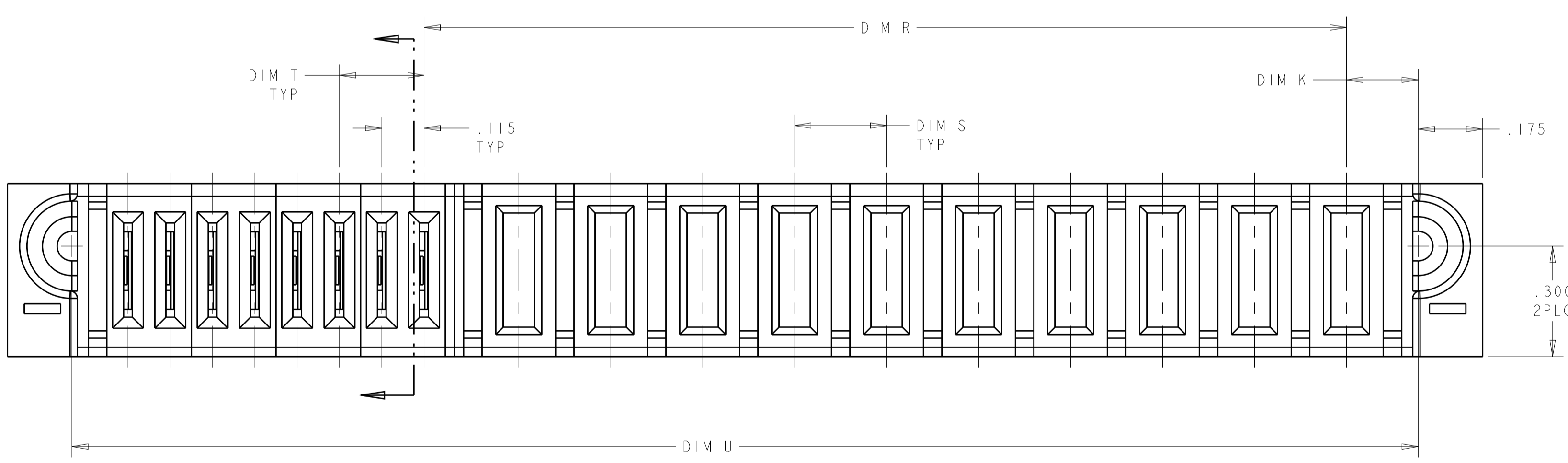
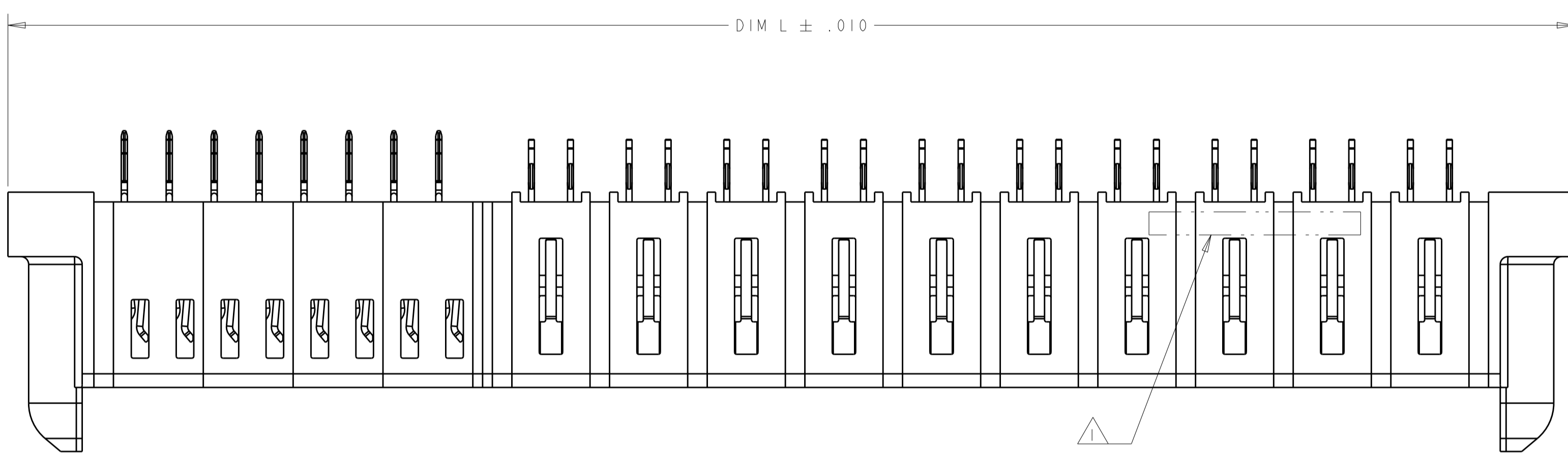
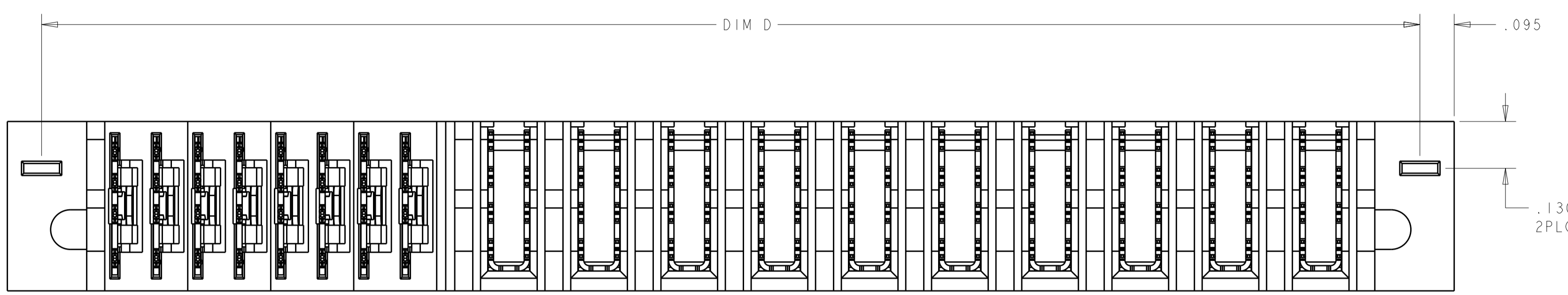
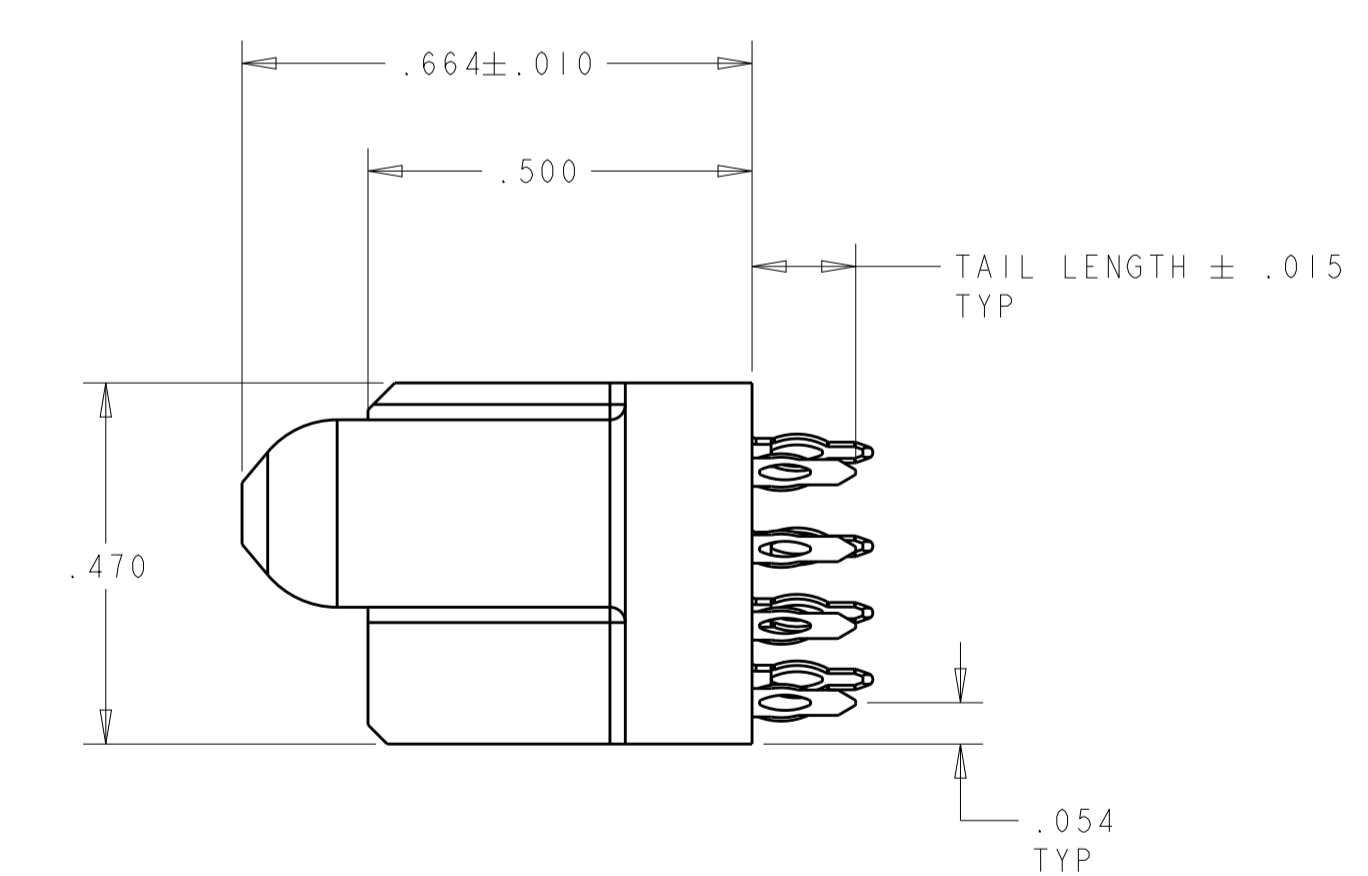
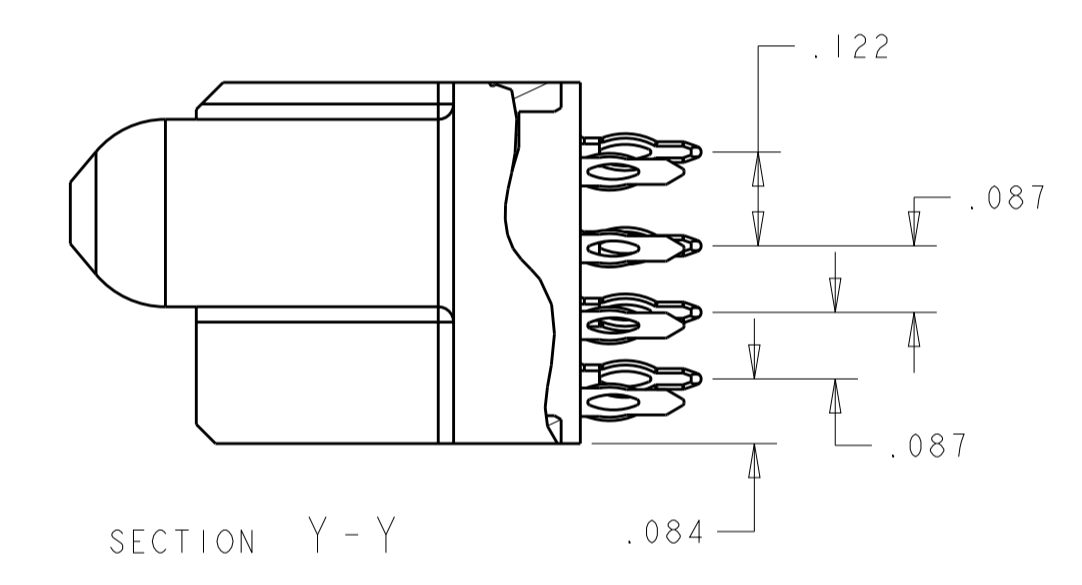


LOC		DIST		REVISIONS			
ES	00	P	LTN	DESCRIPTION	DATE	DWN	APVD
		B3		REV PER ECR-11-012858	16JUN2011	AY	SZ
		B4		ADDED NEW DASH NUMBER -9	04SEP2012	CZ	SZ
		B5		ADDED NEW DASH NUMBER 1-1	19APR2013	CZ	SZ



- 1 "AMP", PART NUMBER AND DATE CODE TO BE MARKED IN AREA SHOWN PARTS UNDER 2.00 LONG MAY BE MARKED ON BOTH SIDES
- 2 MATERIAL: HOUSING - GLASS FILLED HIGH TEMP THERMO PLASTIC, UL94 V-0, BLACK.
SIGNAL CONTACT - HIGH CONDUCTIVITY COPPER ALLOY
POWER CONTACT - HIGH CONDUCTIVITY COPPER ALLOY
LP CONTACT - HIGH CONDUCTIVITY COPPER ALLOY
- 3 CONTACT PLATING: NOBLE METAL PLATING ON CONTACT FUNCTIONAL AREA OF POWER AND SIGNAL CONTACTS.
- 4 MECHANICAL CONNECTOR KEEP OUT ZONE
- 5 DATUM AND BASIC DIMENSIONS ESTABLISHED BY CUSTOMER
- 6 PCB - ALL HOLE DIAMETERS ARE FINISHED HOLE SIZES
- 7 PCB - 0.0453 ± .0010 DRILLED HOLES PLATED WITH .0003 MIN Sn OVER .001 TO .003 Cu PLATING TO ACHIEVE A .040 ± .030 HOLE
- 8 VARIABLE DIMENSIONS SHOW ON TABLE.
- 9 PLEASE REFER TO PART VIEW FOR DETAIL DIMENSIONS.
- 10 NOT RELEASED FOR PRODUCTION.



	D	T	S	K	U	R	L	DESCRIPTION	PART NUMBER
B5	.710	.115	-	-	.550	.1025	.900	4LP	1-6450863-1
	-	-	.250	.170	1.090	-	1.440	4P	6450863-9
	-	-	.200	.170	1.340	-	1.690	6HDP	6450863-8
	-	-	.200	.145	1.490	-	1.840	7HDP	6450863-6
	-	-	.300	.195	2.190	-	2.540	7ACP	6450863-5
	-	-	-	-	-	-	-	12 HDP	6450863-4
	2.700	-	8	.145	2.540	-	2.890	12P	6450863-2

THIS DRAWING IS A CONTROLLED DOCUMENT. DWN: H. LIU 12JUN2008
CHK: S. ZHAO 12JUN2008
APVD: S. YAO

DIMENSIONS: INCHES. TOLERANCES UNLESS OTHERWISE SPECIFIED:
0 PLC ±.01
1 PLC ±.01
2 PLC ±.01
3 PLC ±.005
4 PLC ±.0020
ANGLES ±.01

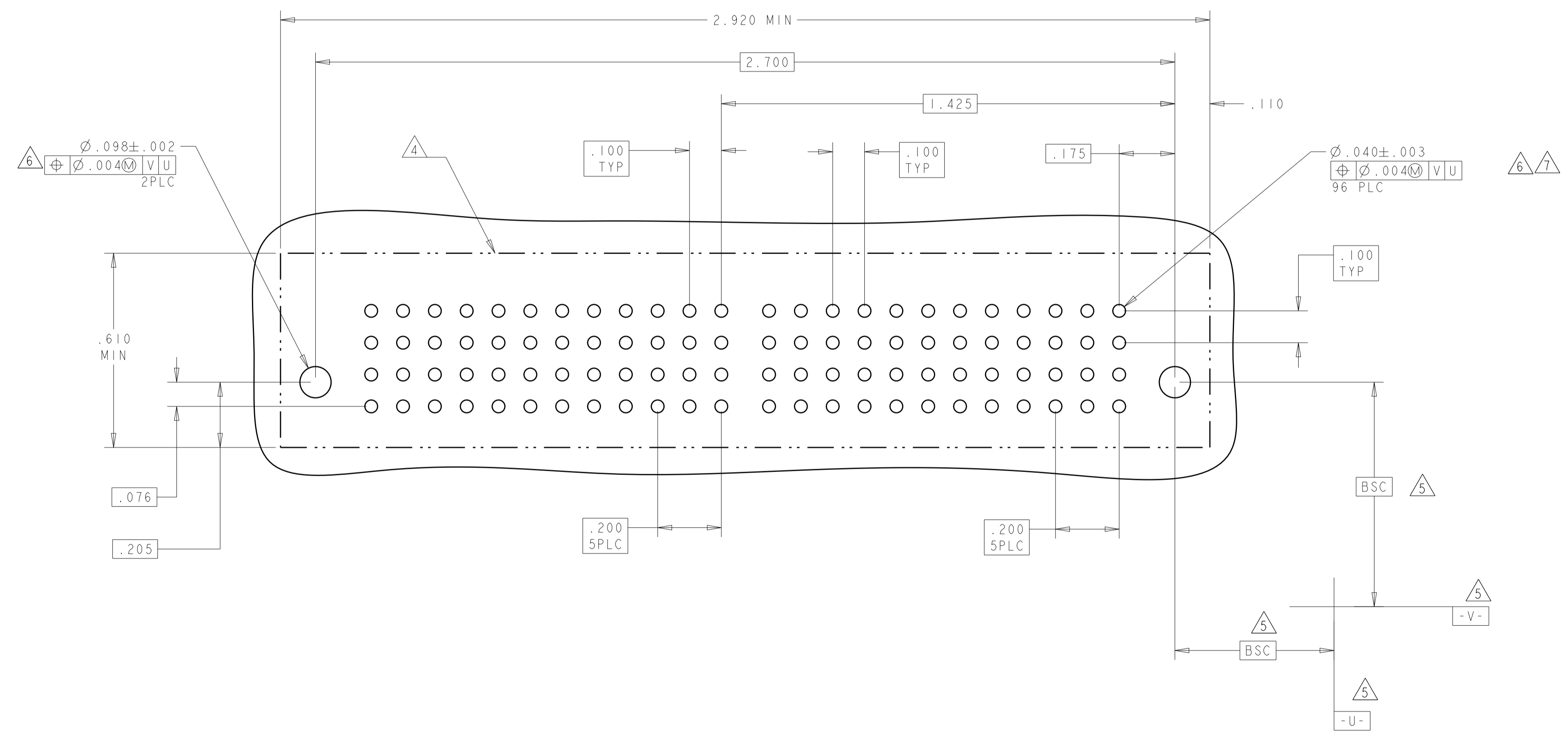
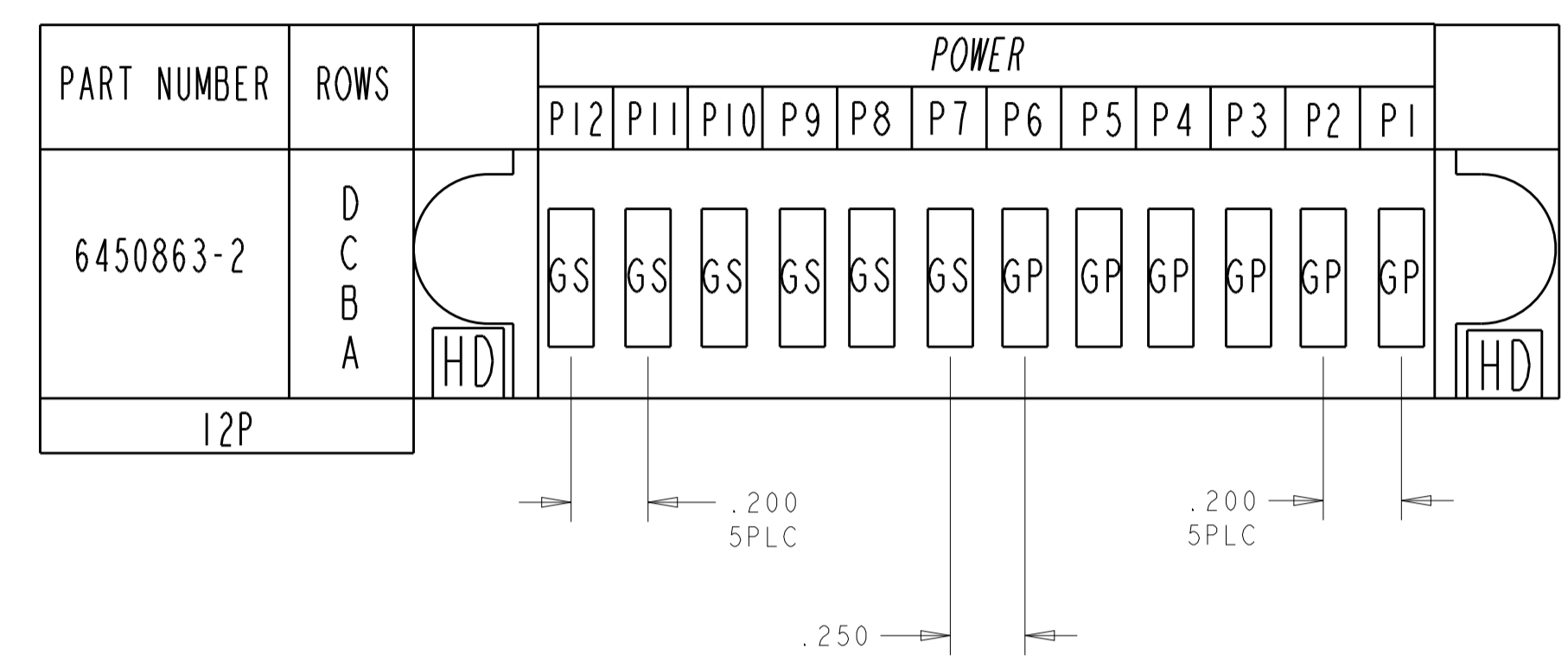
MATERIAL: 6. FINISH: 10

PRODUCT SPEC: 108-2292
APPLICATION SPEC: 114-13038
WEIGHT: -
CUSTOMER DRAWING

NAME: VER RECEPTOR ASSEMBLY SHROTT GUIDES, PRESS FIT MULTI-BEAM XLE
SIZE: A1
CAGE CODE: 100779
DRAWING NO: 6450863
RESTRICTED TO: -

SCALE: N/A SHEET 1 OF 6 REV: B5

LOC	DIST	REVISIONS					
		P	LTN	DESCRIPTION	DATE	DMN	APVD
ES	00	-	-	SEE SHEET 1	-	-	-

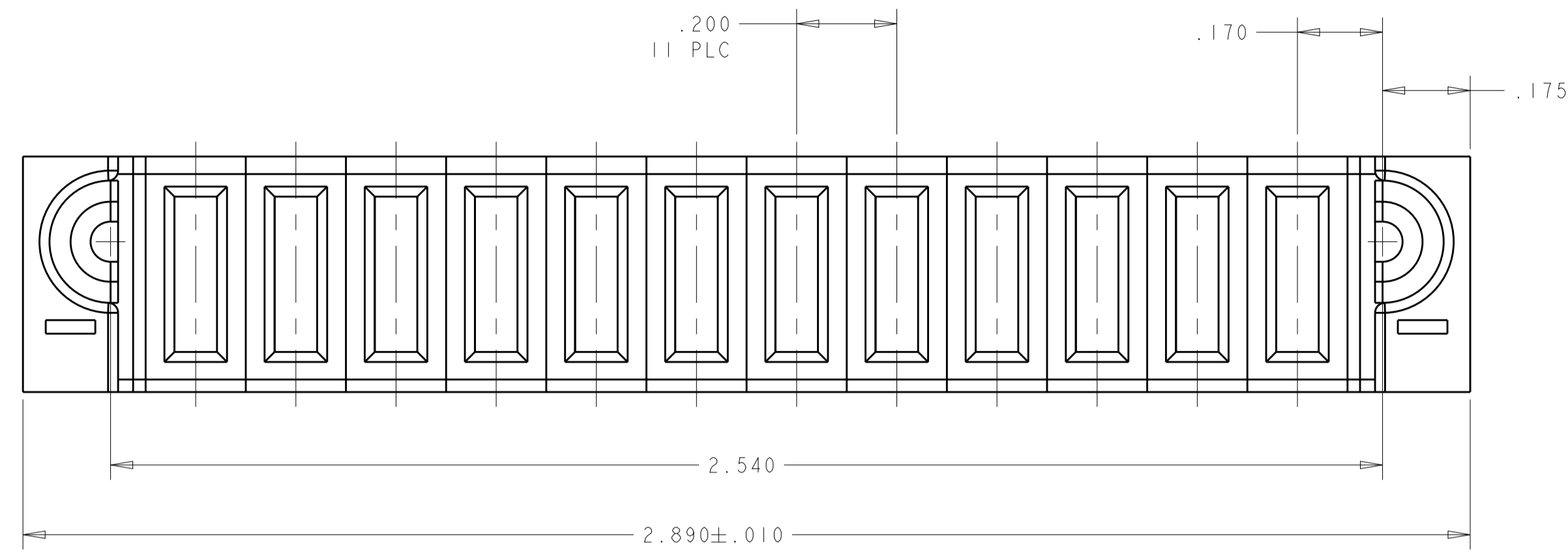


CODE	DESCRIPTION
LSI	STD LOW POWER PRESS FIT, .135 TAIL LENGTH
GP	MFBL POWER PRESS FIT, .135 TAIL LENGTH.
GS	STD POWER PRESS FIT, .135 TAIL LENGTH.

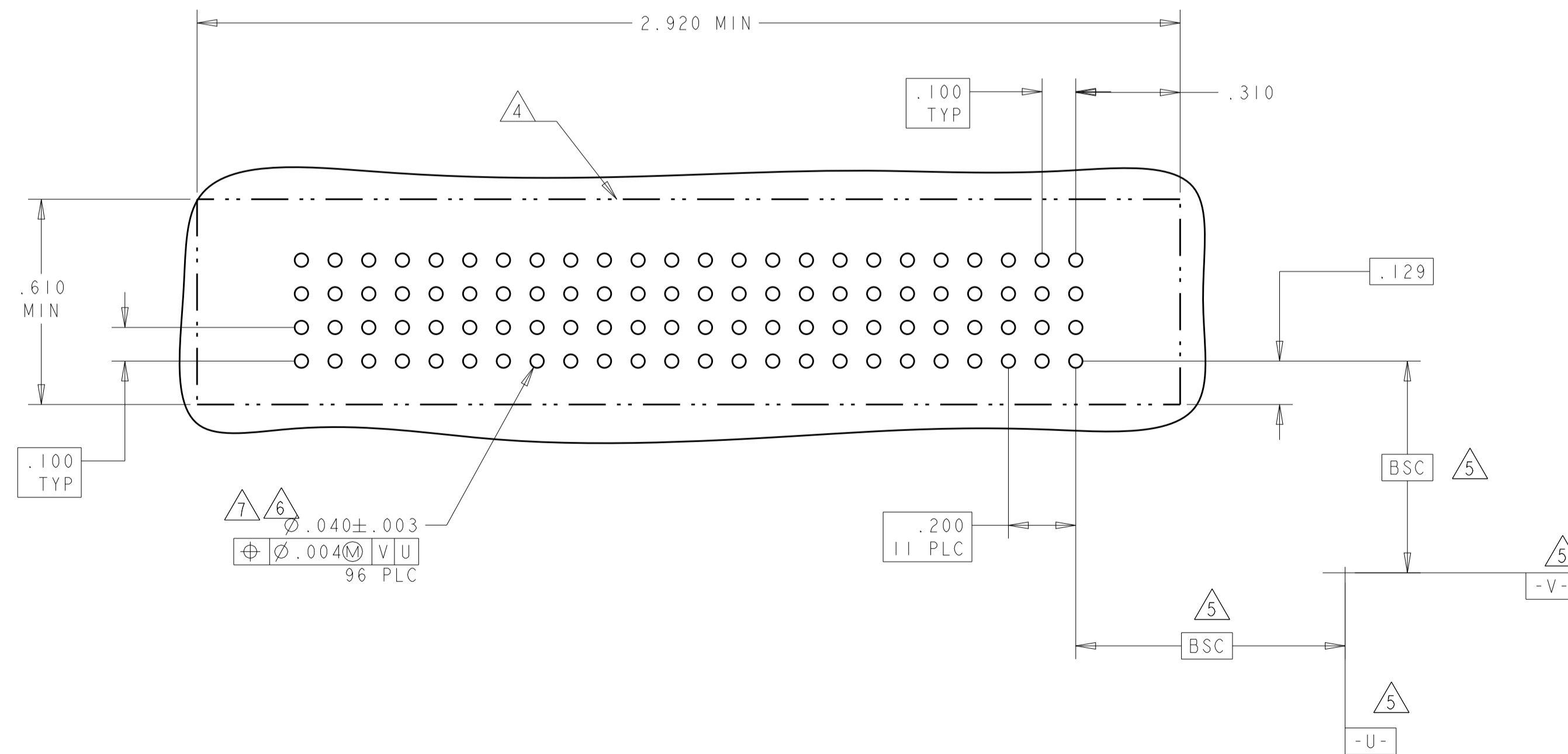
CONTACT TABLE

THIS DRAWING IS A CONTROLLED DOCUMENT.		DMN	H. LIU	12JUN2008
DIMENSIONS:		CHK	S. ZHAO	12JUN2008
INCHES		APVD	S. YAO	-
TOLERANCES UNLESS OTHERWISE SPECIFIED:		NAME		
0 PLC	±	VER RECEP ASSEMBLY		
1 PLC	±.01	SHROT GUIDES, PRESS FIT		
2 PLC	±.01	MULTI-BEAM XLE		
3 PLC	±.005	PRODUCT SPEC	108-2292	
4 PLC	±.0020	APPLICATION SPEC	114-13038	
ANGLES	±.0020	SIZE	CAGE CODE	DRAWING NO
FINISH	±.0020	RESTRICTED TO	A100779C=6450863	
MATERIAL		WEIGHT	CUSTOMER DRAWING	
		SCALE	N/A	SHEET 2 OF 6 REV B5

LOC		DIST		REVISIONS			
		REV	DATE	DESCRIPTION	DATE	BY	APP'D
ES	00	-	-	SEE SHEET 1	-	-	-

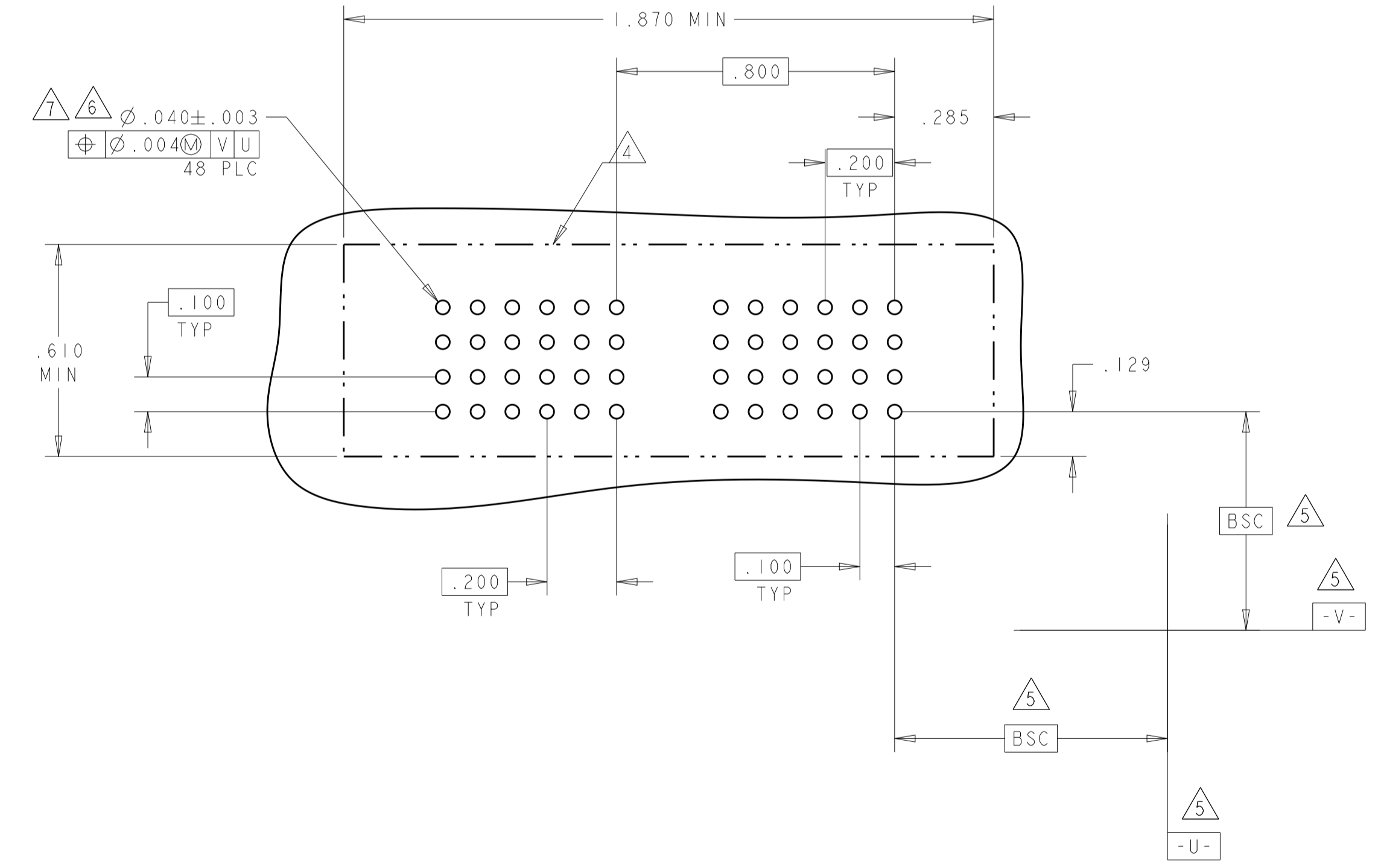
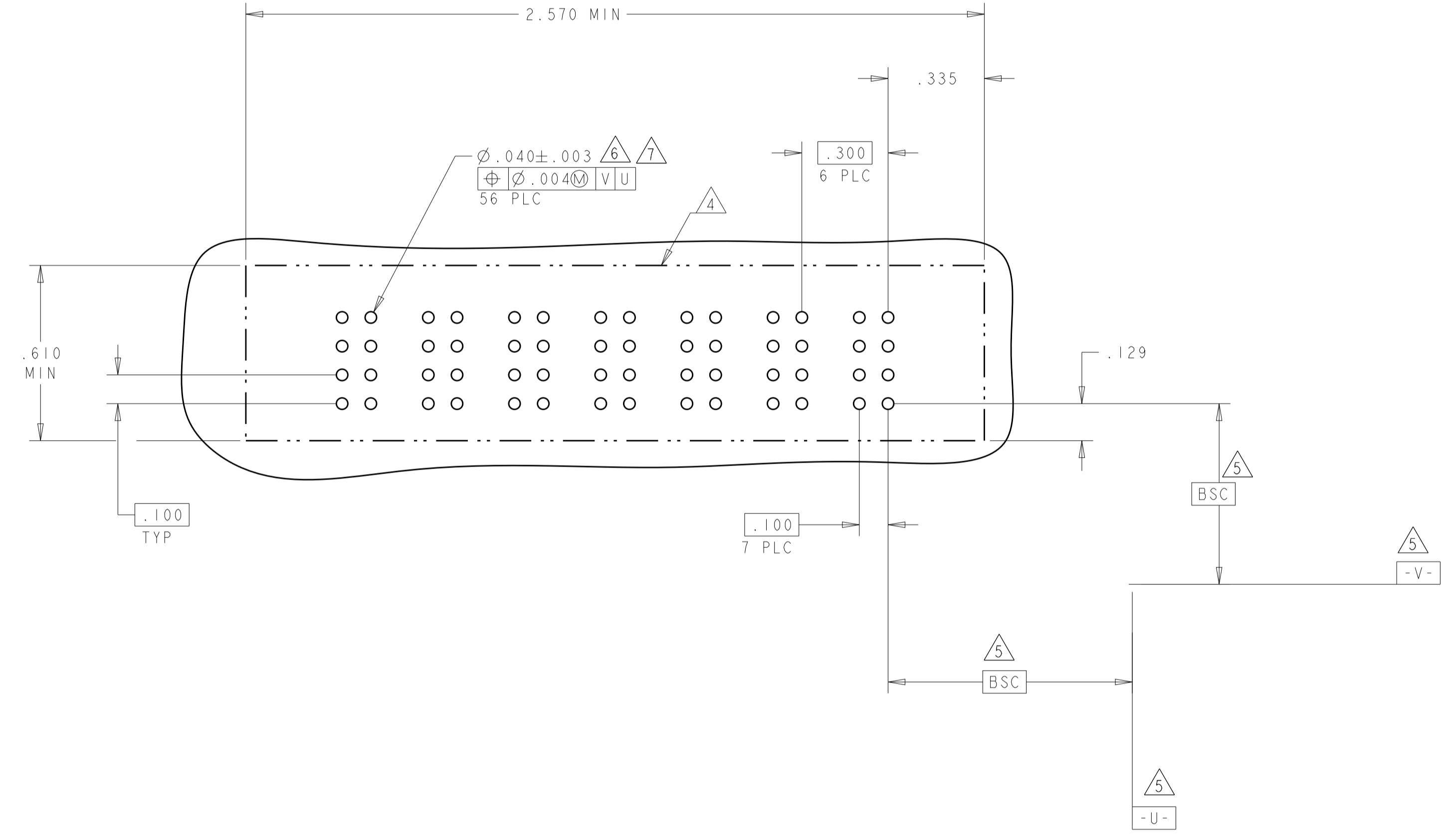
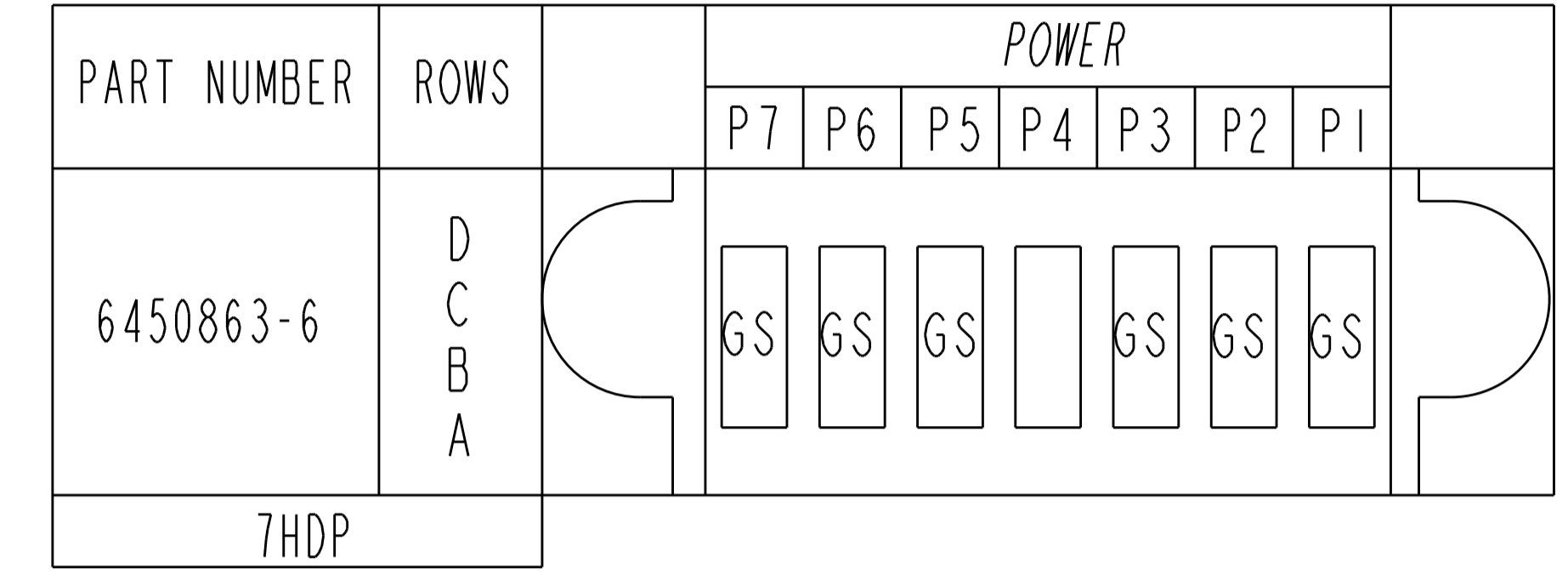
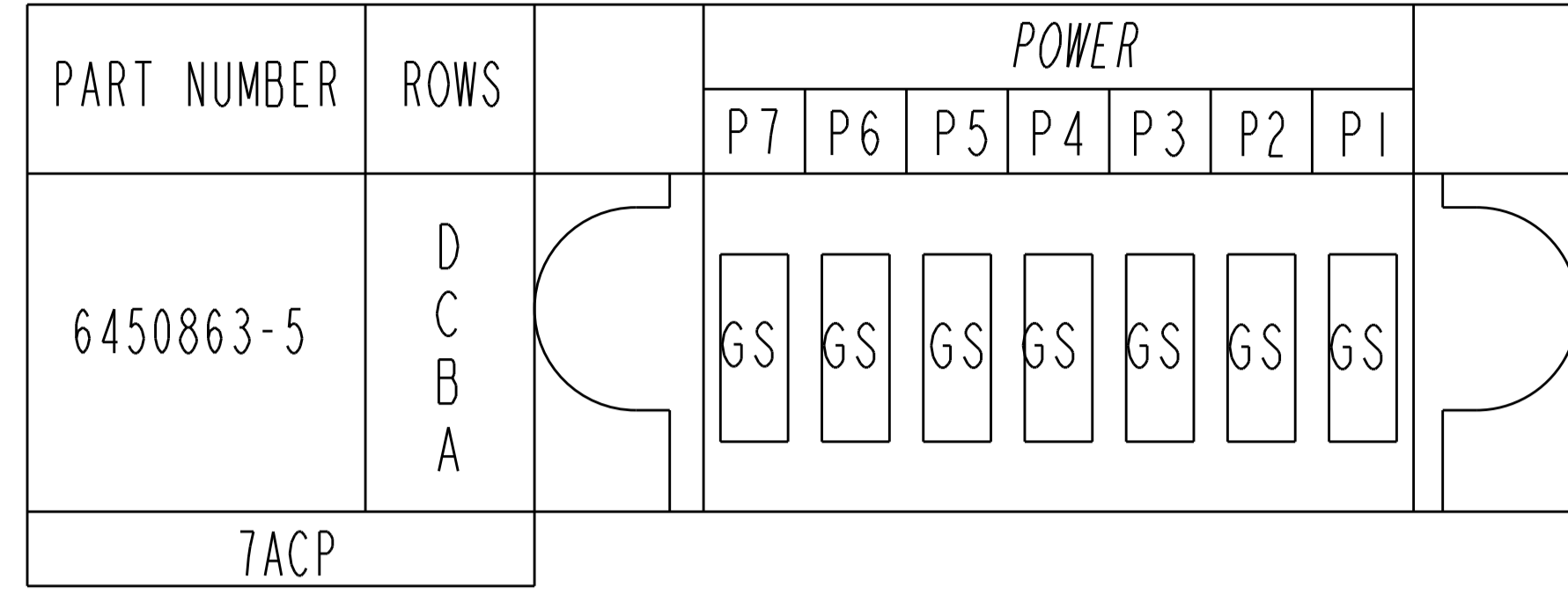


PART NUMBER	ROWS	POWER											
		P12	P11	P10	P9	P8	P7	P6	P5	P4	P3	P2	P1
6450863-4	D C B A	GS	GS	GP	GS	GS	GS	GS	GS	GP	GS	GS	GS
12HDP													



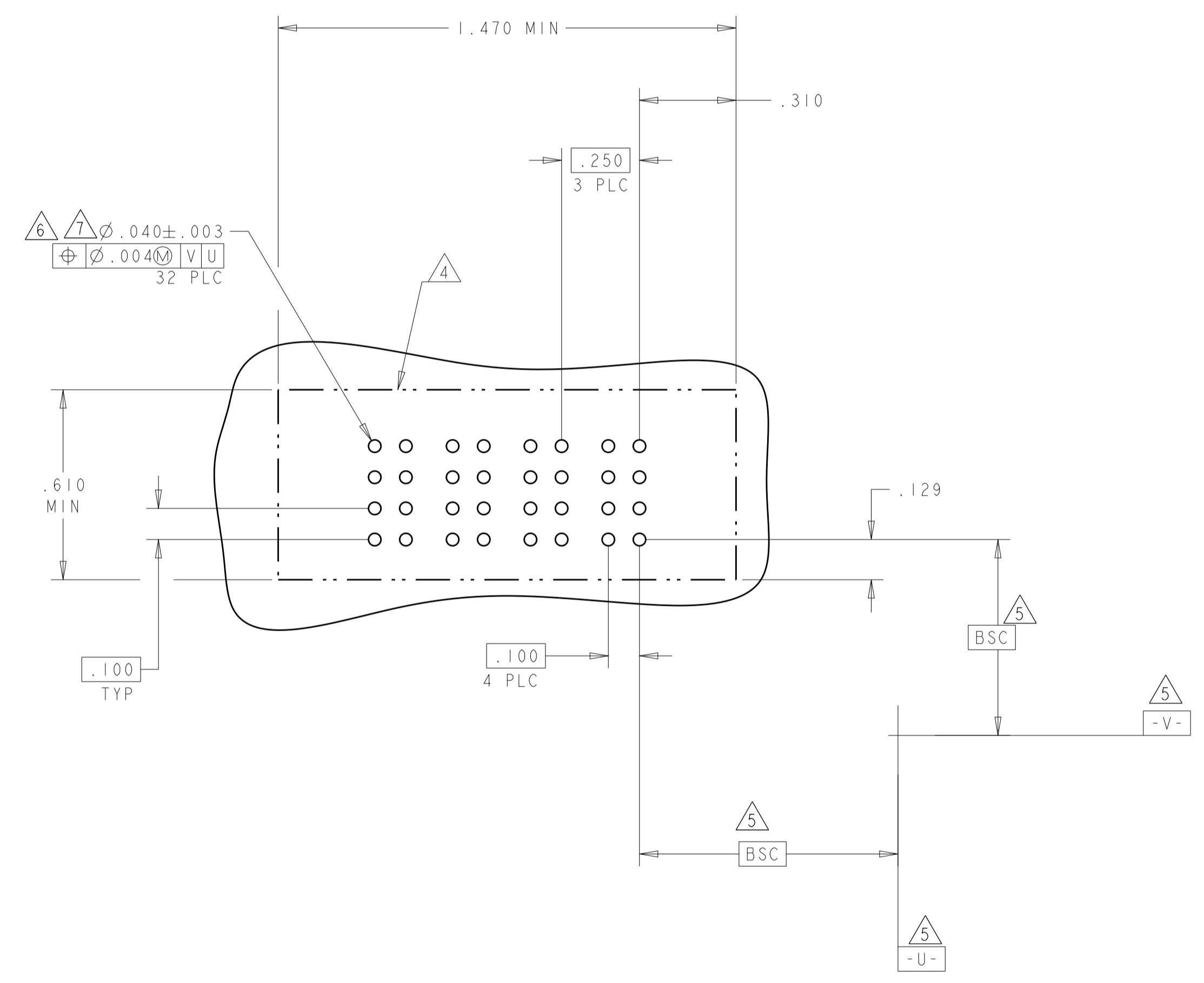
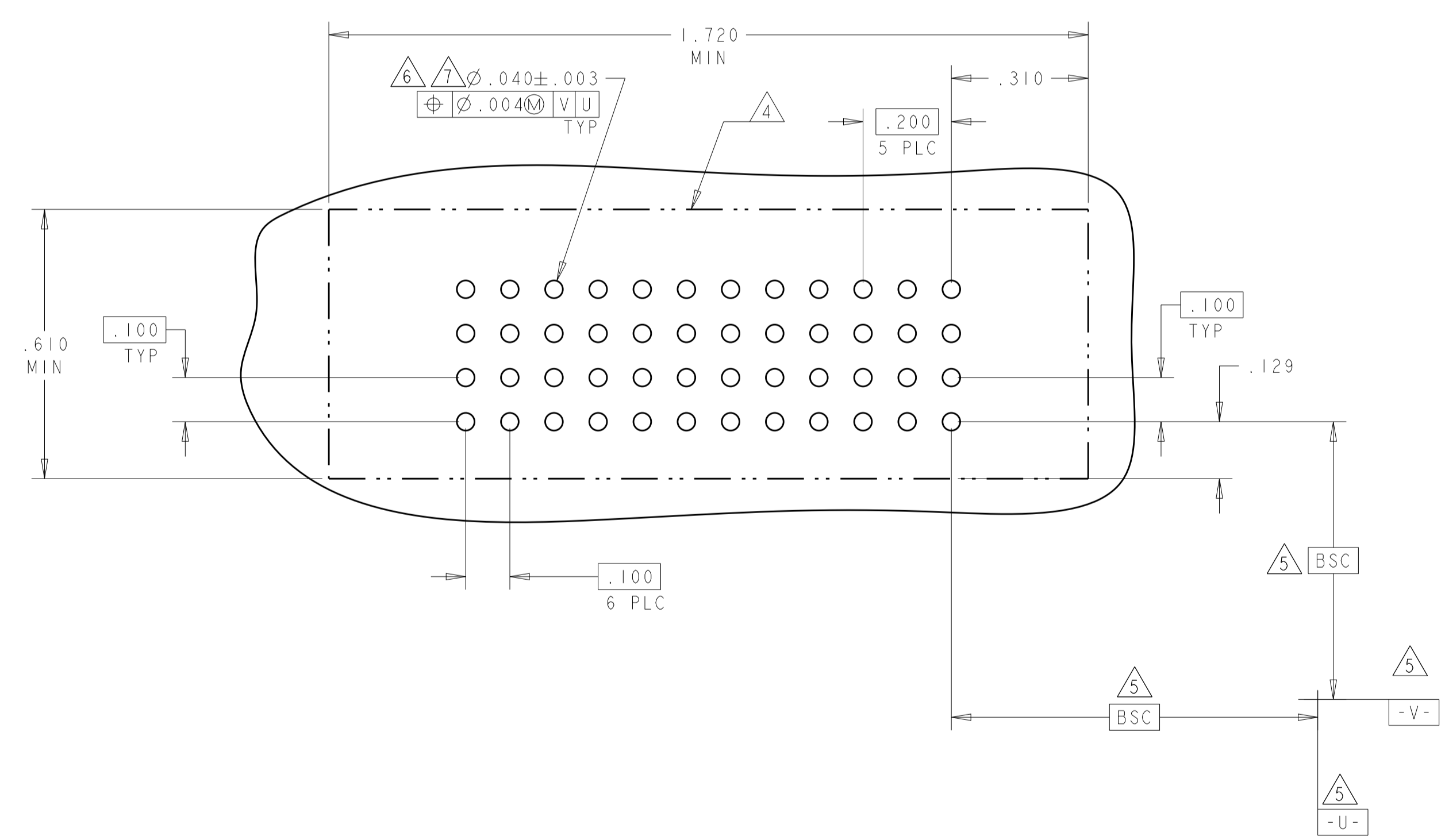
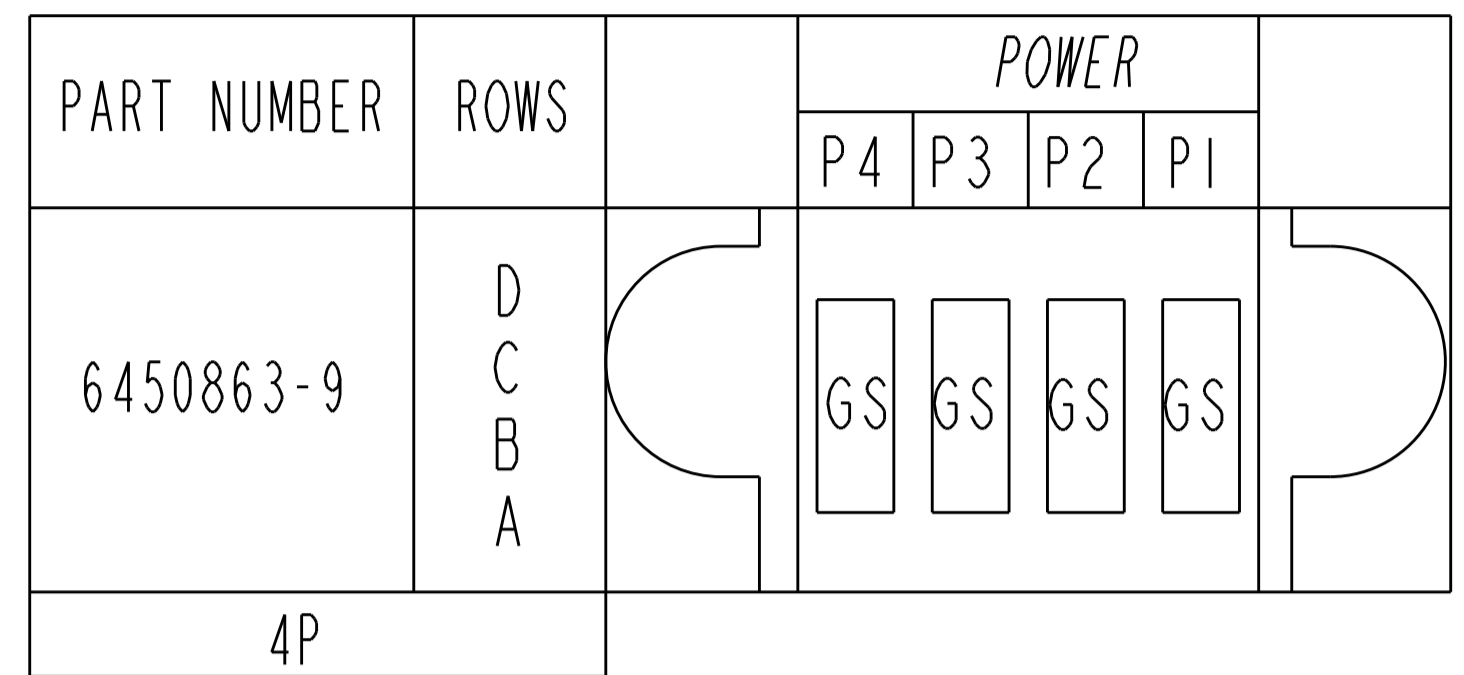
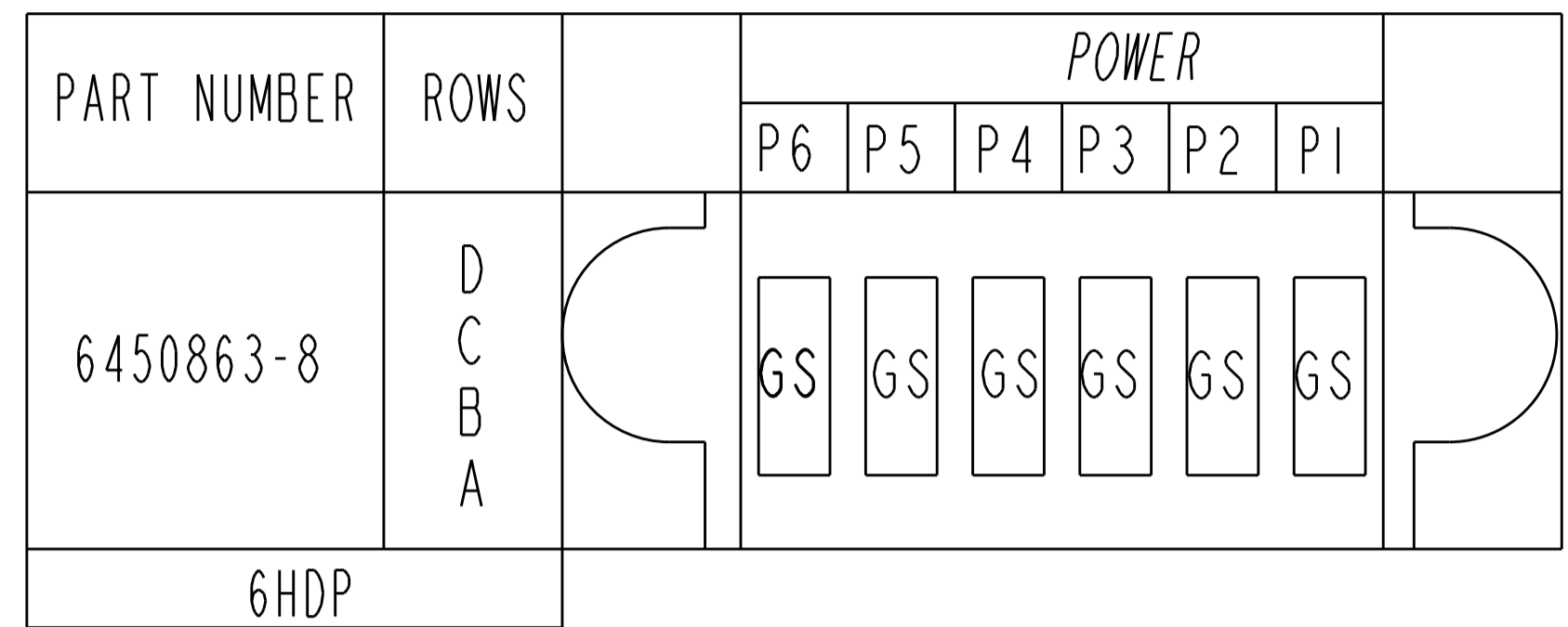
THIS DRAWING IS A CONTROLLED DOCUMENT.		OWN: H.LIU 12JUN2008	TE Connectivity												
DIMENSIONS: INCHES		CHK: S.ZHAO 12JUN2008													
 0 PLC ± 2 PLC ±.01 3 PLC ±.05 4 PLC ±.0020 ANGLES ±.2°		APVD: S.YAO													
MATERIAL: -		FINISH: -	<table border="1"> <tr> <th>PRODUCT SPEC</th> <th>NAME</th> </tr> <tr> <td>108-2292</td> <td>VER RECEP ASSEMBLY SHROT GUIDES, PRESS FIT MULTI-BEAM XLE</td> </tr> <tr> <th>APPLICATION SPEC</th> <th>RESTRICTED TO</th> </tr> <tr> <td>114-13038</td> <td>-</td> </tr> </table>	PRODUCT SPEC	NAME	108-2292	VER RECEP ASSEMBLY SHROT GUIDES, PRESS FIT MULTI-BEAM XLE	APPLICATION SPEC	RESTRICTED TO	114-13038	-				
PRODUCT SPEC	NAME														
108-2292	VER RECEP ASSEMBLY SHROT GUIDES, PRESS FIT MULTI-BEAM XLE														
APPLICATION SPEC	RESTRICTED TO														
114-13038	-														
CUSTOMER DRAWING		SCALE: N/A	<table border="1"> <tr> <th>SIZE</th> <th>CAGE CODE</th> <th>DRAWING NO</th> <th>SHEET</th> <th>OF</th> <th>REV</th> </tr> <tr> <td>A100779</td> <td>C=6450863</td> <td>114-13038</td> <td>3</td> <td>6</td> <td>B5</td> </tr> </table>	SIZE	CAGE CODE	DRAWING NO	SHEET	OF	REV	A100779	C=6450863	114-13038	3	6	B5
SIZE	CAGE CODE	DRAWING NO	SHEET	OF	REV										
A100779	C=6450863	114-13038	3	6	B5										

LOC	DIST	REVISIONS			
P	LTN	DESCRIPTION	DATE	DMN	APVD
ES	00	SEE SHEET 1	-	-	-



THIS DRAWING IS A CONTROLLED DOCUMENT.		DMN: H. LIU 12JUN2008	TE Connectivity
DIMENSIONS: INCHES		CHK: S. ZHAO 12JUN2008	
TOLERANCES UNLESS OTHERWISE SPECIFIED:		APVD: S. YAO	NAME: VER RECEP ASSEMBLY SHROT GUIDES, PRESS FIT MULTI-BEAM XLE
0 PLC ±	1 PLC ±.01	PRODUCT SPEC: 108-2292	SIZE: A100779
2 PLC ±.01	3 PLC ±.005	APPLICATION SPEC: 114-13038	CAGE CODE: 6450863
4 PLC ±.0020	ANGLES ±.020	WEIGHT: -	RESTRICTED TO: -
MATERIAL: -	FINISH: -	CUSTOMER DRAWING	SCALE: N/A
		SHEET: 4 OF 6	REV: B5

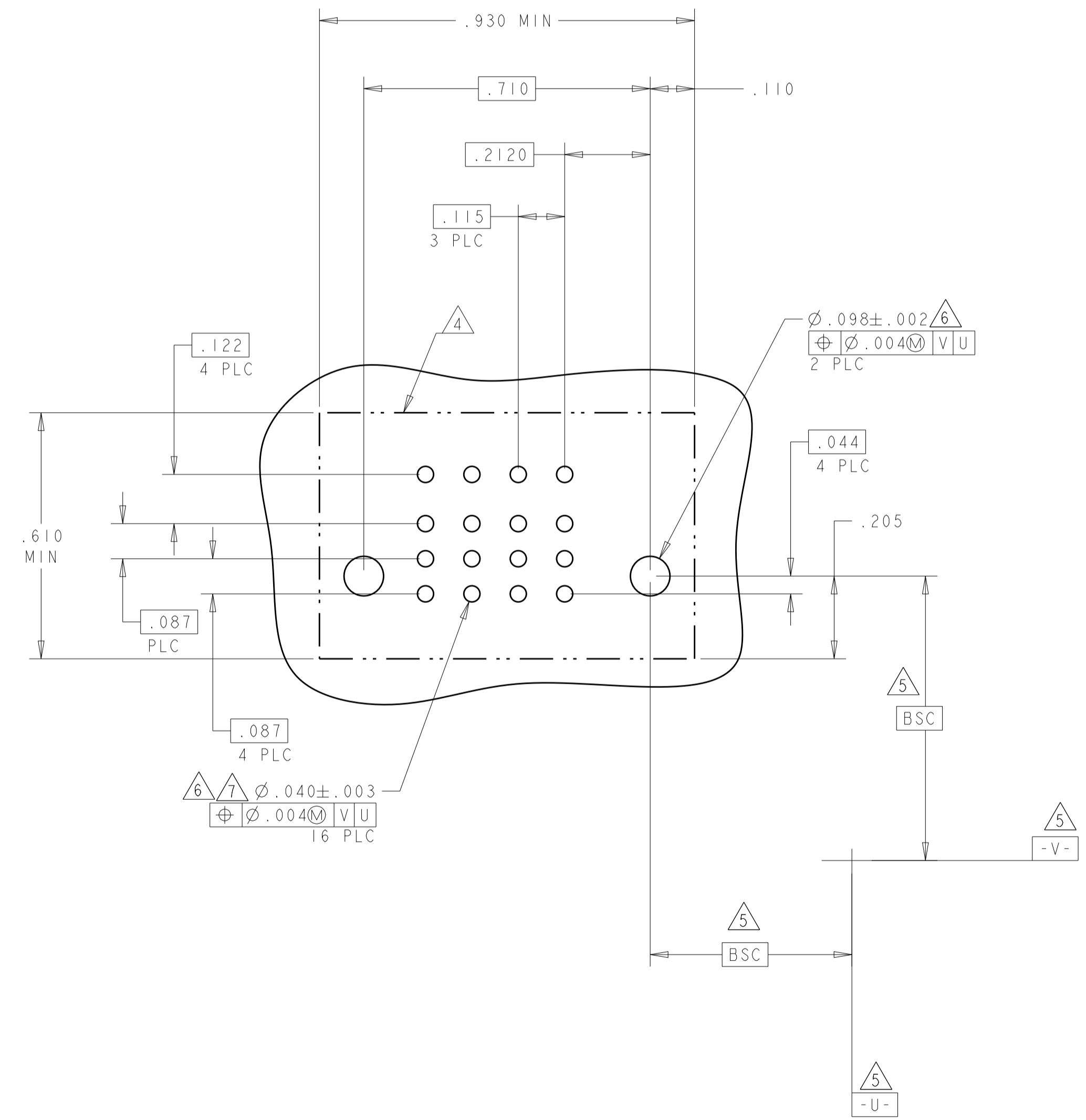
LOC	DIST	REVISIONS			
P	LTN	DESCRIPTION	DATE	DMN	APVD
ES	00	SEE SHEET 1			



THIS DRAWING IS A CONTROLLED DOCUMENT.		DMN: H. LIU 12JUN2008	TE Connectivity
DIMENSIONS: INCHES		CHK: S. ZHAO 12JUN2008	
TOLERANCES UNLESS OTHERWISE SPECIFIED:		APVD: S. YAO	NAME: VER RECEP ASSEMBLY SHROT GUIDES, PRESS FIT MULTI-BEAM XLE
0 PLC ±	1 PLC ±.01	PRODUCT SPEC: 108-2292	SIZE: A1
2 PLC ±.01	3 PLC ±.005	APPLICATION SPEC: 114-13038	CAGE CODE: 6450863
4 PLC ±.0020	ANGLES ±.2°	WEIGHT: -	RESTRICTED TO: -
MATERIAL: -	FINISH: -	CUSTOMER DRAWING	SCALE: N/A SHEET 5 OF 6 REV: B5

LOC	DIST	REVISIONS					
		P	LTN	DESCRIPTION	DATE	DWN	APVD
ES	00	-	-	SEE SHEET 1	-	-	-

PART NUMBER	POWER			
	LP4	LP3	LP2	LP1
I-6450863-1	LSI	LSI	LSI	LSI
4 LP				



THIS DRAWING IS A CONTROLLED DOCUMENT.		DWN: H.LIU 12JUN2008	TE Connectivity
DIMENSIONS: INCHES		CHK: S.ZHAO 12JUN2008	
TOLERANCES UNLESS OTHERWISE SPECIFIED: 0 PLC ±. 1 PLC ±. 2 PLC ±.01 3 PLC ±.05 4 PLC ±.0020 ANGLES ±.2°		APVD: S.YAO	NAME: VER RECEP ASSEMBLY SHROT GUIDES, PRESS FIT MULTI-BEAM XLE
MATERIAL: -		PRODUCT SPEC: 108-2292	SIZE: A1
FINISH: -		APPLICATION SPEC: 114-13038	CAGE CODE: C=6450863
		WEIGHT: -	RESTRICTED TO: -
		CUSTOMER DRAWING	SCALE: N/A SHEET 6 OF 6 REV: B5

单击下面可查看定价，库存，交付和生命周期等信息

[>>TE Connectivity\(泰科\)](#)