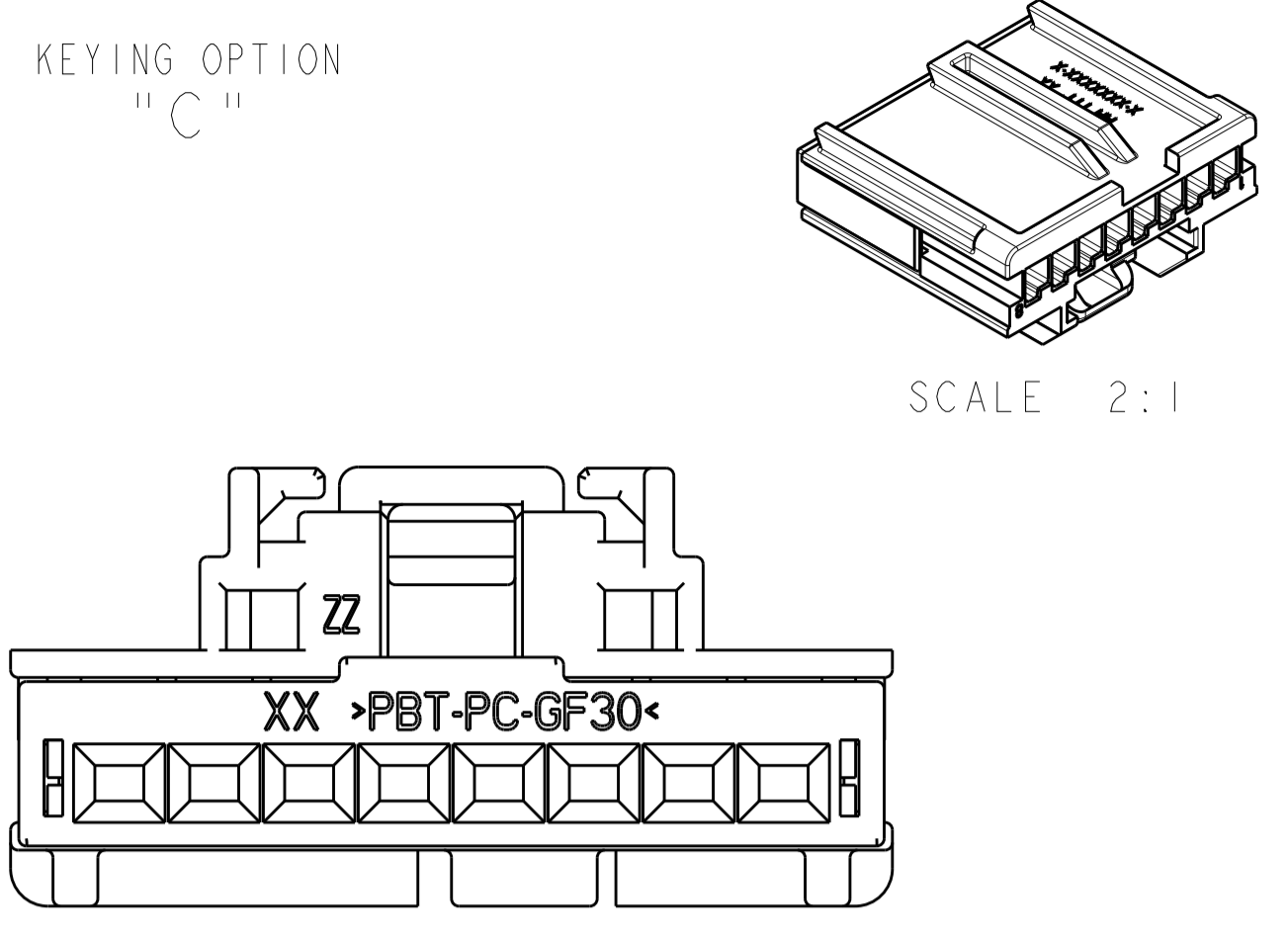
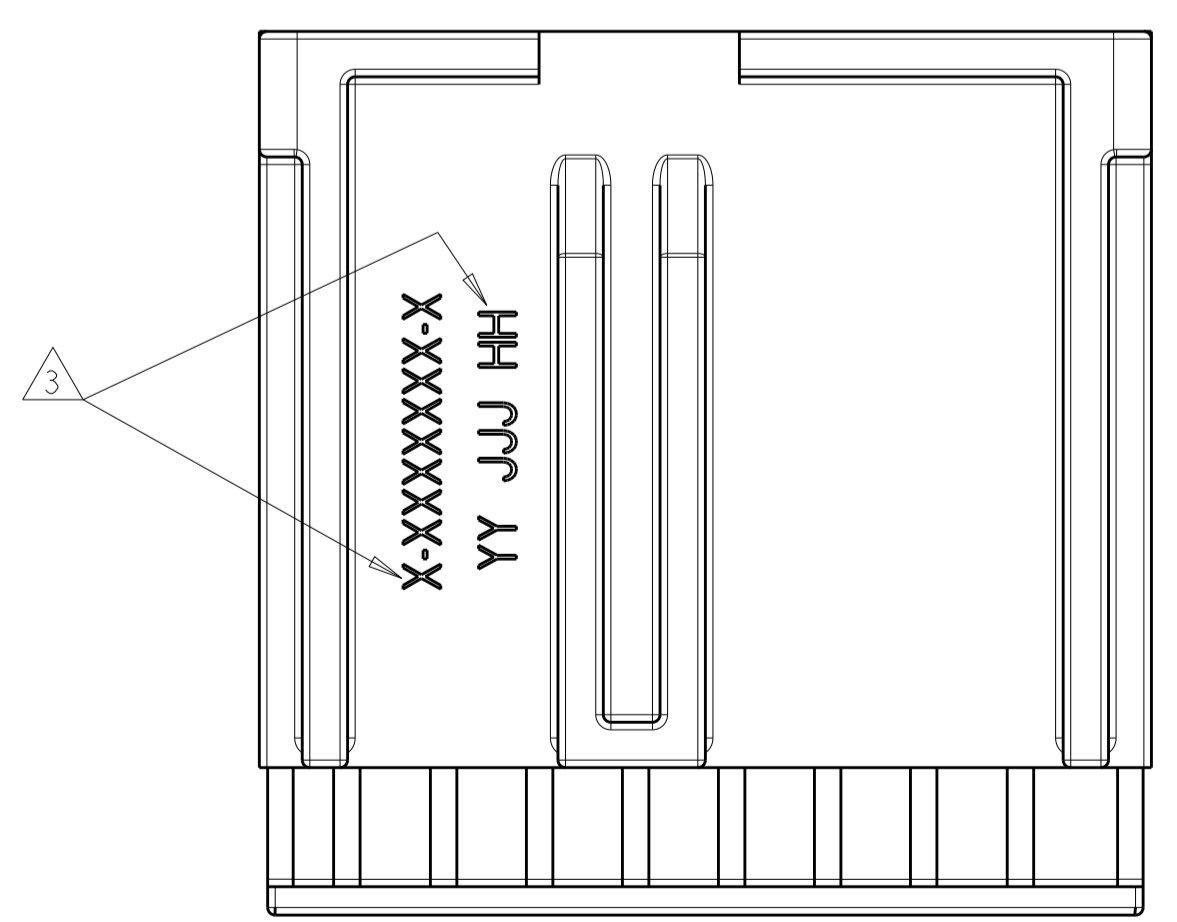
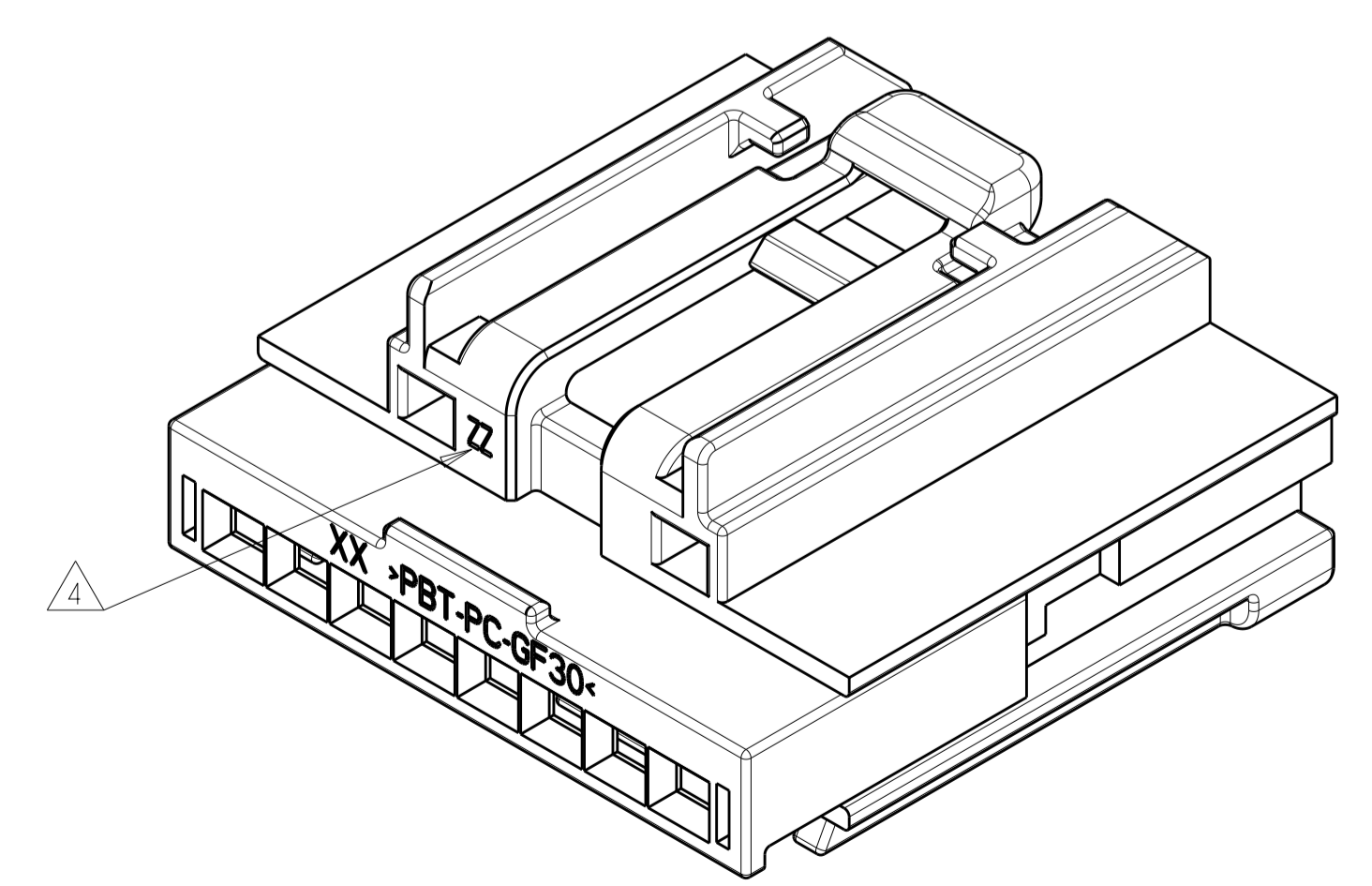
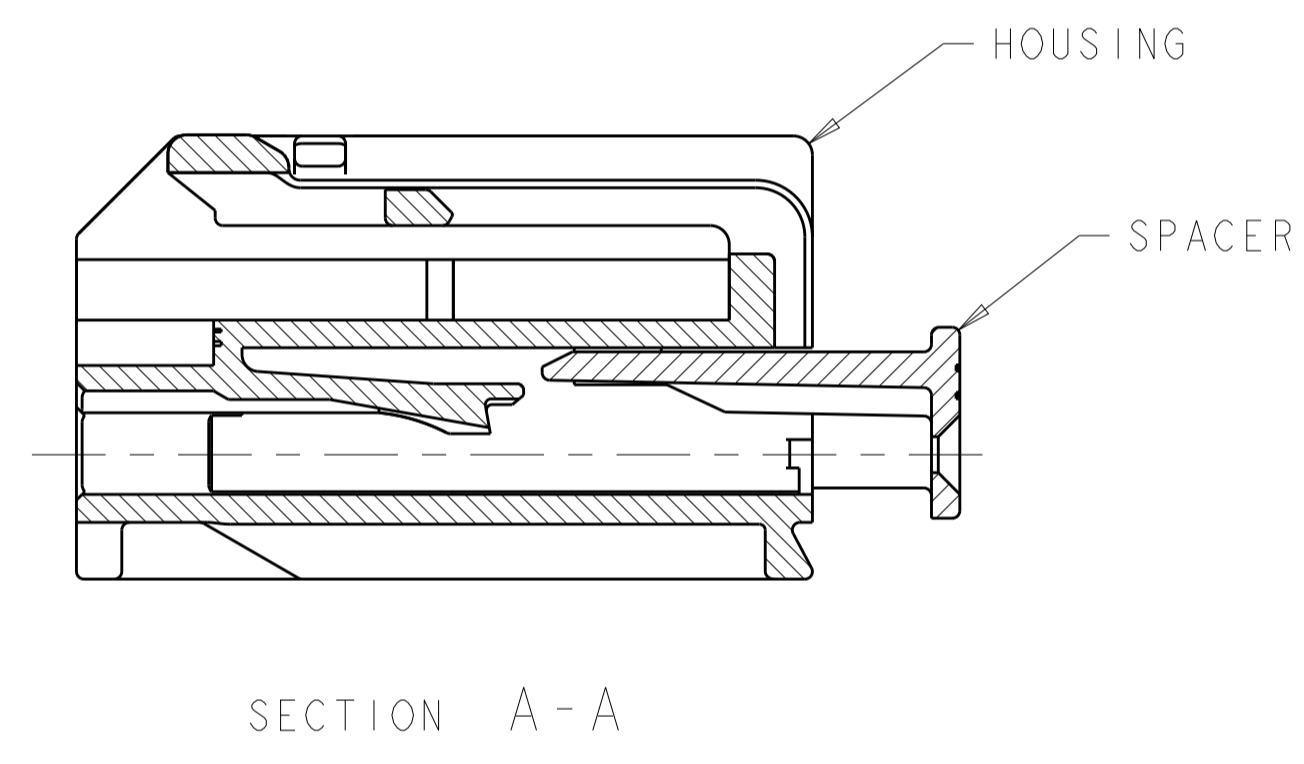
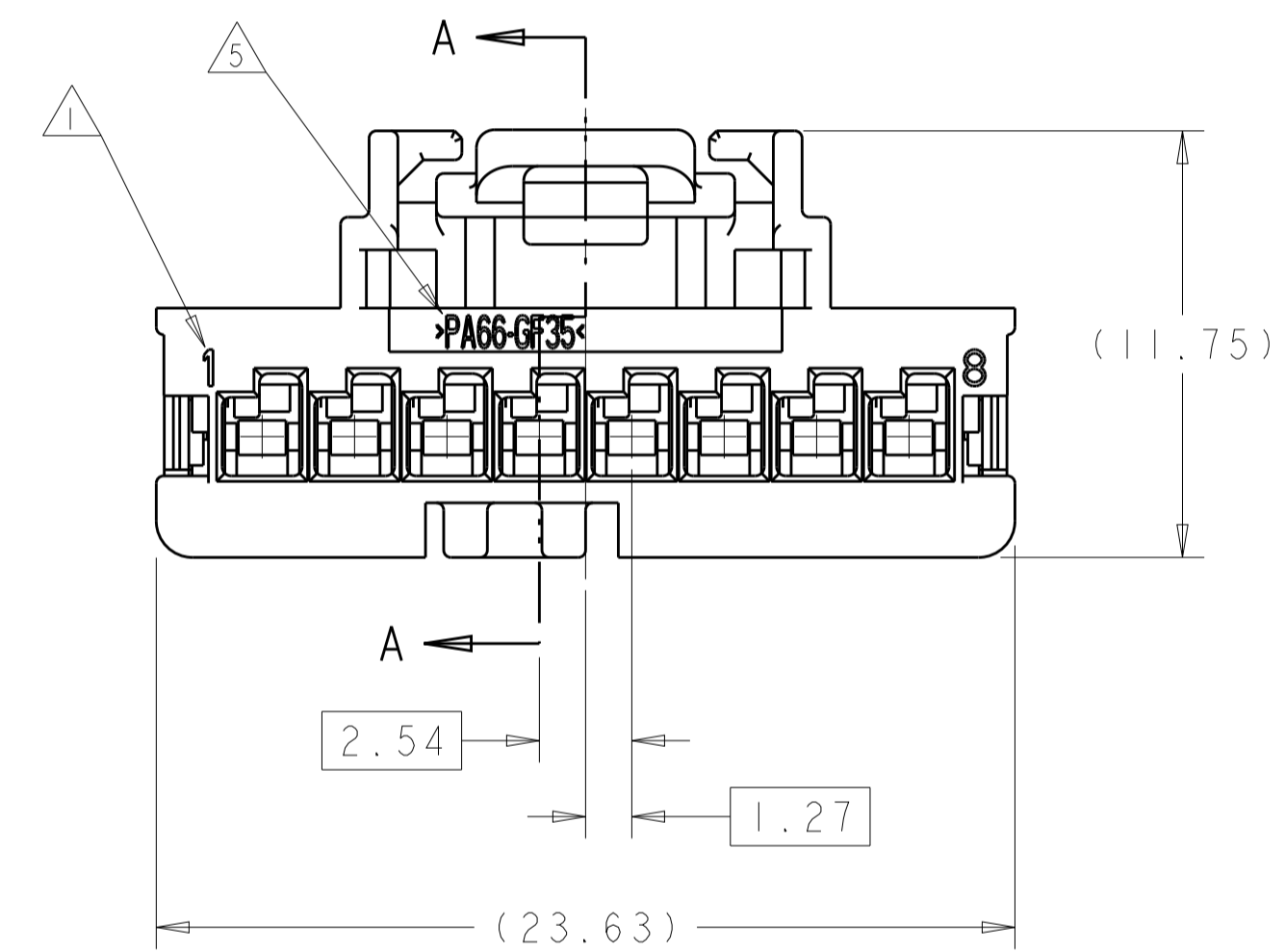
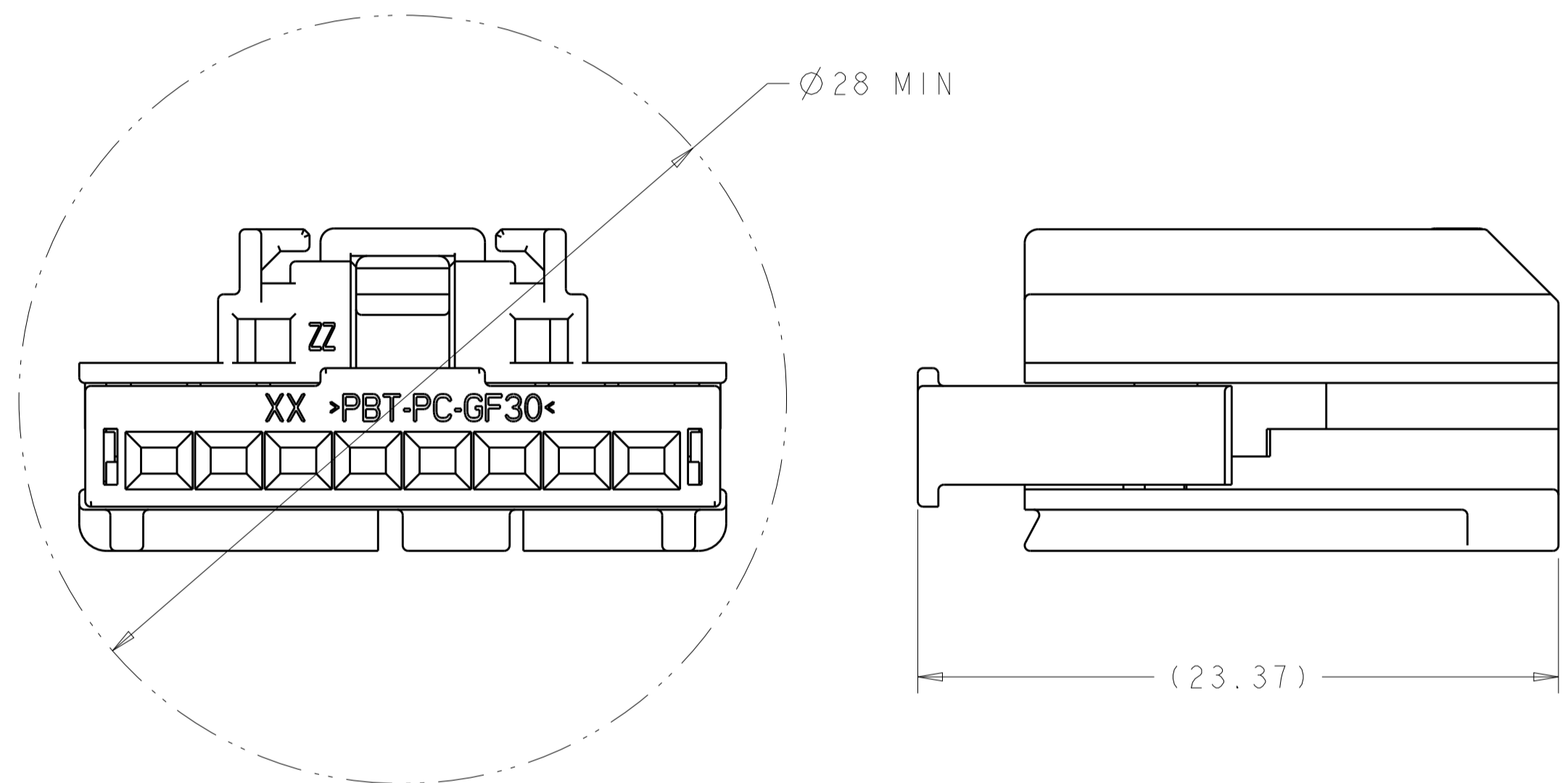


REVISIONS				
P.	LTN	DESCRIPTION	DATE	APVD
B		REVISED PER ECR 07-029464	04JAN2008	DD DZ
B1		REVISED PER ECO 15-006720	07MAY2015	DD RL



- △ TERMINAL CAVITY ID.
- 2. SPACER IS SHIPPED IN PRE-ASSEMBLY POSITION.
- △ 3 PART NUMBER AND DATE CODE.
- △ 4 MOLD CAVITY ID.
- △ 5 MATERIAL IDENTIFICATION.
- 6. PACKAGING: CONNECTOR ASSEMBLIES BULK PACKED IN CARDBOARD BOX.
- 7. DURING SHIPPING AND HANDLING THE TPA MAY BE DISPLACED TO IT'S LOCKED POSITION. THE CONNECTOR CAN BE RETURNED TO IT'S PROPER FUNCTION USING IS SHEET 408-10104.
- 8. APPLICABLE TERMINAL PART NUMBERS (SOLD SEPARATELY) GOLD APPLICATIONS 1393364 AND 1393365. TIN APPLICATIONS 1393366 AND 1393367 FOR TERMINATION AND REELING OPTIONS, SEE DRAWINGS: 1393364, 1393365, 1393366 AND 1393367.



"C"	PBT	RED	NYLON	BLACK	1488903-1
KEY	MATERIAL	COLOR	MATERIAL	COLOR	PART NUMBER
	SPACER		HOUSING		

THIS DRAWING IS A CONTROLLED DOCUMENT.		DWN A. SHUMAN 13NOV2003 CHK D. REVAK 10FEB2004 APVD D. REVAK 10FEB2004	TE Connectivity
DIMENSIONS: mm 	TOLERANCES UNLESS OTHERWISE SPECIFIED: 0 PLC ± 1 PLC ± 2 PLC ± 3 PLC ± 4 PLC ± ANGLES ± FINISH	NAME 1X8 GET, UNSEALED, PLUG ASSEMBLY WITH MODIFIED THUMBPAD SIZE CAGE CODE DRAWING NO A100779C=1488903	
MATERIAL		WEIGHT CUSTOMER DRAWING	RESTRICTED TO SCALE 5:1 SHEET 1 OF 1 REV B1

单击下面可查看定价，库存，交付和生命周期等信息

[>>TE Connectivity\(泰科\)](#)