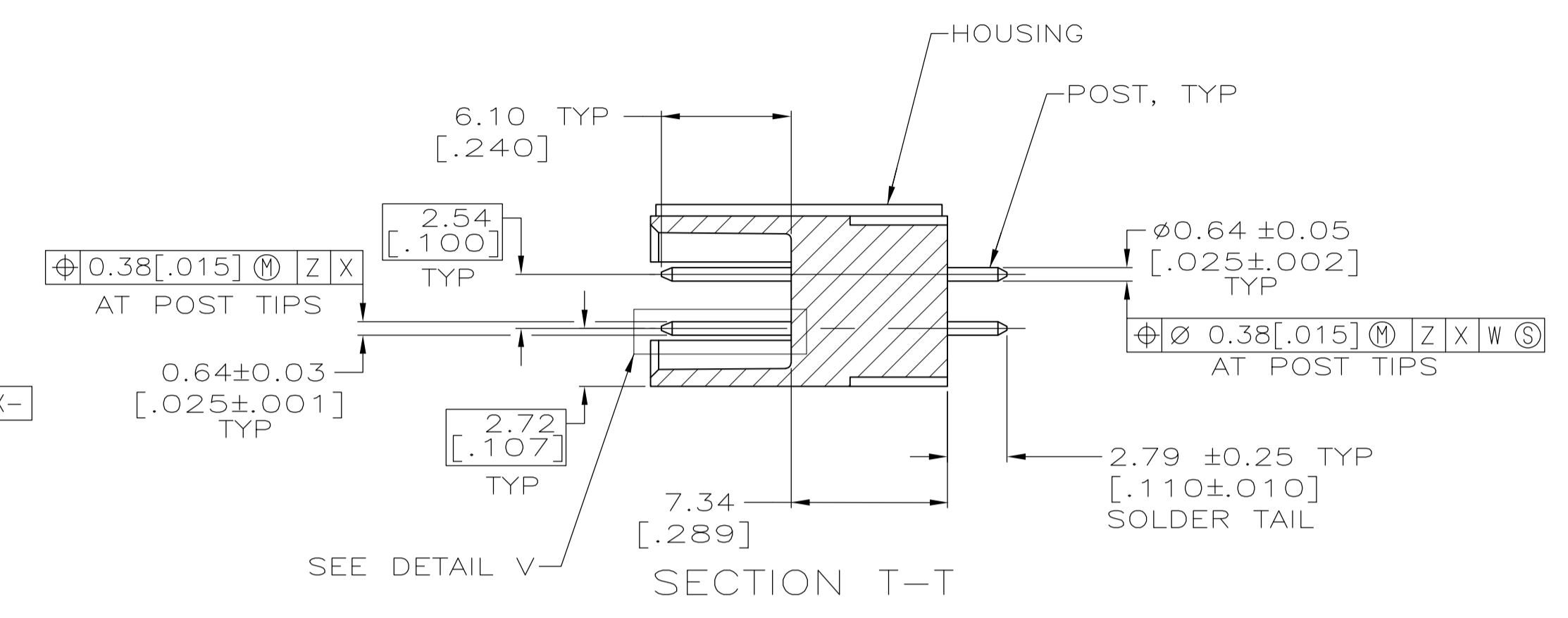


EJECTION LATCHES OMITTED IN THIS VIEW FOR CLARITY



SEE SHEET 2 FOR TABLE & NOTES

THIS DRAWING IS A CONTROLLED DOCUMENT.		DIN L VARELA - 01-07-05	TE Connectivity
DIMENSIONS: mm (INCHES)		CHK S BOLASH 01-07-05	
TOLERANCES UNLESS OTHERWISE SPECIFIED:		APPD M WALMSLEY 01-07-05	NAME
0 PLC ± -			HEADER ASSY, UNIVERSAL, AMP-LATCH
1 PLC ± -			PRODUCT SPEC
2 PLC ± 0.13[.005]			108-40018
3 PLC ± -			APPLICATION SPEC
4 PLC ± -			
ANGLES ± -			
MATERIAL	FINISH	SIZE CASE CODE DRAWING NO	RESTRICTED TO
		A1 00779 C=5499206	
		WEIGHT	
		CUSTOMER DRAWING	SCALE 4:1 SHEET 1 OF 2 REV E1

- ① COORDINATE DIMENSION APPLIES FROM BASIC LOCATION.
- ② 6 POSITION SIZE DOES NOT HAVE SLOTS FOR SNAP-IN POLARIZER (MILITARY POLARIZATION). 10 AND 14 POSITION SIZES CONTAIN ONLY ONE SLOT FOR SNAP-IN POLARIZER (MILITARY POLARIZATION) LOCATED AS SHOWN.
- ③ 6 POSITION SIZE DOES NOT HAVE SLOTS FOR DUAL POLARIZATION. 10 POSITION SIZES CONTAIN ONLY ONE SLOT FOR DUAL POLARIZATION, LOCATED AS SHOWN.
- 4. RECOMMENDED PRINTED CIRCUIT BOARD THICKNESS IS 1.57 [.062].
- ⑤ DISTANCE REQUIRED BY EJECTION LATCHES IN THE OPEN POSITION.
- ⑥ HOUSING & LATCHES: GLASS FILLED NYLON OR POLYESTER, UL 94V-0 RATED, SEE TABLE FOR COLOR. POSTS: PHOS BRONZE OR BRASS.
- ⑦ POSTS: GOLD FLASH OVER PALLADIUM-NICKEL PLATE, 0.76μm[.000030] MIN TOTAL ON THE LOCALIZED PLATE AREA, 2.54μm[.000100] MIN TIN PLATE ON THE SOLDER-TAIL, 1.27μm[.000050] MIN NICKEL UNDERPLATE ON THE ENTIRE POST.  
-OR-  
0.76μm[.000030] MIN GOLD PLATE ON THE LOCALIZED PLATE AREA, 2.54μm[.000100] MIN TIN PLATE ON THE SOLDER-TAIL, 1.27μm[.000050] MIN NICKEL UNDERPLATE ON THE ENTIRE POST.
- ⑧ DATUMS -M- & -N- TO BE ESTABLISHED BY CUSTOMER.
- ⑨ DEVELOPMENT PART NUMBER, REV 1 - NOT RELEASED FOR PRODUCTION.

Color	Dimension	2.76	5.08	22.86	16.76	26.92	22.86	12.70	6	⑨
BLUE		[.110]	[.200]	[.900]	[.660]	[1.060]	[.900]	[.500]		3-5499206-4
BLUE			[2.100]	[2.800]	[2.560]	[2.960]	[2.800]	[2.400]	44	3-5499206-3
OBSOLETE BLUE			[3.100]	[3.800]	[3.560]	[3.960]	[3.800]	[3.400]	64	3-5499206-2
BLUE			[2.900]	[3.600]	[3.360]	[3.760]	[3.600]	[3.200]	60	3-5499206-1
BLUE			[2.400]	[3.100]	[2.860]	[3.260]	[3.100]	[2.700]	50	3-5499206-0
BLUE			[1.900]	[2.600]	[2.360]	[2.760]	[2.600]	[2.200]	40	2-5499206-9
BLUE			[1.600]	[2.300]	[2.060]	[2.460]	[2.300]	[1.900]	34	2-5499206-8
OBSOLETE BLUE			[1.400]	[2.100]	[1.860]	[2.260]	[2.100]	[1.700]	30	2-5499206-7
BLUE			[1.200]	[1.900]	[1.660]	[2.060]	[1.900]	[1.500]	26	2-5499206-6
BLUE			[.900]	[1.600]	[1.360]	[1.760]	[1.600]	[1.200]	20	2-5499206-4
BLUE			[.700]	[1.400]	[1.160]	[1.560]	[1.400]	[1.000]	16	2-5499206-3
BLUE			[.600]	[1.300]	[1.060]	[1.460]	[1.300]	[.900]	14	2-5499206-2
BLUE			[.400]	[1.100]	[.860]	[1.260]	[1.100]	[.700]	10	2-5499206-1
BLACK			[3.100]	[3.800]	[3.560]	[3.960]	[3.800]	[3.400]	64	1-5499206-2
BLACK	4.19	[.165]	[2.900]	[3.600]	[3.360]	[3.760]	[3.600]	[3.200]	60	1-5499206-1
BLACK			[2.400]	[3.100]	[2.860]	[3.260]	[3.100]	[2.700]	50	1-5499206-0
BLACK			[1.900]	[2.600]	[2.360]	[2.760]	[2.600]	[2.200]	40	5499206-9
BLACK			[1.600]	[2.300]	[2.060]	[2.460]	[2.300]	[1.900]	34	5499206-8
BLACK			[1.400]	[2.100]	[1.860]	[2.260]	[2.100]	[1.700]	30	5499206-7
BLACK			[1.200]	[1.900]	[1.660]	[2.060]	[1.900]	[1.500]	26	5499206-6
BLACK			[1.100]	[1.800]	[1.560]	[1.960]	[1.800]	[1.400]	24	5499206-5
BLACK			[.900]	[1.600]	[1.360]	[1.760]	[1.600]	[1.200]	20	5499206-4
BLACK			[.700]	[1.400]	[1.160]	[1.560]	[1.400]	[1.000]	16	5499206-3
BLACK			[.600]	[1.300]	[1.060]	[1.460]	[1.300]	[.900]	14	5499206-2
BLACK			[.400]	[1.100]	[.860]	[1.260]	[1.100]	[.700]	10	5499206-1
HOUSING AND LATCHES COLOR		G	F	E	D	C	B	A	NO OF POS	PART NUMBER

THIS DRAWING IS A CONTROLLED DOCUMENT. DIMENSIONS: mm [INCHES]. TOLERANCES UNLESS OTHERWISE SPECIFIED: 0 PLC ±, 1 PLC ±, 2 PLC ±, 3 PLC ±, 4 PLC ±, ANGLES ±.

APPROVED: J. GERACE, S. BOLASH, M. WALMSLEY. NAME: M. WALMSLEY. PRODUCT SPEC: 108-40018. APPLICATION SPEC: -.

MATERIAL: SEE SHEET 1. FINISH: SEE SHEET 1. WEIGHT: -. SIZE: A1. CAGE CODE: 00779. DRAWING NO: 5499206. RESTRICTED TO: -.

CUSTOMER DRAWING. SCALE: -. SHEET 2 OF 2. REV E1.

单击下面可查看定价，库存，交付和生命周期等信息

[>>TE Connectivity\(泰科\)](#)