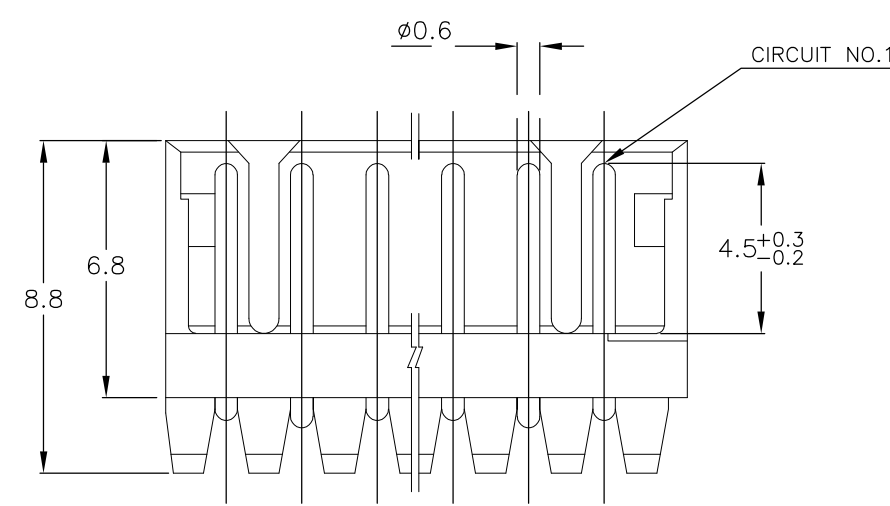
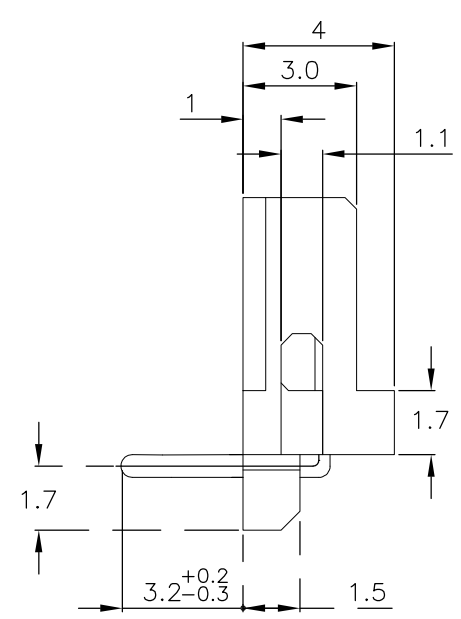
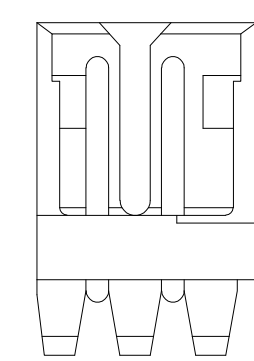
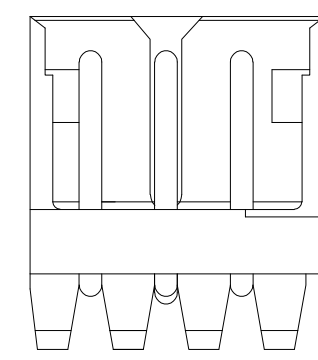
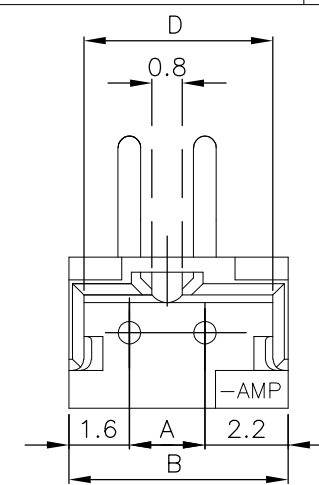
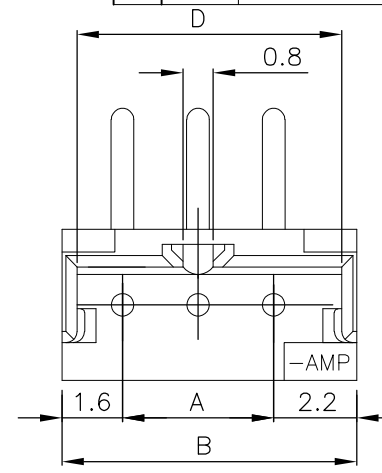
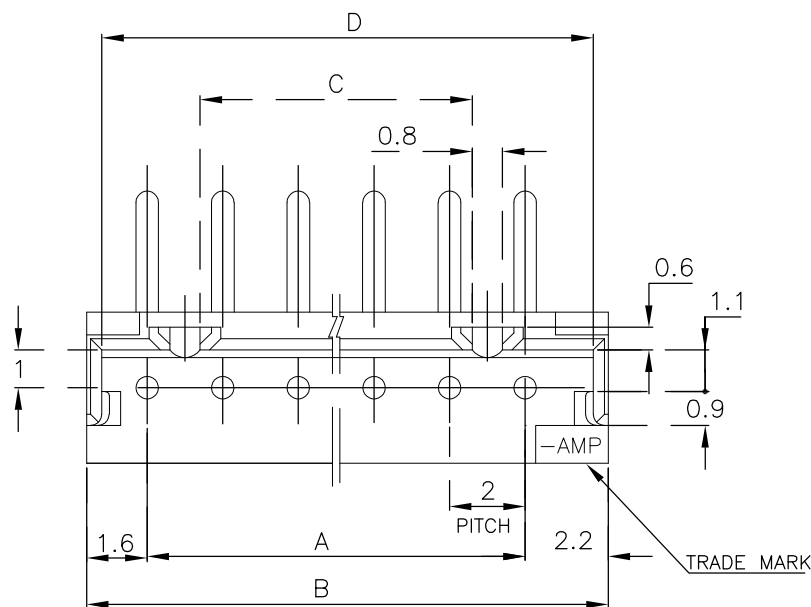


THIS DRAWING IS UNPUBLISHED. RELEASED FOR PUBLICATION

© COPYRIGHT - By - ALL RIGHTS RESERVED.

REVISIONS

| P | LTR      | DESCRIPTION   | DATE    | DWN | APVD |
|---|----------|---------------|---------|-----|------|
| A | RELEASED | ECR-16-004636 | 15DEC12 | T.Q | W.H  |

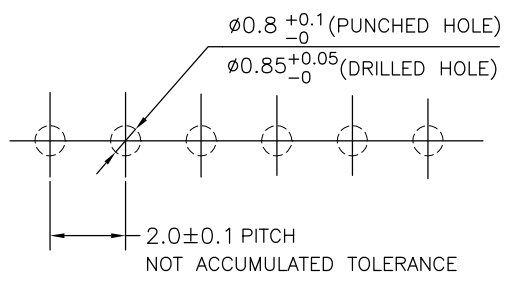


4~15 Pos.

NOTES:

- 1.MATERIAL: HOUSING - NYLON 66 (UL94V-0)  
POST - TIN BRASS
- 2.THIS PRODUCT IS "NO-KINK" VERSION OF P/N 292253
- 3.MATING RECEPTACLE P/N 173977
- 4.OBSOLETED RED COLOR PARTS.

|            |            |            |            |            |      |    |      |      |      |
|------------|------------|------------|------------|------------|------|----|------|------|------|
|            |            |            |            |            | 15   | 28 | 31.8 | 25.2 | 31.0 |
|            |            |            |            |            | 14   | 26 | 29.8 | 23.2 | 29.0 |
|            |            |            |            |            | 13   | 24 | 27.8 | 21.2 | 27.0 |
|            |            |            |            |            | 12   | 22 | 25.8 | 19.2 | 25.0 |
| 9-292143-2 | 7-292143-2 | 5-292143-2 | 3-292143-2 | 1-292143-2 | 11   | 20 | 23.8 | 17.2 | 23.0 |
| 9-         | -1         | 7-         | -1         | 5-         | -1   | 3- | -1   | 1-   | -1   |
| 9-         | -0         | 7-         | -0         | 5-         | -0   | 3- | -0   | 1-   | -0   |
| 8-         | -9         | 6-         | -9         | 4-         | -9   | 2- | -9   | -9   | 9    |
| 8-         | -8         | 6-         | -8         | 4-         | -8   | 2- | -8   | -8   | 8    |
| 8-         | -7         | 6-         | -7         | 4-         | -7   | 2- | -7   | -7   | 7    |
| 8-         | -6         | 6-         | -6         | 4-         | -6   | 2- | -6   | -6   | 6    |
| 8-         | -5         | 6-         | -5         | 4-         | -5   | 2- | -5   | -5   | 5    |
| 8-         | -4         | 6-         | -4         | 4-         | -4   | 2- | -4   | -4   | 4    |
| 8-         | -3         | 6-         | -3         | 4-         | -3   | 2- | -3   | -3   | 3    |
| 8-292143-2 | 6-292143-2 | 4-292143-2 | 2-292143-2 | 292143-2   | 2    | 2  | 5.8  | 3/4  | 5.0  |
| RED        | BLACK      | YELLOW     | BLUE       | NATURAL    | Pos. | A  | B    | C    | D    |



RECOMMENDABLE PCB LAYOUT (PCB THK:0.8-1.6)

TOLERANCES UNLESS OTHERWISE SPECIFIED:

|              |   |       |
|--------------|---|-------|
| 10 > *       | : | ±0.2  |
| 30 > * > 10  | : | ±0.25 |
| 100 > * > 30 | : | ±0.3  |
| ANGLE        | : | ±3°   |

THIS DRAWING IS A CONTROLLED DOCUMENT.

DIMENSIONS: mm

TOLERANCES UNLESS OTHERWISE SPECIFIED:

|        |     |
|--------|-----|
| 0 PLC  | ± - |
| 1 PLC  | ± - |
| 2 PLC  | ± - |
| 3 PLC  | ± - |
| 4 PLC  | ± - |
| ANGLES | ± - |

MATERIAL: SEE NOTE

FINISH: SEE NOTE

DWN: S.XU 31JAN03

CHK: S.YAO 31JAN03

APVD: T. SASAKI 31JAN03

PRODUCT SPEC: 108-60016

APPLICATION SPEC: -

WEIGHT: 0.000000

CUSTOMER DRAWING

SCALE: 5:1

SHEET: 1 OF 1

REV: A

RESTRICTED TO: -

STE TE Connectivity

POST HEADER ASS'Y HORIZONTAL TYPE (AMP CT CONNECTOR 2mm PITCH)

SIZE: A3 CAGE CODE: 00779 DRAWING NO: C-292143

单击下面可查看定价，库存，交付和生命周期等信息

[>>TE Connectivity\(泰科\)](#)