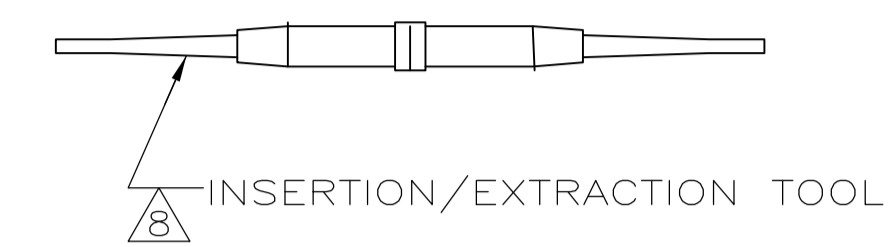
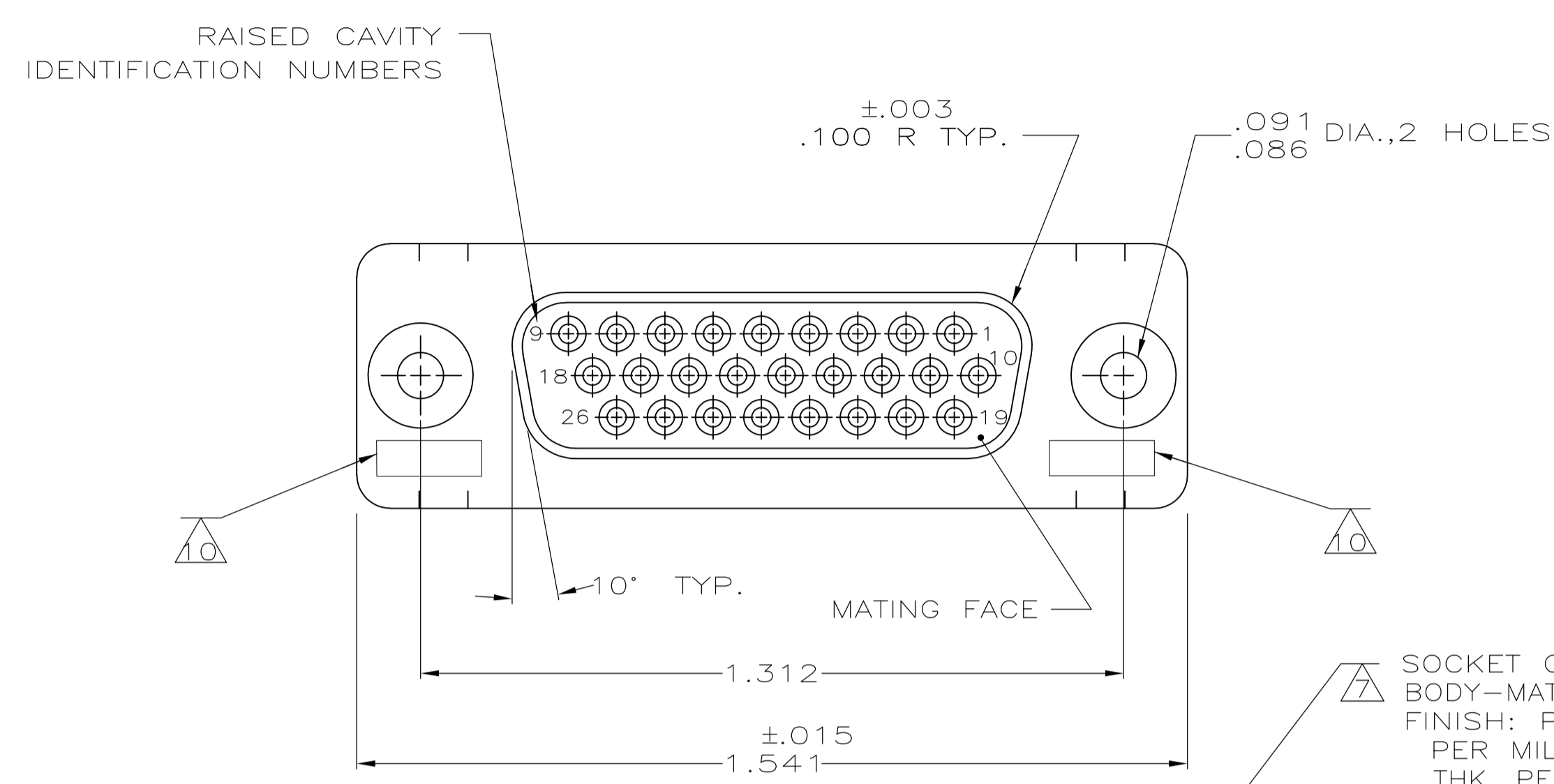
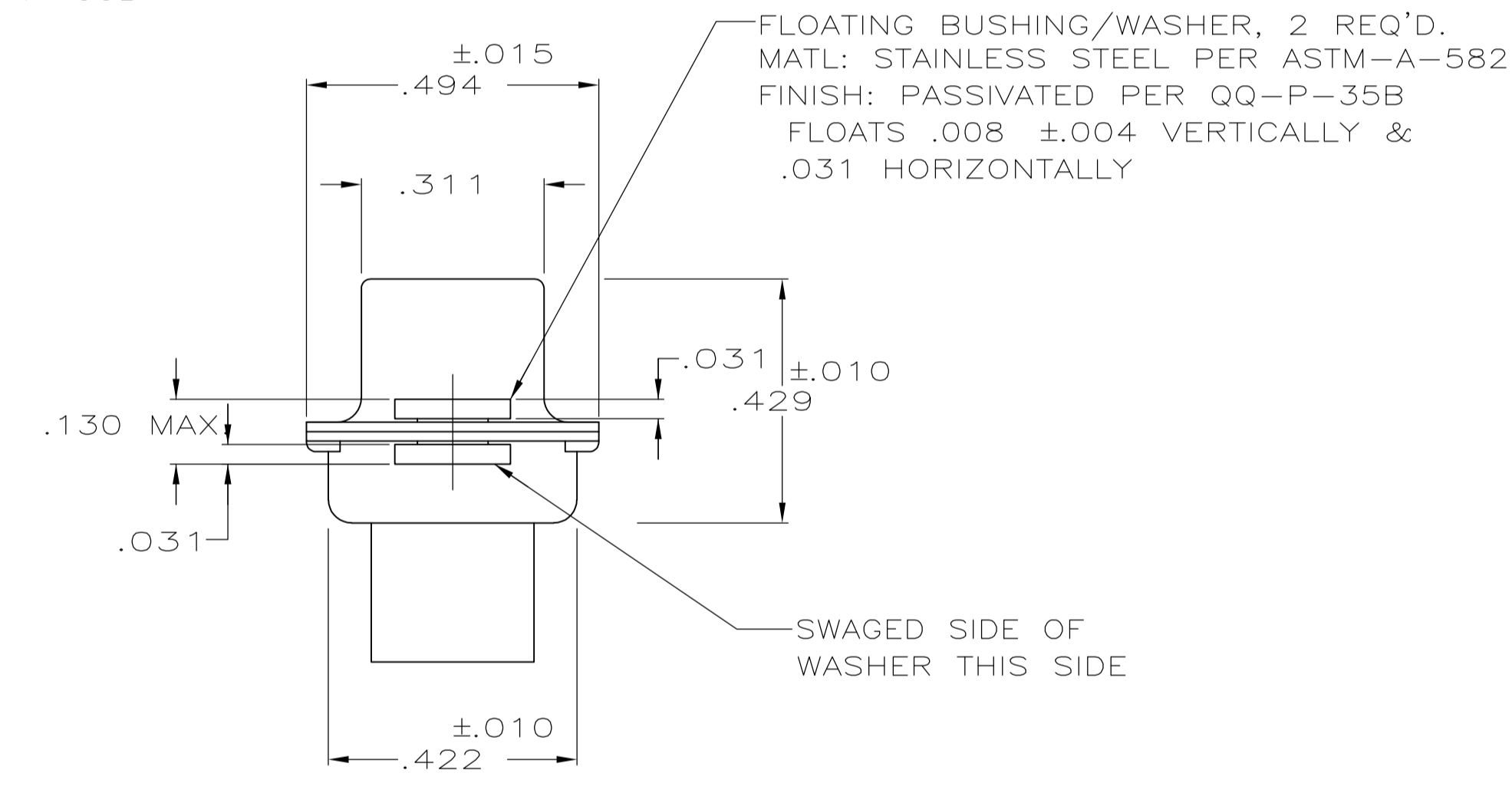
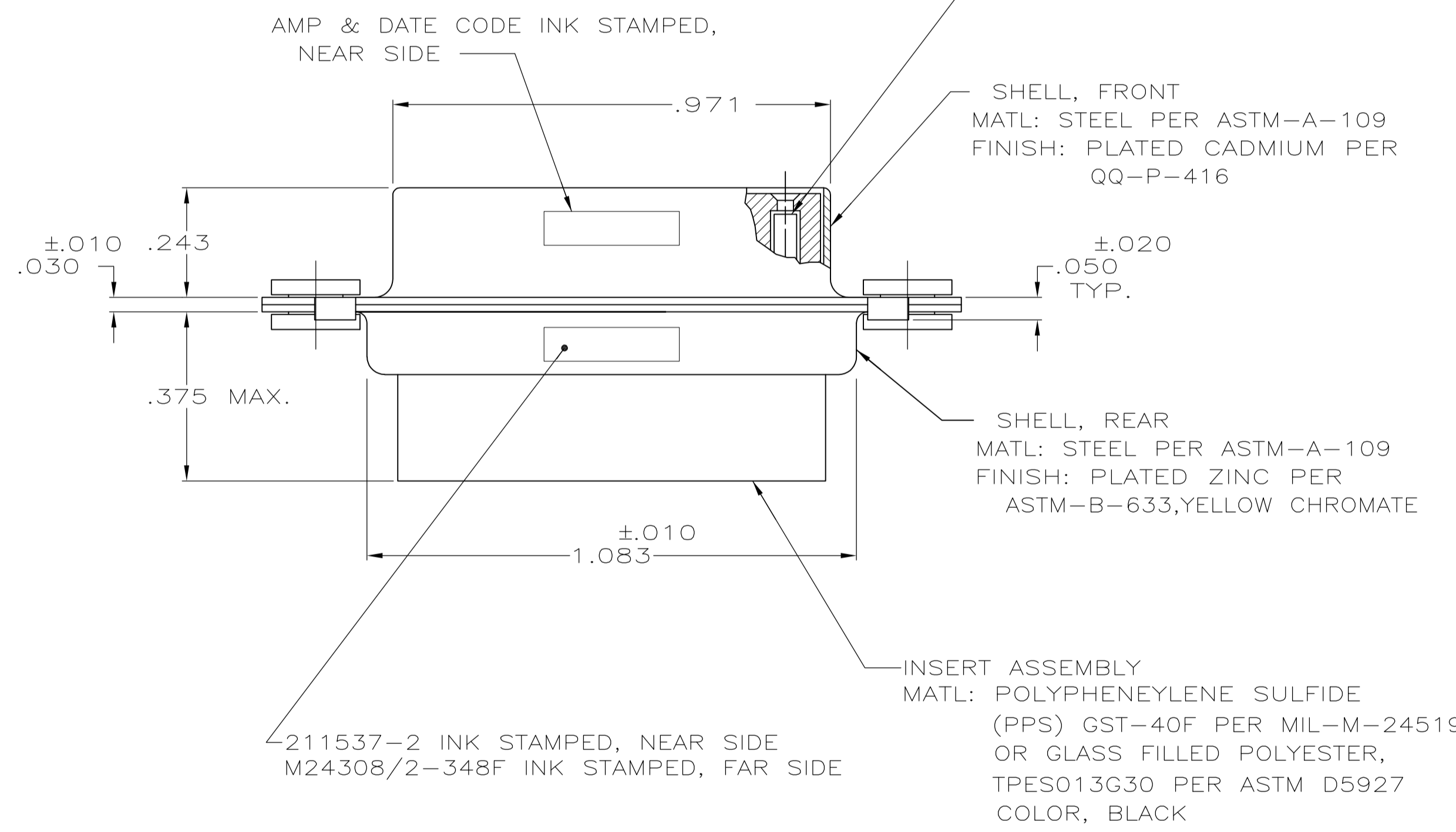


LOC		DIST		REVISIONS			
DF	DO	REV	DESCRIPTION	DATE	BY	APPV	
E		1	REVISED PER ECO-10-025541	24DEC10	SK	RL	



SOCKET CONTACT, SIZE 22, 26 REQD.  
 BODY-MATL: BERYLLIUM COPPER PER QQ-C-530  
 FINISH: PLATED GOLD .000050 MIN. THK.  
 PER MIL-G-45204 OVER NICKEL .000050 MIN.  
 THK. PER QQ-N-290  
 HOOD-MAT'L: STAINLESS STEEL PER QQ-S-766  
 FINISH: PASSIVATED PER QQ-P-35B



1. THIS RECEPTACLE WILL MATE WITH ANY 26 POSN., SIZE 2 PLUG IN AMPLIMITE SERIES.
2. MAXIMUM WIRE INSULATION TO BE USED WITH THIS RECEPTACLE IS .054 DIA.
3. SST RETENTION CLIPS ARE INCLUDED IN INSERTS.

- 4 PACKAGE STAMPED M24308/2-488F & AMP P/N 211537-1
- 5 PACKAGE STAMPED M24308/2-348F & AMP P/N 211537-2
- 6 PACKAGE STAMPED M24308/2-359F & AMP P/N 211537-3
- 7 AMP P/N 204351-1; MIL P/N 57-354, INCLUDED IN KIT
- 8 AMP P/N 91067-1; MIL P/N M81969/1-04
- 9 CONNECTOR SUPPLIED WITHOUT CONTACTS; SHOWN FOR ILLUSTRATION ONLY.
- 10 UL/CSA DESIGNATION STAMPED IN THIS AREA.

DESCRIPTION	PART NO
SUPSD BY 204538-2 & 91067-1	211537-3
SAME AS -1 EXCEPT: 6, 7, 8	211537-2
AS SHOWN	211537-1

THIS DRAWING IS A CONTROLLED DOCUMENT.		DIN 7-1-85		Tyco Electronics Corporation	
DIMENSIONS: INCHES		D ERDMAN 9-20-85		Harrisburg, PA 17105-3608	
TOLERANCES UNLESS OTHERWISE SPECIFIED:		CHK R. GRZYBOWSKI		NAME	
0. PLC ± -		G. SACUNAS 9-20-85		RECEPTACLE ASS'Y., AMPLIMITE, 26 POSN., SIZE 2, SERIES 90, W/DUAL FLOAT BUSHINGS	
1. PLC ± -		PRODUCT SPEC		SIZE	
2. PLC ± -		APPLICATION SPEC		CAGE CODE	
3. PLC ± .005		WEIGHT		DRAWING NO	
4. PLC ± -		CUSTOMER DRAWING		A1 00779	
ANGLES ± -		SCALE		SHEET	
MATERIAL SEE CALLOUT		FINISH SEE CALLOUT		1 OF 1	
				REV E	

单击下面可查看定价，库存，交付和生命周期等信息

[>>TE Connectivity\(泰科\)](#)