

4

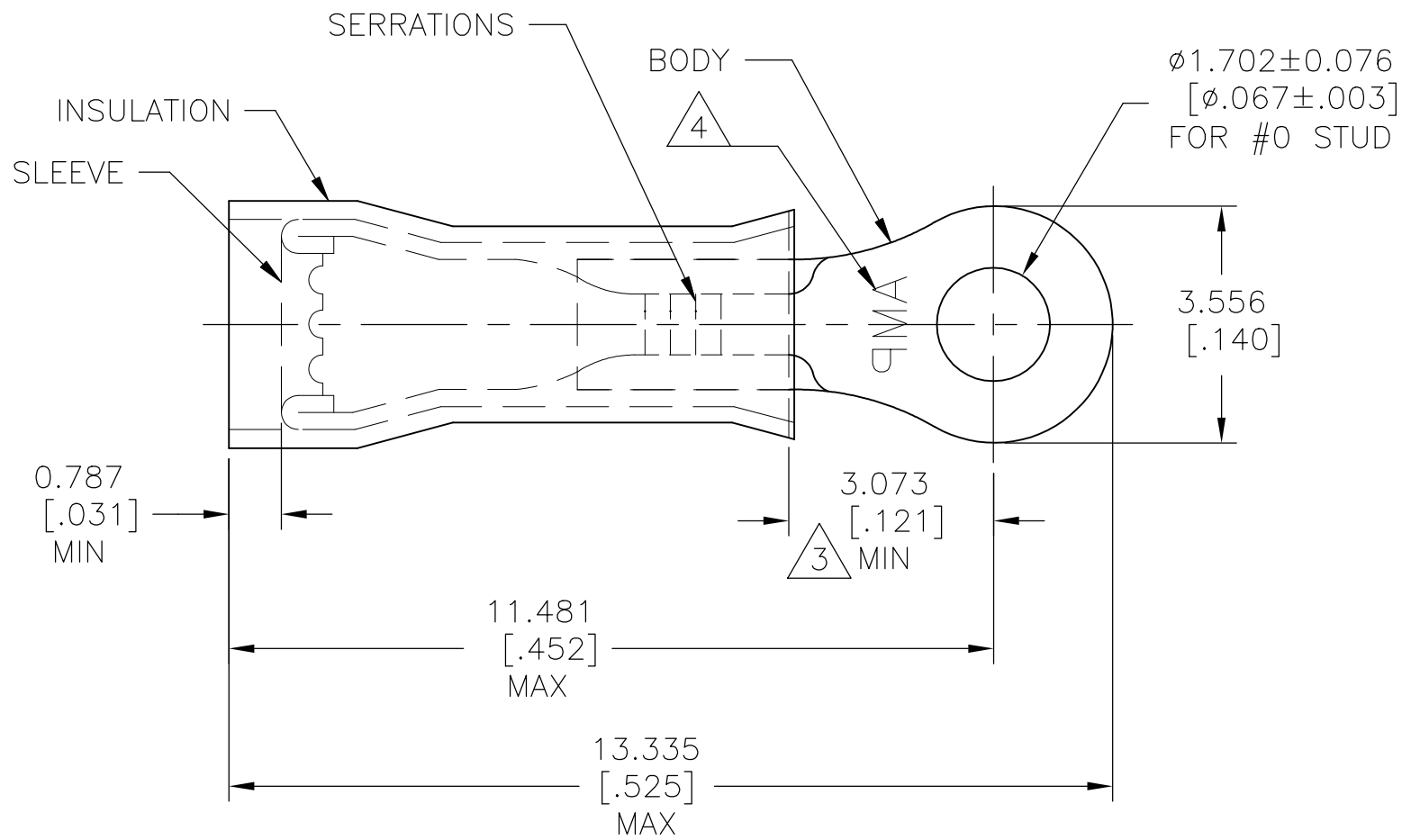
3

2

1

THIS DRAWING IS UNPUBLISHED. RELEASED FOR PUBLICATION  
 © COPYRIGHT - TE Connectivity Ltd. ALL RIGHTS RESERVED.

REVISIONS				
P	LTR	DESCRIPTION	DATE	APVD
H1		REVISED PER ECR-09-017960	26AUG09	HMR JR
H2		REVISED PER ECO-18-006974	08MAY2018	RS DR



- 1 FOR  $\phi 1.270[\phi.050]$  TO  $\phi 2.083[\phi.082]$  WIRE INSULATION DIA
- 2 BODY MATERIAL THK:  $0.457 \pm 0.051[.018 \pm .002]$
- 3 APPLIES FROM THE EDGE OF THE METAL BARREL TO THE CENTER OF THE STUD
- 4 STAMP AMP APPROX AS SHOWN

QTY	DESCRIPTION	MATERIAL & FINISH	PART NO
4000	321013 ON TAPE	BODY: COPPER (ASTM-B152) TIN PL (ASTM-B545)	2-321013-1
1000	LOOSE PIECE	SLEEVE: COPPER (ASTM-B152) INSULATION: YELLOW NYLON	321013

AMP INCORPORATED  
CUSTOMER SERVICE SYSTEMS

FOR ADDITIONAL PRODUCT INFORMATION OR COPIES OF DRAWINGS AND TECHNICAL DOCUMENTS	PRODUCT INFORMATION CENTER 1-800-522-6752
FOR APPLICATION TOOLING INFORMATION	TOOLING ASSISTANCE CENTER 1-800-722-1111
FOR ORDER ENTRY	1-800-526-5142

MAX RECOMMENDED OPERATING TEMPERATURE: 105°C [221°F]
VOLTAGE RATING: 300 V MAX
CIRCULAR MIL AREA: 0.10mm <sup>2</sup> -0.41mm <sup>2</sup> [202-810]

THIS DRAWING IS A CONTROLLED DOCUMENT.		DWN 26AUG09 RAGHAVENDRA
DIMENSIONS: mm [INCHES]		CHK 26AUG09 JEFF RUTH
TOLERANCES UNLESS OTHERWISE SPECIFIED:		APVD 26AUG09 TOM MICHIELUTTI
0 PLC ± -		PRODUCT SPEC
1 PLC ± -		APPLICATION SPEC
2 PLC ± -		114-2157
3 PLC ± 0.127[.005]		WEIGHT
4 PLC ± -		CUSTOMER DRAWING
ANGLES ± 5°		SCALE 10:1
MATERIAL SEE TABLE	FINISH SEE TABLE	SHEET 1 OF 1

TE Connectivity Ltd.			
NAME WIRE TERMINAL PIDG - RING TONGUE WIRE SIZE: 26 - 22 AWG			
SIZE A3	CAGE CODE 00779	DRAWING NO C-321013	RESTRICTED TO -
REV H2		SHEET 1 OF 1	

单击下面可查看定价，库存，交付和生命周期等信息

[>>TE Connectivity\(泰科\)](#)