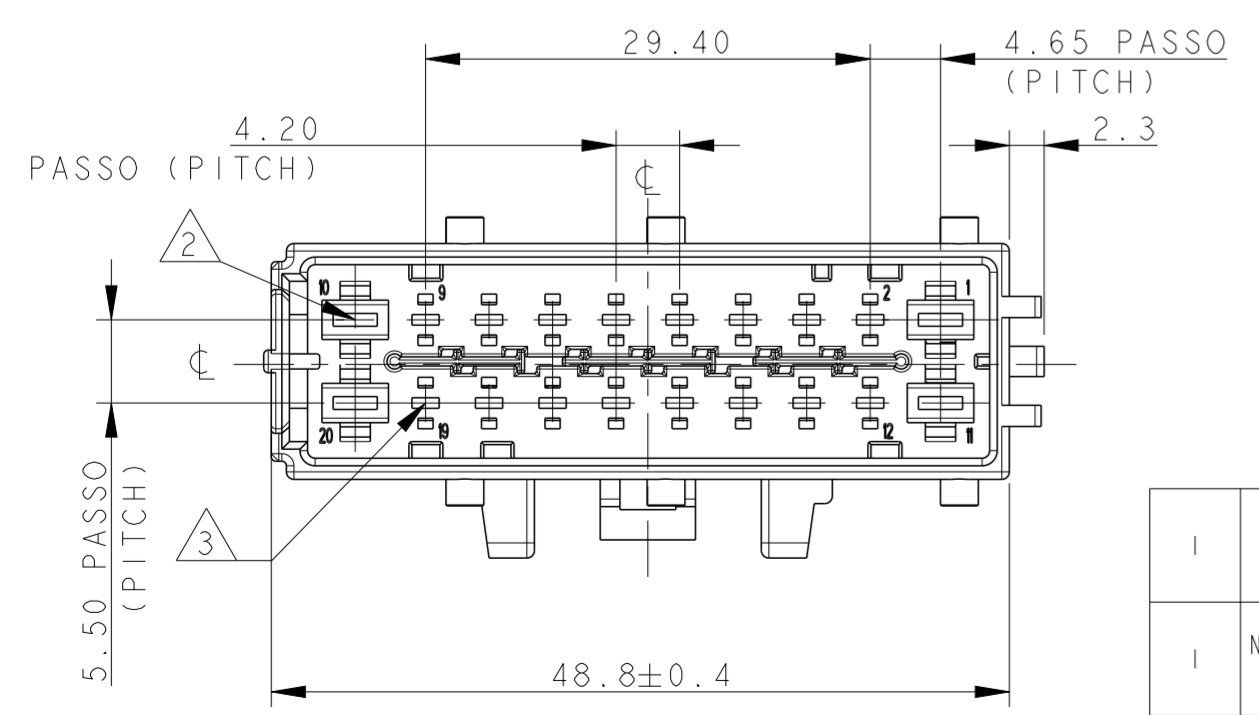
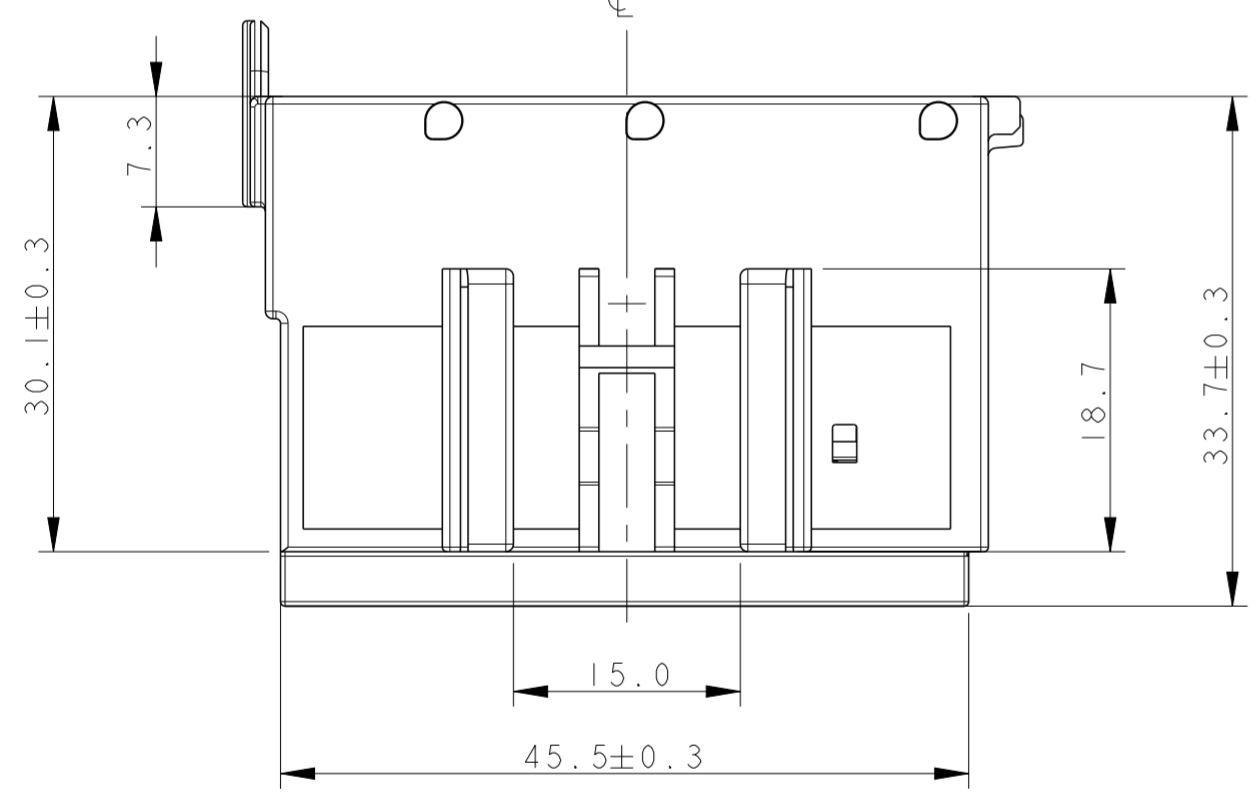
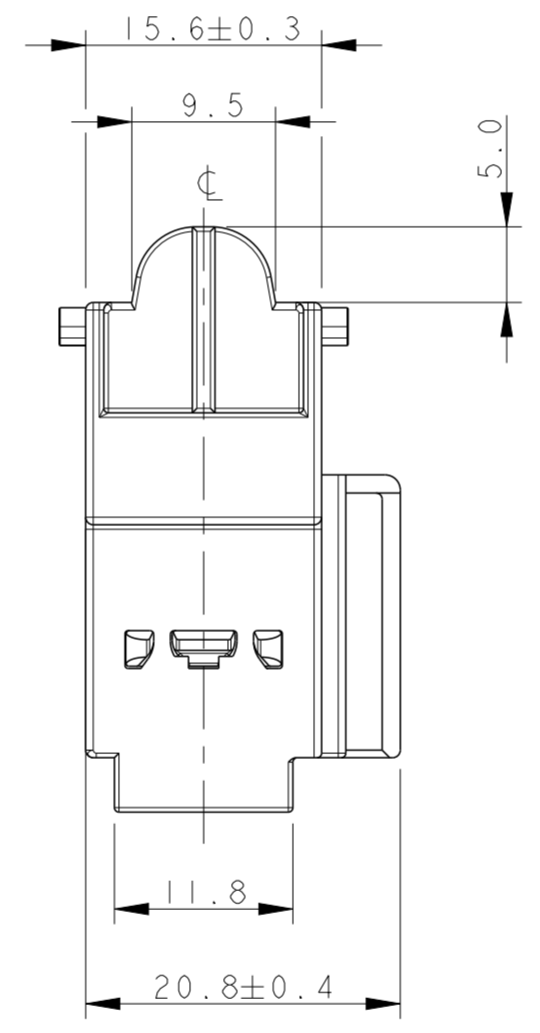
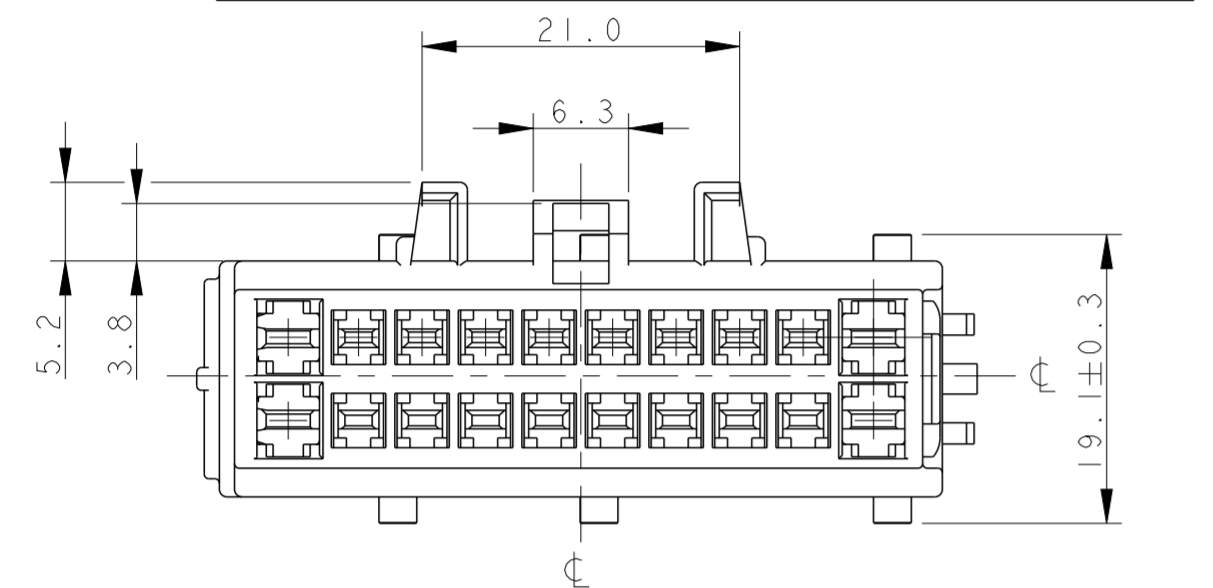
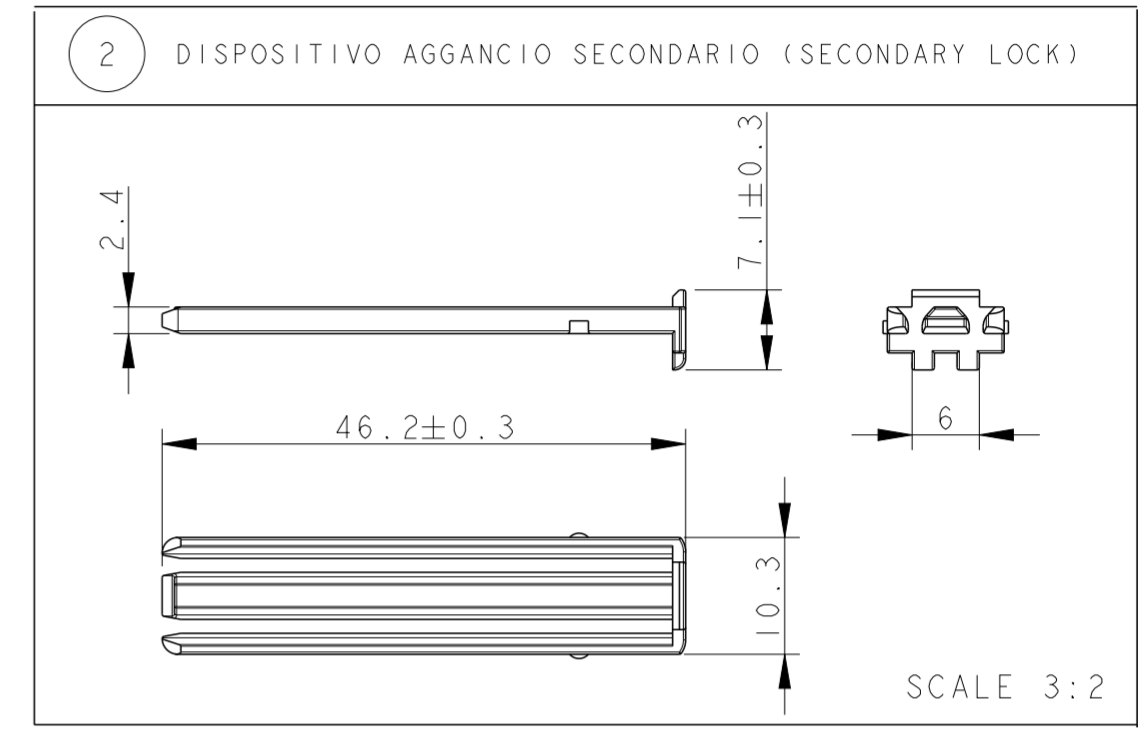
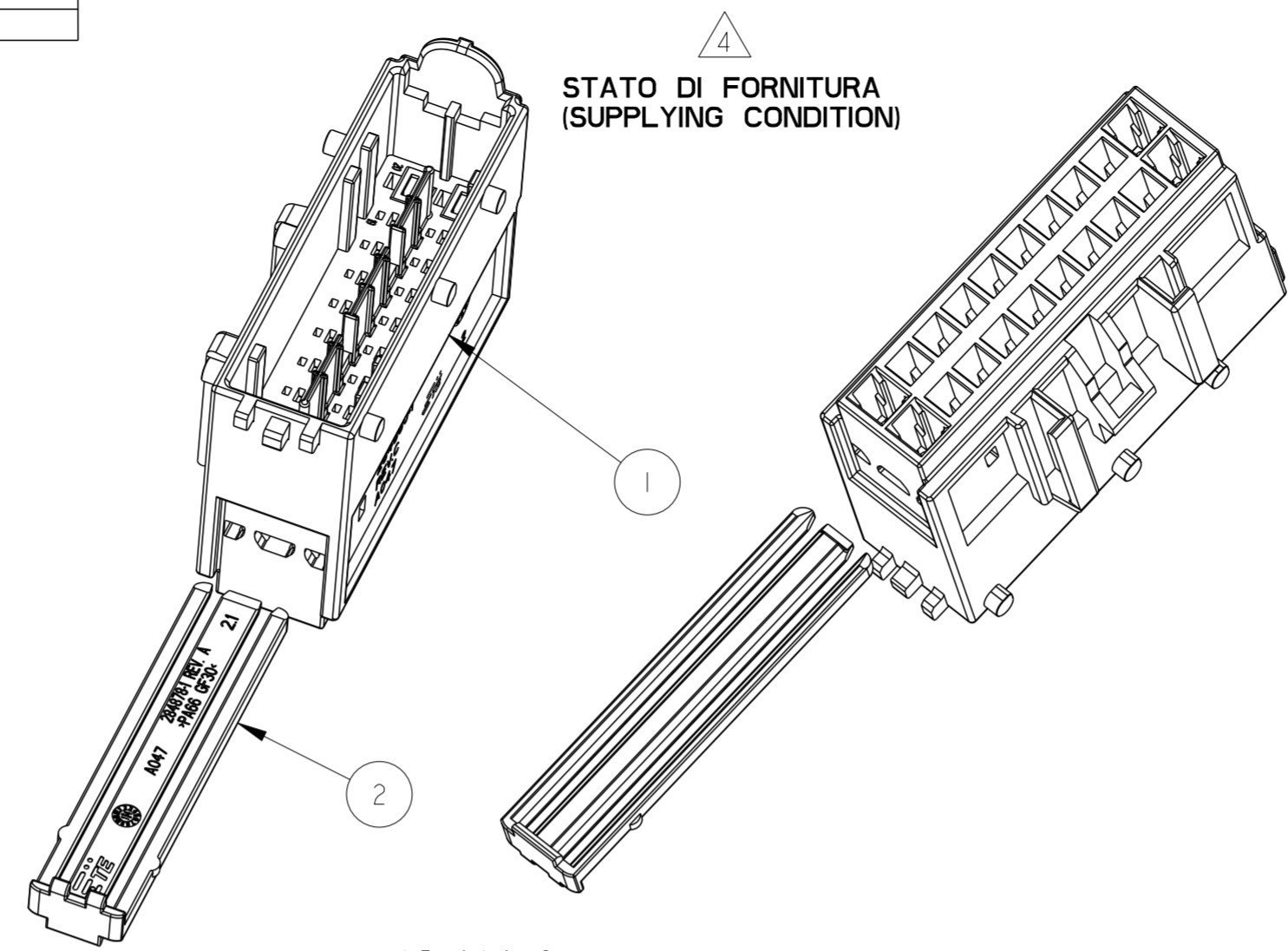
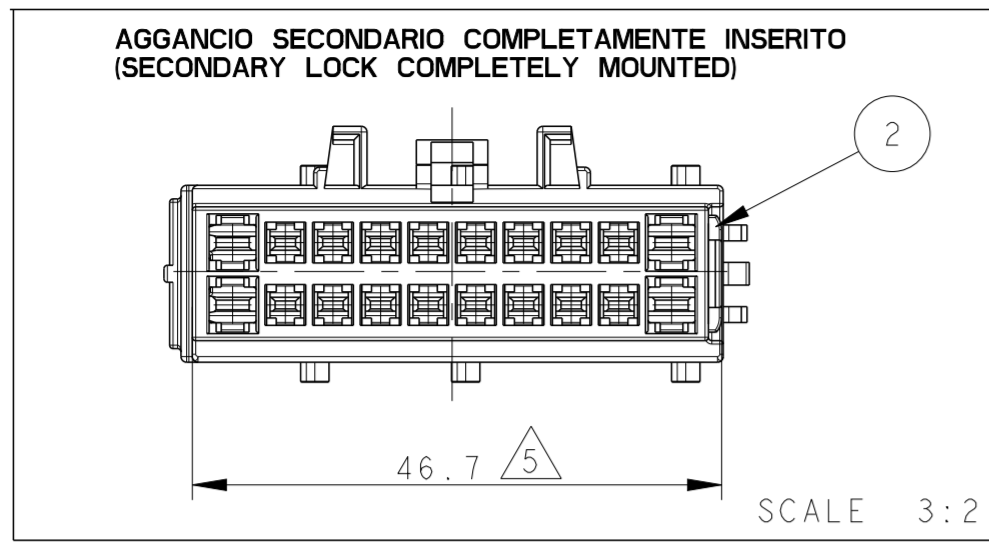


THIS DRAWING IS UNPUBLISHED. RELEASED FOR PUBLICATION 2002
 © COPYRIGHT 2002 BY - ALL RIGHTS RESERVED.

REVISIONS					
P	LTR	DESCRIPTION	DATE	DWN	APVD
B1		ECR-15-011013	29JUL2015	M.P.	M.G.
B2		REVISED PER ECO-17-001706	10FEB2017	C.A	M.G
B3		REVISED (ECO-17-002568)	23FEB2017	M.G.	M.G.
C		CHANGED GLASS FIBER % ON HOUSING (ECO-17-018409)	15DEC2017	M.G.	M.G.



- 1) IL CONNETTORE SI ACCOPPIA CON LA CONTROPARTE P/N 284875 (CONNECTOR MATEABLE WITH COUNTERPART P/N 284875)
- 2) N.RO 4 CAVITA' ADATTE PER CONTATTI MASCHIO 2.8x0.6mm TYP.A STAGNATI (N. 4 CAVITIES SUITABLE FOR 2.8x0.6mm TYP. A TAB CONTACTS TIN PLATED)
 P/N 2-964294-1 : ADATTO PER RANGO FILO 0.5-1.0 sqmm (SUITABLE FOR 0.5-1.0 sqmm WIRE SECTION)
 P/N 2-964296-1 : ADATTO PER RANGO FILO > 1.0-2.5 sqmm (SUITABLE FOR > 1.0-2.5 sqmm WIRE SECTION)
- 3) N.RO 16 CAVITA' ADATTE PER CONTATTI MASCHIO 1.6x0.8mm TYP.A STAGNATI (N. 16 CAVITIES SUITABLE FOR 1.6x0.8mm TYP. A TAB CONTACTS TIN PLATED)
 P/N 964265-2 : ADATTO PER RANGO FILO 0.35-0.5 sqmm (SUITABLE FOR 0.35-0.5 sqmm WIRE SECTION)
 P/N 964267-2 : ADATTO PER RANGO FILO > 0.5-1.0 sqmm (SUITABLE FOR > 0.5-1.0 sqmm WIRE SECTION)
 P/N 1241846-2 : ADATTO PER RANGO FILO > 1.0-1.5 sqmm (SUITABLE FOR > 1.0-1.5 sqmm WIRE SECTION)
- 4) IL CONNETTORE VIENE FORNITO CON AGGANCIAMENTO SECONDARIO NELLA STESSA SCATOLA IN PARI QUANTITA' (CONNECTOR IS SUPPLIED WITH SECONDARY LOCK IN THE SAME BOX IN SAME Q.TY)
- 5) AGGANCIAMENTO SECONDARIO COMPLETAMENTE INSERITO, DOPO INSERIZIONE DI CONTATTI IN CAVITA' (SECONDARY LOCK COMPLETELY MOUNTED, AFTER CONTACTS INSERTION INTO CAVITIES)
- 6) LE POLARIZZAZIONI -3 E -4 DIFFERISCONO DALLE -1 E -2 SOLAMENTE PER LA POSIZIONE DEL SISTEMA DI AGGANCIAMENTO A PANNELLO (POLARIZATIONS -3 AND -4 ARE DIFFERENT FROM -1 AND -2 ONLY FOR THE PANEL HOOK DEVICE POSITION)

P/N 284879-1 COME MOSTRATO (CODICE A)
(P/N 284879-1 AS SHOWN (CODING A))
VEDI FOGLIO 2 PER LE ALTRE POLARIZZAZIONI
(SEE SHEET 2 FOR OTHER POLARIZATIONS)

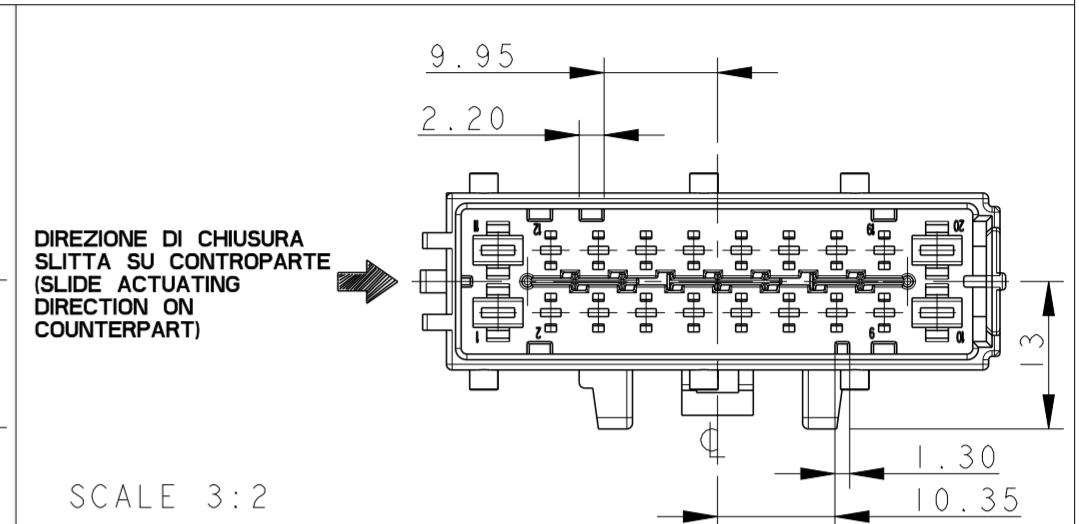
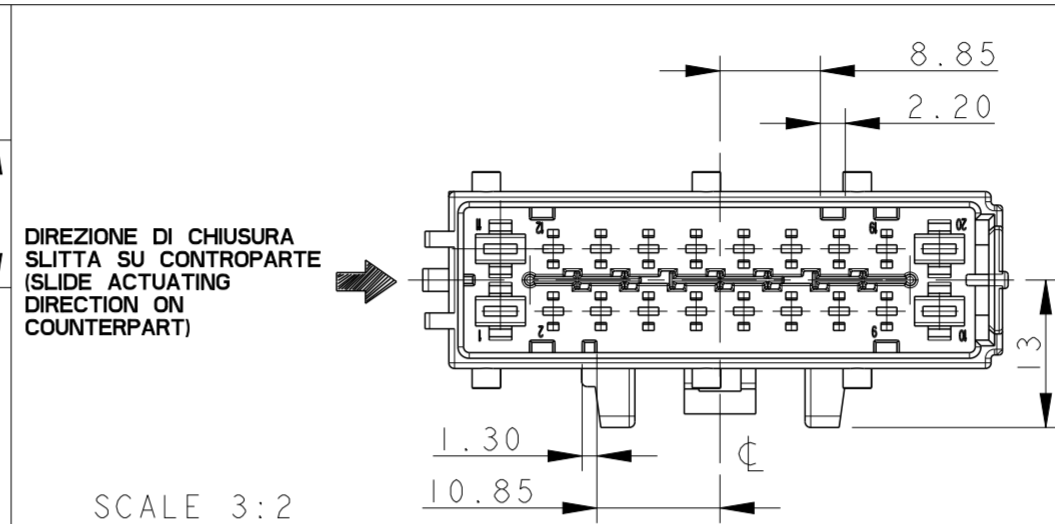
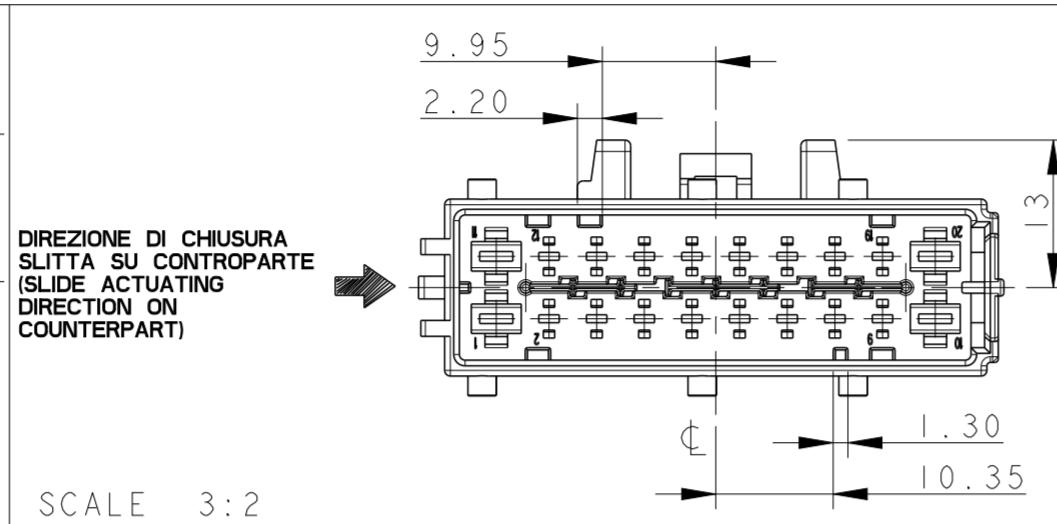
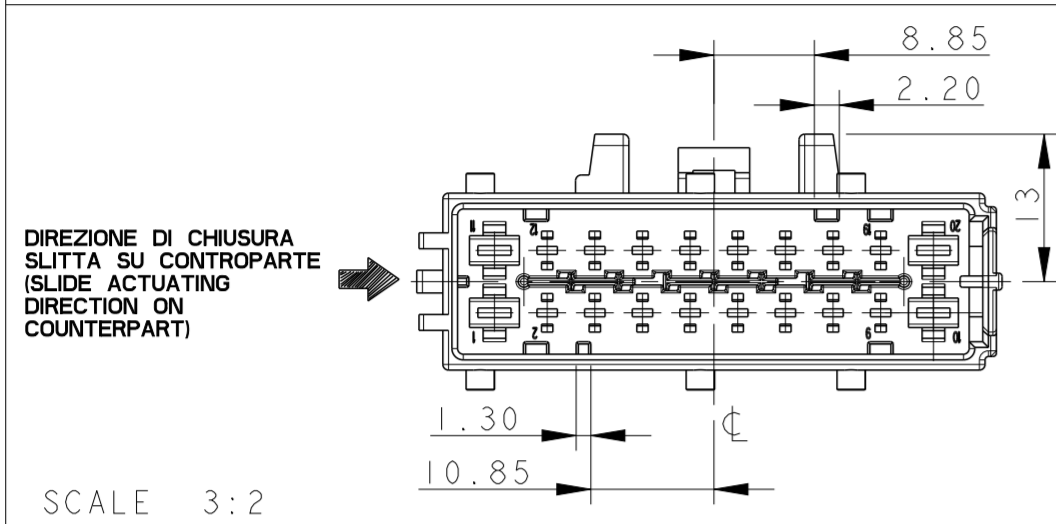
Q.TA' (Q.TY)	COLORE (COLOUR)	MATERIALE (MATERIAL)	DESCRIZIONE (DESCRIPTION)	NO. (ITEM)
1	ROSSO (RED)	PA66 GF30	DISPOSITIVO AGGANCIAMENTO SECONDARIO (SECONDARY LOCK)	2
1	NERO, GRIGIO, MARRONE (BLACK, GREY, BROWN)	PA66 GF20	BLOCCHETTO PORTACONTATTI (HOUSING)	1

THIS DRAWING IS A CONTROLLED DOCUMENT.

DIMENSIONS: mm	TOLERANCES UNLESS OTHERWISE SPECIFIED:	DWN M. POLIZZI 25JUL2002	TE Connectivity NAME AMP MCP 1.5/2.8 TAB HOUSING 20 POS. ASS'Y - UNSEALED SIZE A2 CAGE CODE - DRAWING NO C-284879 RESTRICTED TO -
	0 PLC ±0.3	CHK O. CANUTO 25JUL2002	
	1 PLC ±0.2	APVD A. GENIA 25JUL2002	
	2 PLC ±0.1	PRODUCT SPEC 108-20243	
	3 PLC ±0.1	APPLICATION SPEC 411-20071	
	4 PLC ±		
	ANGLES ±1°		
MATERIAL SEE TABLE VEDI TABELLA	FINISH -	Customer Drawing	SCALE 2:1 SHEET 1 OF 4 REV C

REVISIONS				
P	LTR	DESCRIPTION	DATE	APVD
-	-	SEE SHEET 1	-	-

CODICI DI POLARIZZAZIONE (POLARIZATION CODINGS)



P/N 284879-1 REV. C
 BLOCCHETTO COLORE NERO
 (HOUSING BLACK COLOUR)
 CODICE A (CODING A)
 CONTROPARTE ADATTA:
 (SUITABLE COUNTERPART:
 P/N 284875-1 / 284875-2 / 284875-6

SISTEMA AGGANCIAMENTO A
 PANNELLO SUL LATO SX
 (PANEL HOOK DEVICE
 ON LEFT SIDE)

P/N 284879-2 REV. C
 BLOCCHETTO COLORE GRIGIO
 (HOUSING GREY COLOUR)
 CODICE B (CODING B)
 CONTROPARTE ADATTA:
 (SUITABLE COUNTERPART:
 P/N 284875-3 / 284875-4

SISTEMA AGGANCIAMENTO A
 PANNELLO SUL LATO SX
 (PANEL HOOK DEVICE
 ON LEFT SIDE)

P/N 284879-3 REV. C
 BLOCCHETTO COLORE NERO
 (HOUSING BLACK COLOUR)
 CODICE A (CODING A)
 CONTROPARTE ADATTA:
 (SUITABLE COUNTERPART:
 P/N 284875-1 / 284875-2 / 284875-6

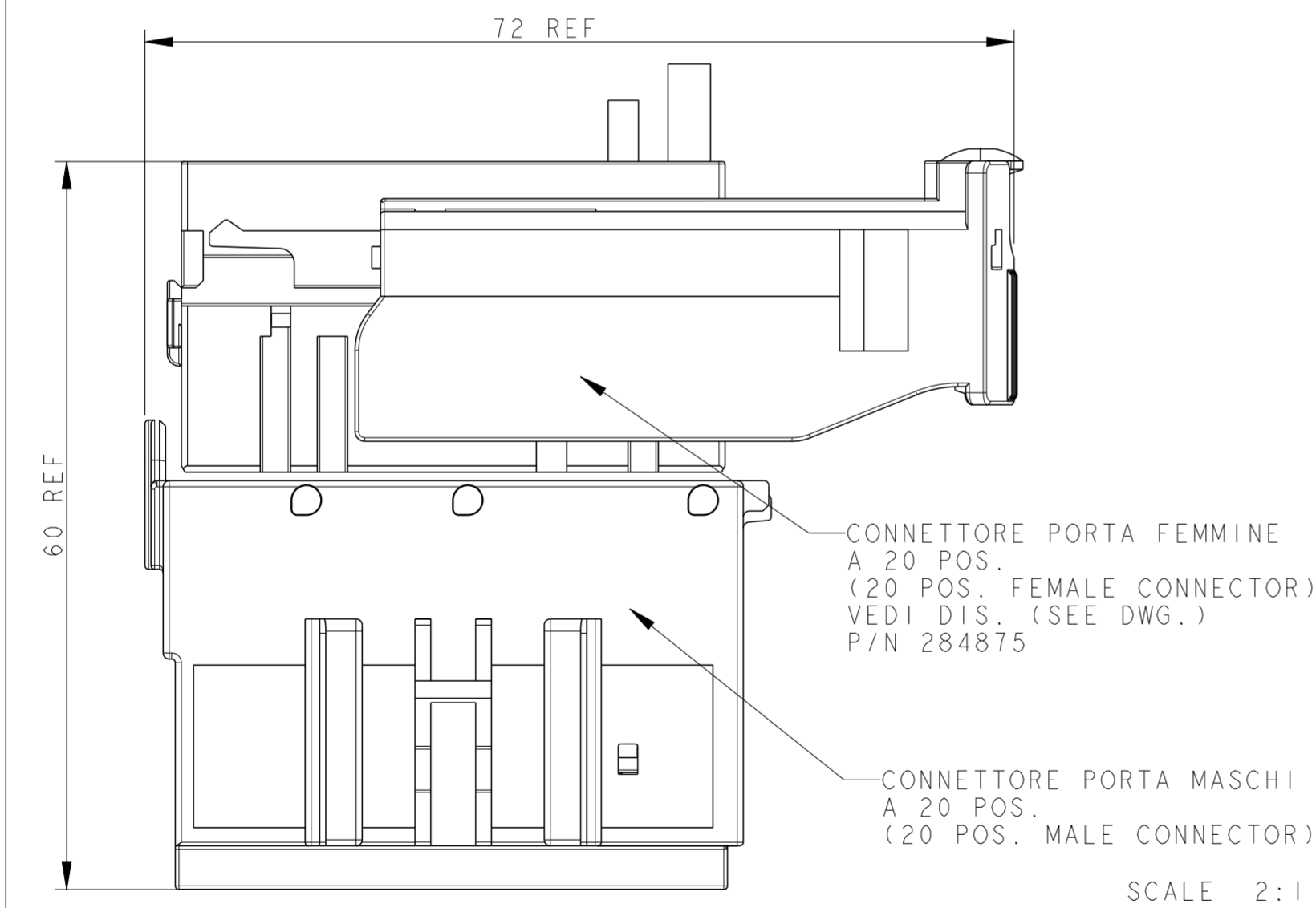
SISTEMA AGGANCIAMENTO A
 PANNELLO SUL LATO DX
 (PANEL HOOK DEVICE
 ON RIGHT SIDE)

P/N 284879-4 REV. C
 BLOCCHETTO COLORE GRIGIO
 (HOUSING GREY COLOUR)
 CODICE B (CODING B)
 CONTROPARTE ADATTA:
 (SUITABLE COUNTERPART:
 P/N 284875-3 / 284875-4

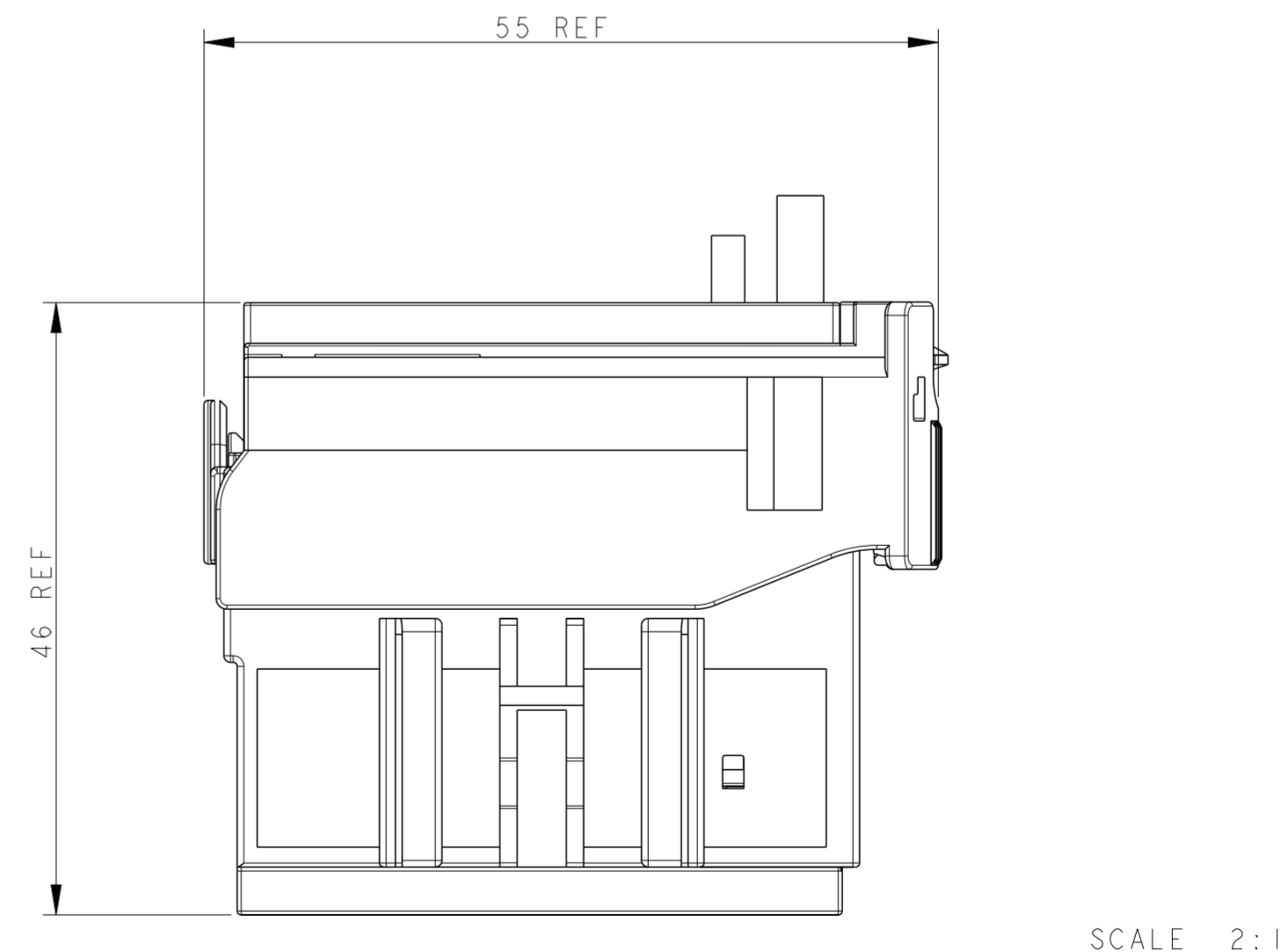
SISTEMA AGGANCIAMENTO A
 PANNELLO SUL LATO DX
 (PANEL HOOK DEVICE
 ON RIGHT SIDE)

INGOMBRI DI RIFERIMENTO PER ACCOPPIAMENTO CON CONTROPARTE
 (SPACE NEEDED DURING MATING WITH COUNTERPART)

CONNETTORI IN FASE DI ACCOPPIAMENTO
 (CONNECTORS DURING MATING PHASE)



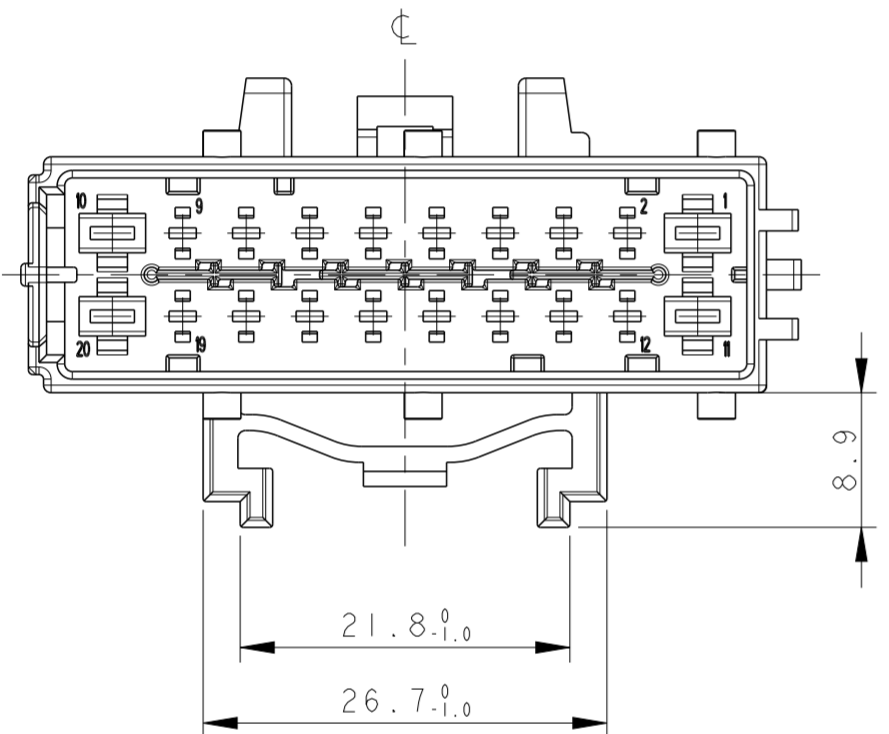
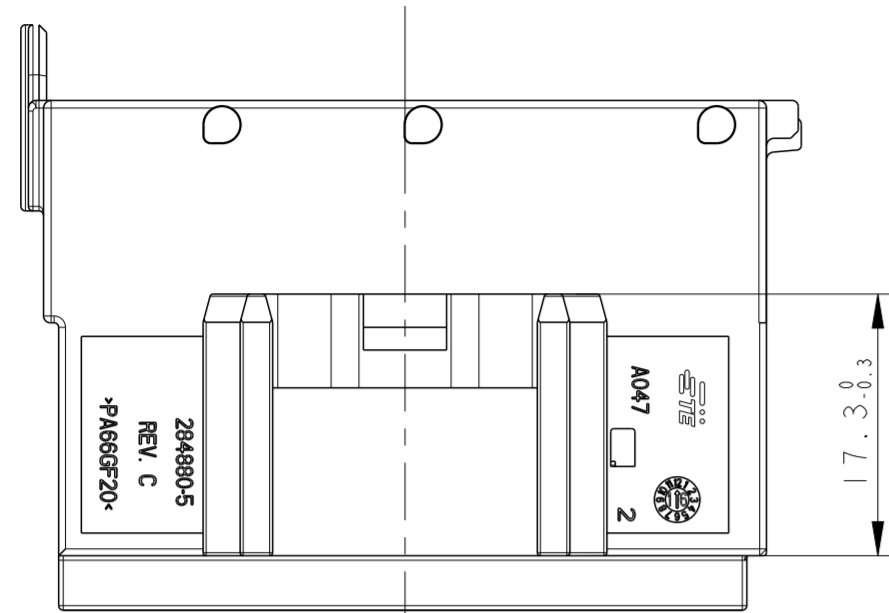
CONNETTORI ACCOPPIATI
 (MATED CONNECTORS)



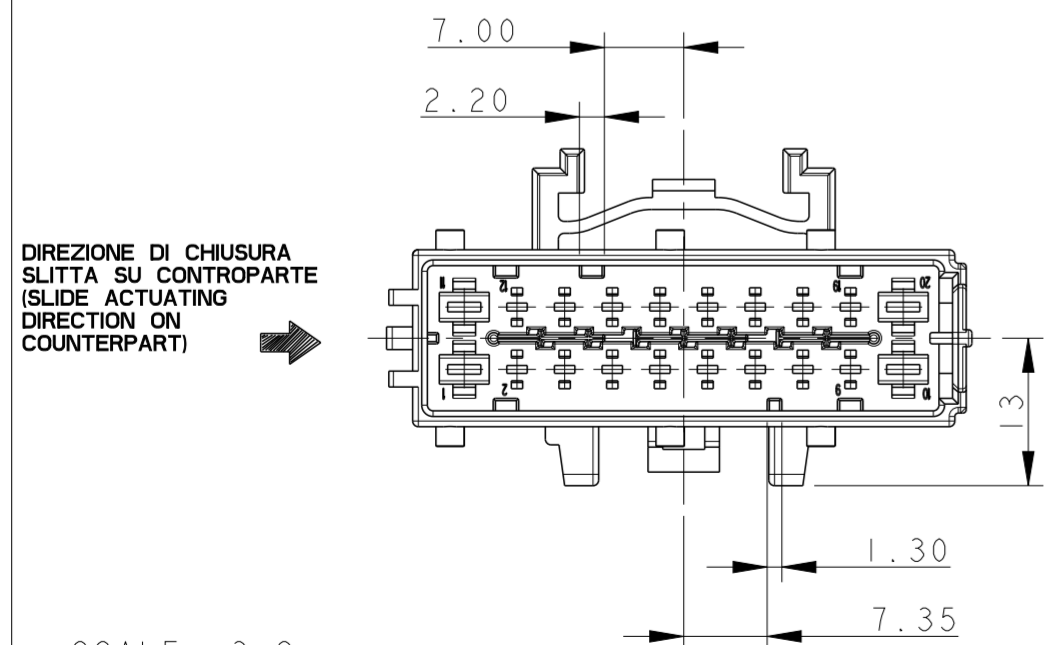
THIS DRAWING IS A CONTROLLED DOCUMENT.		DWN M. POLIZZI	25 JUL 2002	 TE Connectivity	NAME AMP MCP 1.5/2.8 TAB HOUSING 20 POS. ASS'Y - UNSEALED
DIMENSIONS: mm		CHK O. CANUTO	25 JUL 2002		
TOLERANCES UNLESS OTHERWISE SPECIFIED:		APVD A. GENIA	25 JUL 2002		
0 PLC ±0.3 1 PLC ±0.2 2 PLC ±0.1 3 PLC ± 4 PLC ± ANGLES ±1° FINISH -		PRODUCT SPEC 108-20243	APPLICATION SPEC 411-20071		
MATERIAL SEE TABLE		WEIGHT	-	SIZE A2	CAGE CODE -
		Customer Drawing	SCALE 2:1	DRAWING NO C-284879	RESTRICTED TO -
			SHEET 2 OF 4	REV C	

REVISIONS				
P	LTR	DESCRIPTION	DATE	APVD
-	-	SEE SHEET 1	-	-

P/N 284879-5



CODICE DI POLARIZZAZIONE (POLARIZATION CODING)

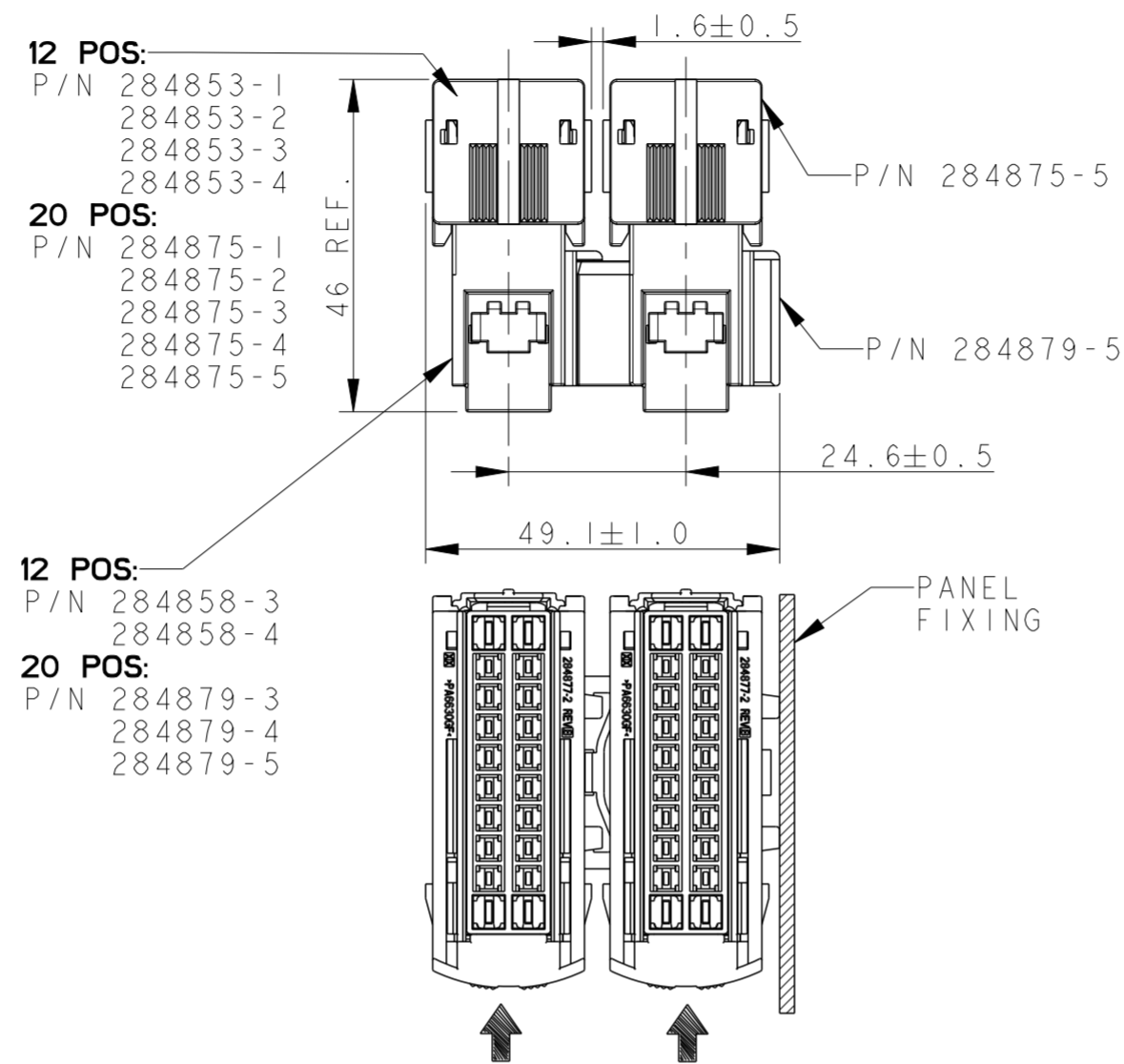


SCALE 3:2
 P/N 284879-5 REV.C
 BLOCCHETTO COLORE MARRONE
 (HOUSING BROWN COLOUR)
 CODICE C (CODING C)
 CONTROPARTE ADATTA:
 (SUITABLE COUNTERPART:
 P/N 284875-5

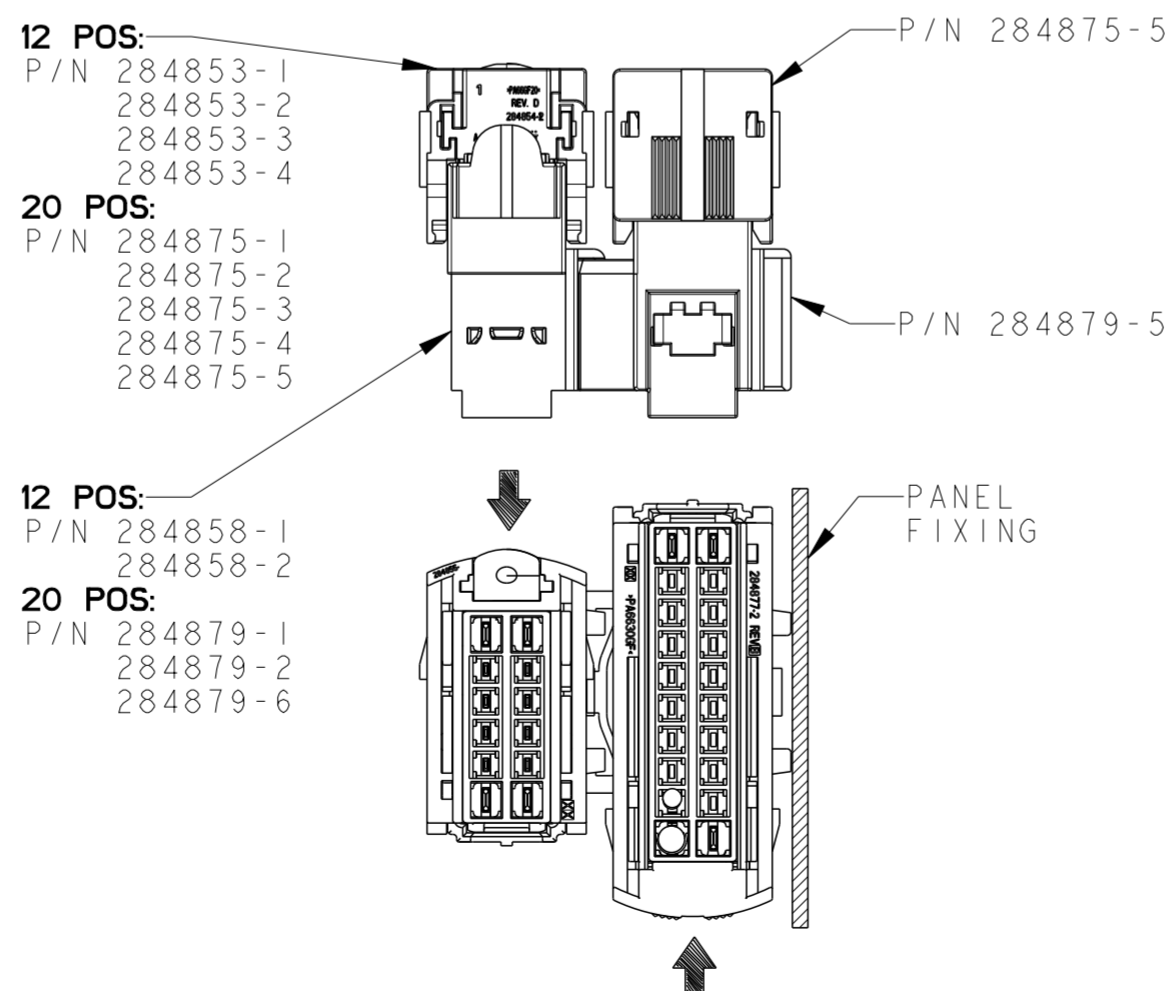
SISTEMA AGGANCIAMENTO A PANNELLO SUL LATO DX
 (PANEL HOOK DEVICE ON RIGHT SIDE)

OVERALL DIMENSIONS (DIMENSIONI DI INGOMBRO)

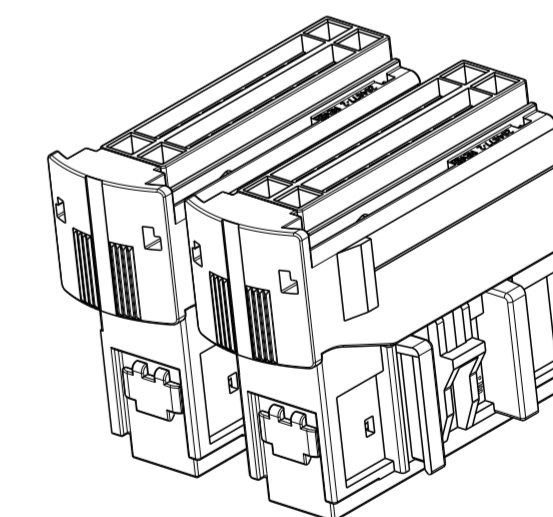
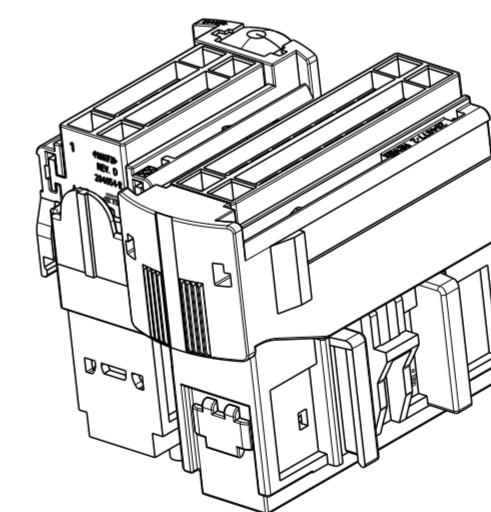
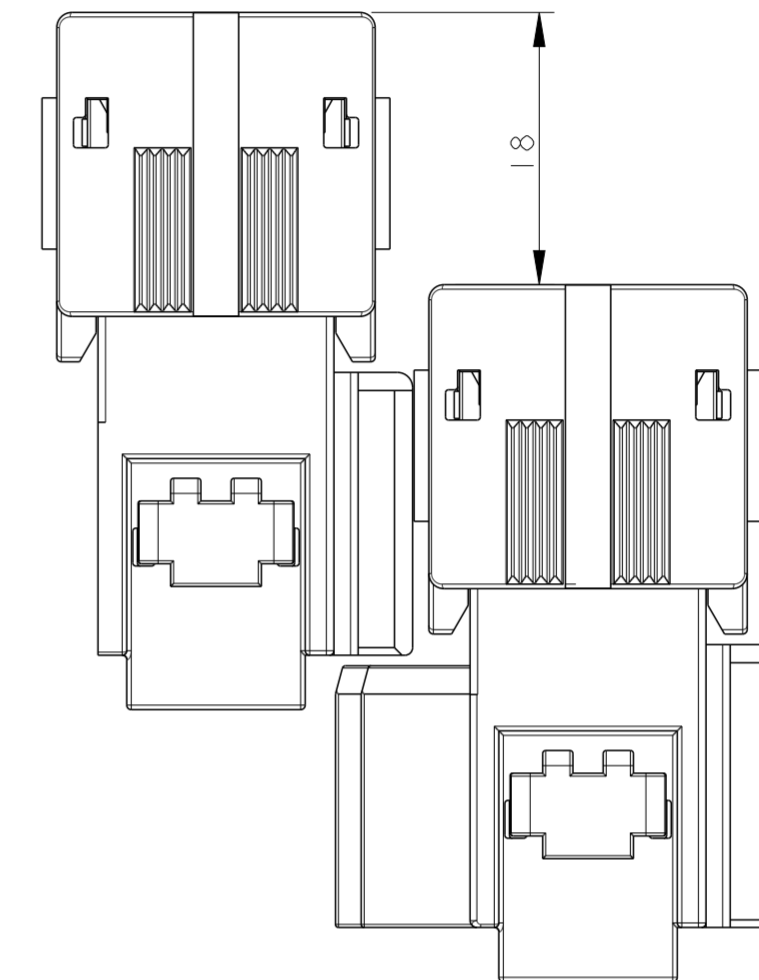
PANEL FIXING CONFIGURATIONS WITH SAME SLIDE ACTUATING DIRECTION (CONFIGURAZIONI PER FISSAGGIO A PANNELLO CON STESSA DIREZIONE DI CHIUSURA SLITTE)



PANEL FIXING CONFIGURATIONS WITH OPPOSITE SLIDE ACTUATING DIRECTION (CONFIGURAZIONI PER FISSAGGIO A PANNELLO CON DIREZIONE OPPOSTA DI CHIUSURA SLITTE)



DIMENSIONI DI INGOMBRO IN FASE DI ACCOPIAMENTO VERSIONE MODULARE (OVERALL DIMENSIONS DURING MATING PHASE MODULAR VERSION)

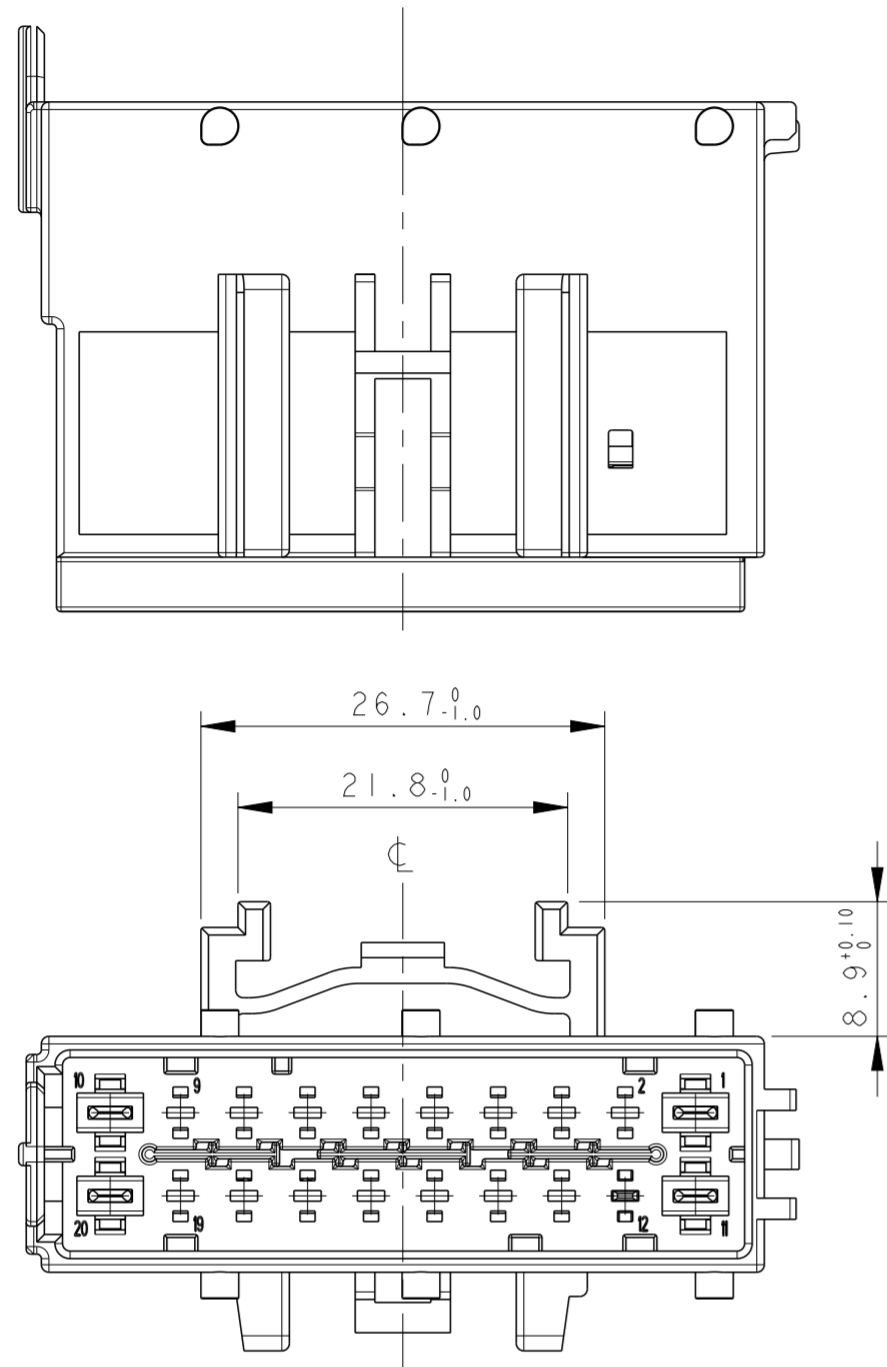


SCALE 1:1

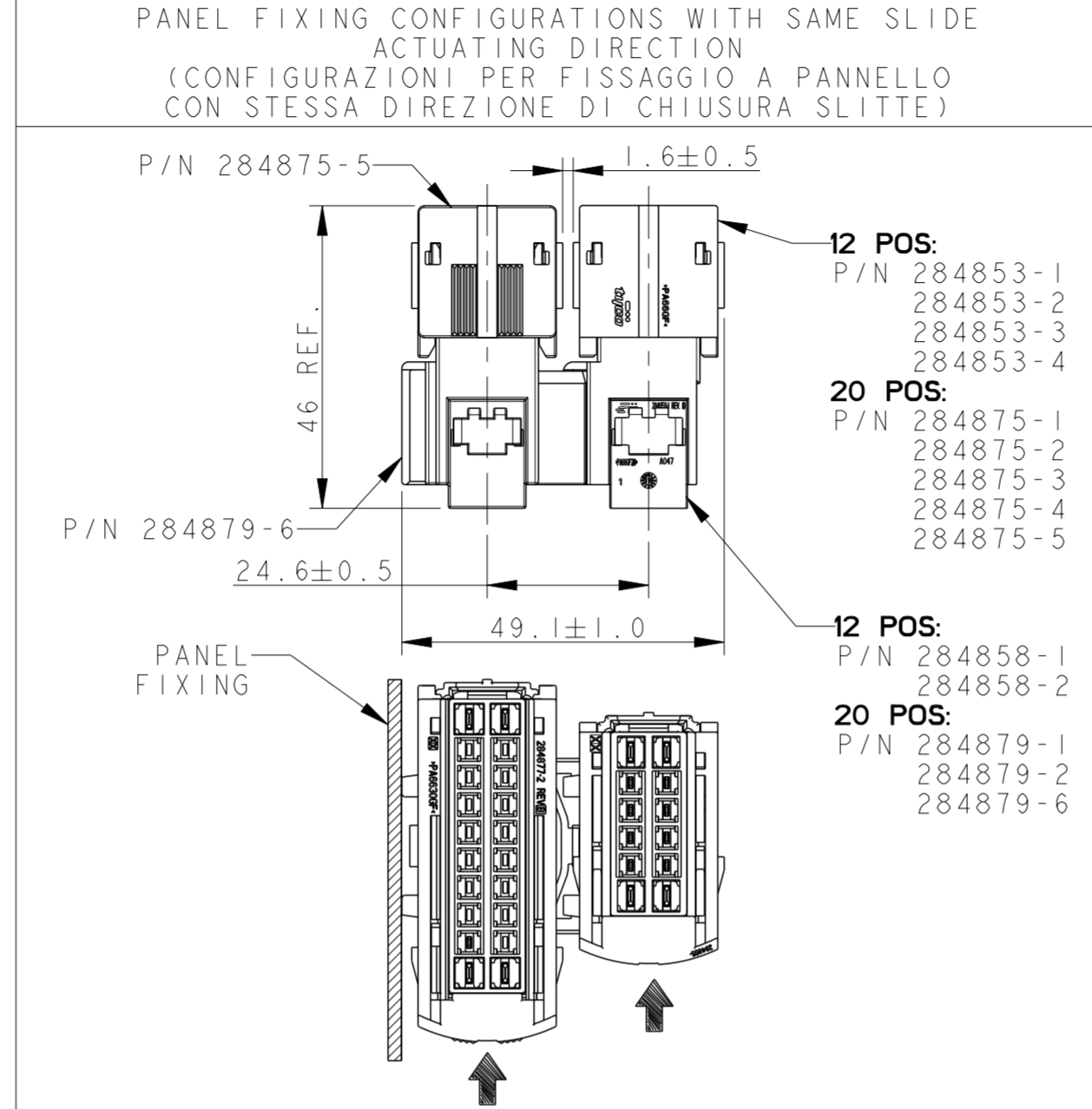
THIS DRAWING IS A CONTROLLED DOCUMENT.		DWN M. POLIZZI 25 JUL 2002	TE Connectivity	
DIMENSIONS: mm		CHK O. CANUTO 25 JUL 2002		
TOLERANCES UNLESS OTHERWISE SPECIFIED:		APVD A. GENTA 25 JUL 2002	NAME AMP MCP 1.5/2.8 TAB HOUSING 20 POS. ASS'Y - UNSEALED	
0 PLC ±0.3	1 PLC ±0.2	PRODUCT SPEC 108-20243	SIZE A2	CAGE CODE -
2 PLC ±0.1	3 PLC ±	APPLICATION SPEC 411-20071	DRAWING NO C-284879	RESTRICTED TO -
4 PLC ±	ANGLES ±1°	WEIGHT -	SCALE 2:1	SHEET 3 OF 4
MATERIAL SEE TABLE	FINISH -	Customer Drawing	REV C	

REVISIONS					
P	LTR	DESCRIPTION	DATE	DWN	APVD
-	-	SEE SHEET 1	-	-	-

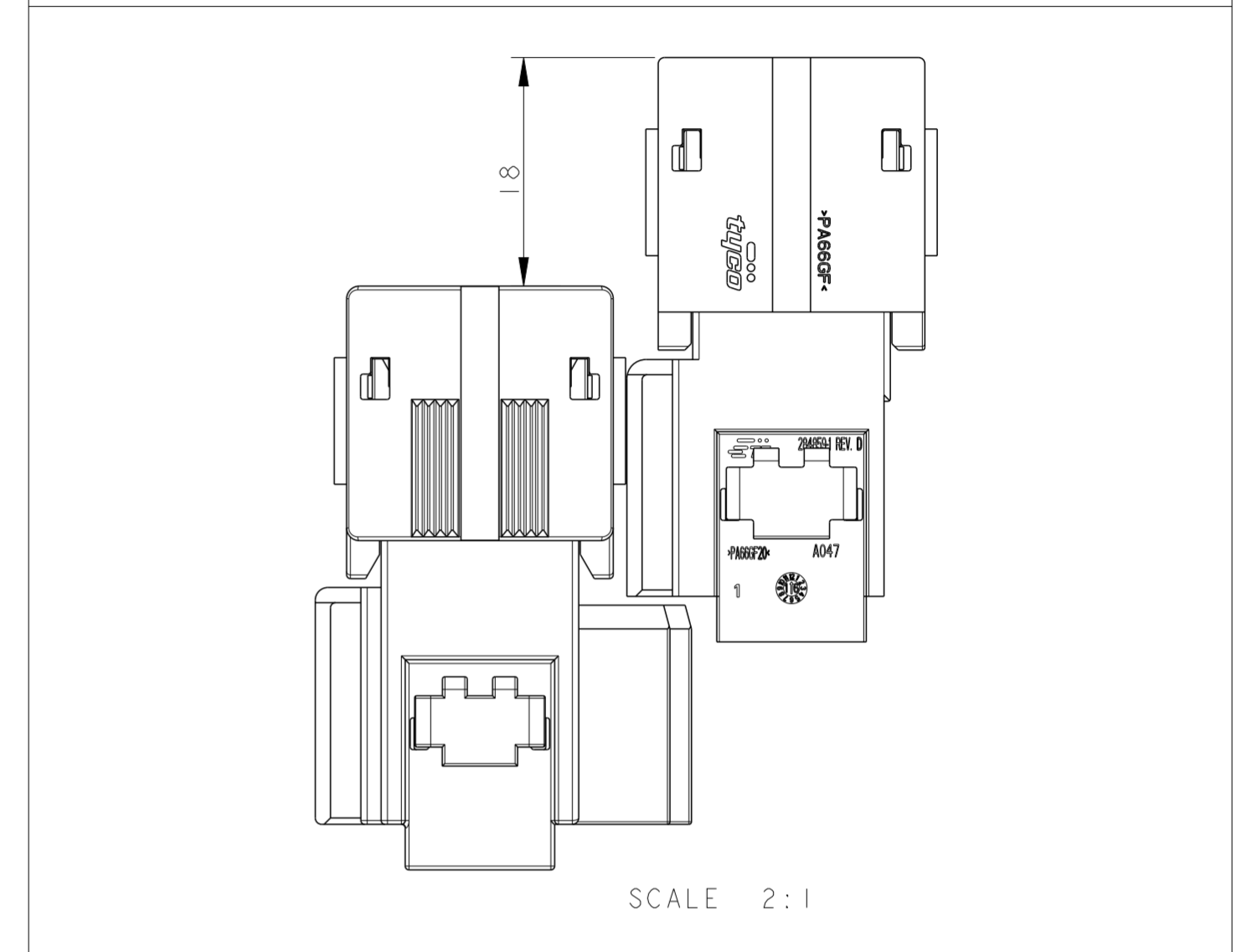
P/N 284879-6



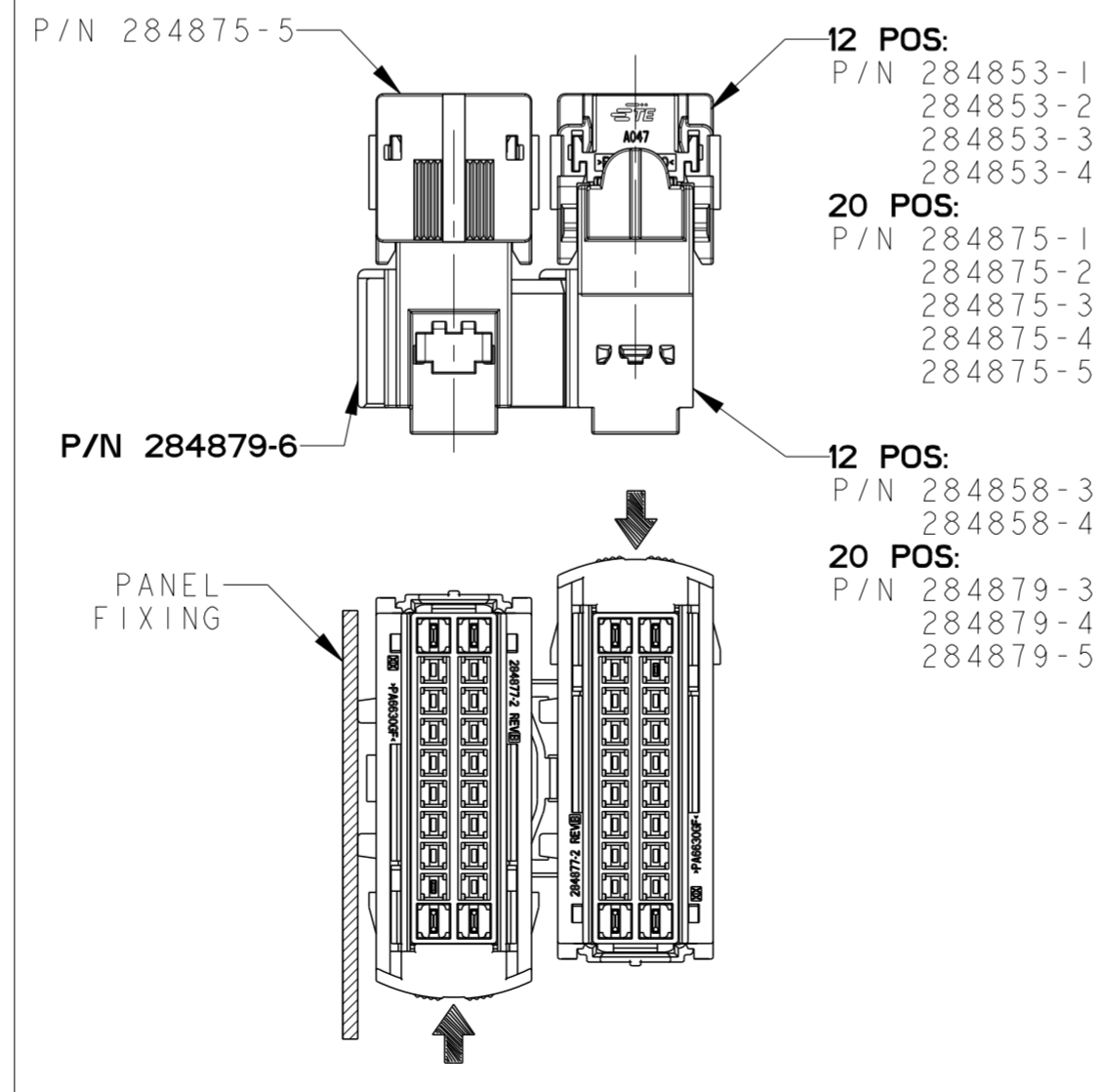
OVERALL DIMENSIONS (DIMENSIONI DI INGOMBRO)



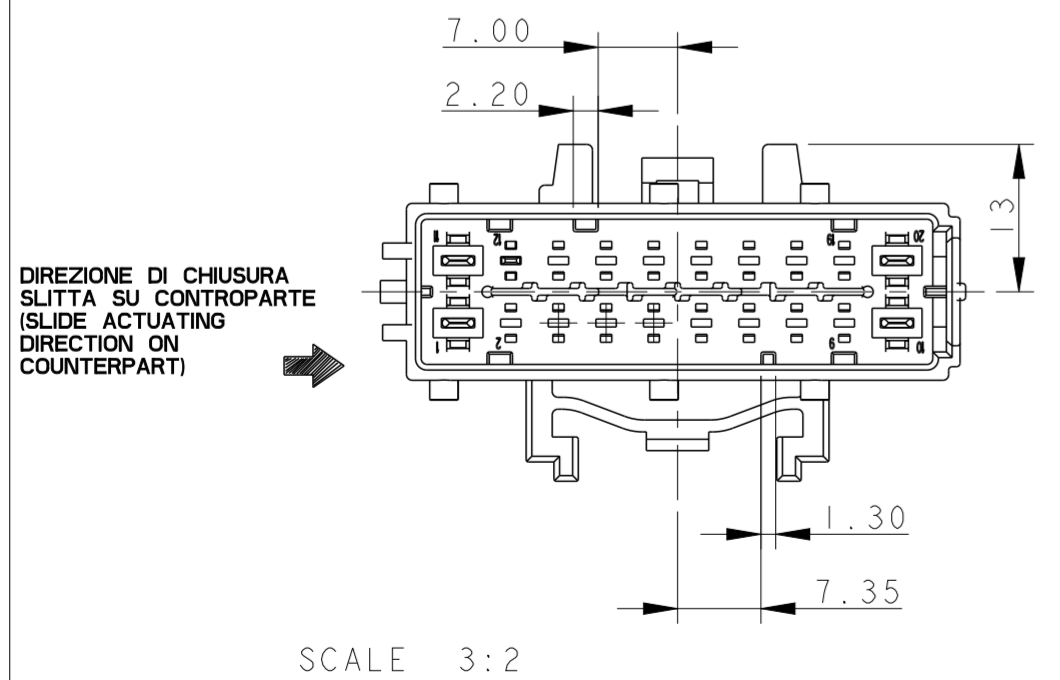
DIMENSIONI DI INGOMBRO IN FASE DI ACCOPPIAMENTO VERSIONE MODULARE (OVERALL DIMENSIONS DURING MATING PHASE MODULAR VERSION)



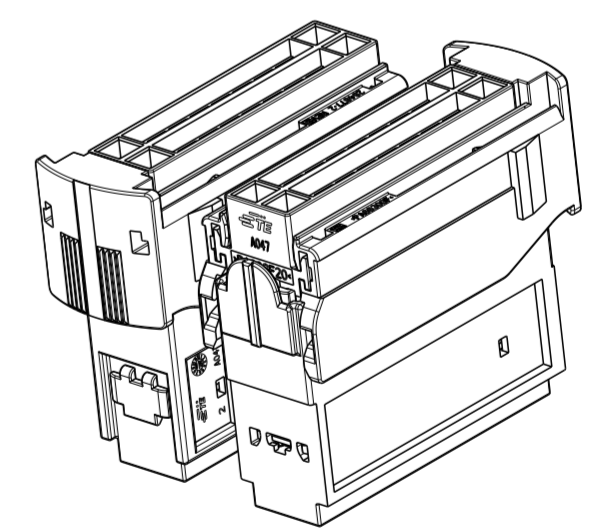
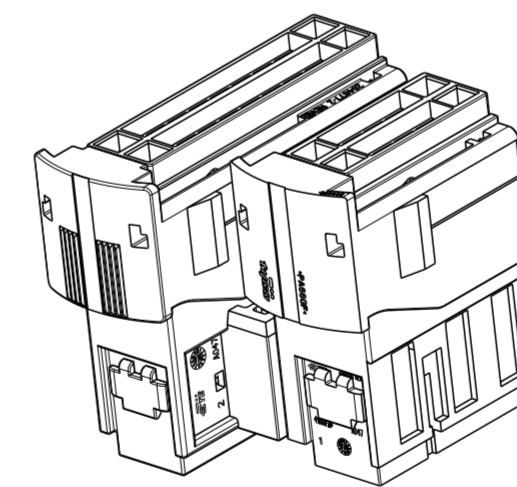
PANEL FIXING CONFIGURATIONS WITH OPPOSITE SLIDE ACTUATING DIRECTION (CONFIGURAZIONI PER FISSAGGIO A PANNELLO CON DIREZIONE OPPOSTA DI CHIUSURA SLITTE)



CODICE DI POLARIZZAZIONE (POLARIZATION CODING)



P/N 284879-6 REV. C
 BLOCCHETTO COLORE MARRONE (HOUSING BROWN COLOUR)
 CODICE C (CODING C)
 CONTROPARTE ADATTA: (SUITABLE COUNTERPART: P/N 284875-5)



THIS DRAWING IS A CONTROLLED DOCUMENT.		DWN M. POLIZZI 25 JUL 2002	TE Connectivity				
DIMENSIONS: mm		CHK O. CANUTO 25 JUL 2002				NAME	
TOLERANCES UNLESS OTHERWISE SPECIFIED:		APVD A. GENIA 25 JUL 2002				PRODUCT SPEC	
0 PLC ±0.3 1 PLC ±0.2 2 PLC ±0.1 3 PLC ± 4 PLC ± ANGLES ±1° FINISH		108-20243				APPLICATION SPEC	
MATERIAL SEE TABLE		411-20071	WEIGHT	SIZE A2	CAGE CODE -		
		Customer Drawing	SCALE 2:1	SHEET 4 OF 4	REV C		

单击下面可查看定价，库存，交付和生命周期等信息

[>>TE Connectivity\(泰科\)](#)