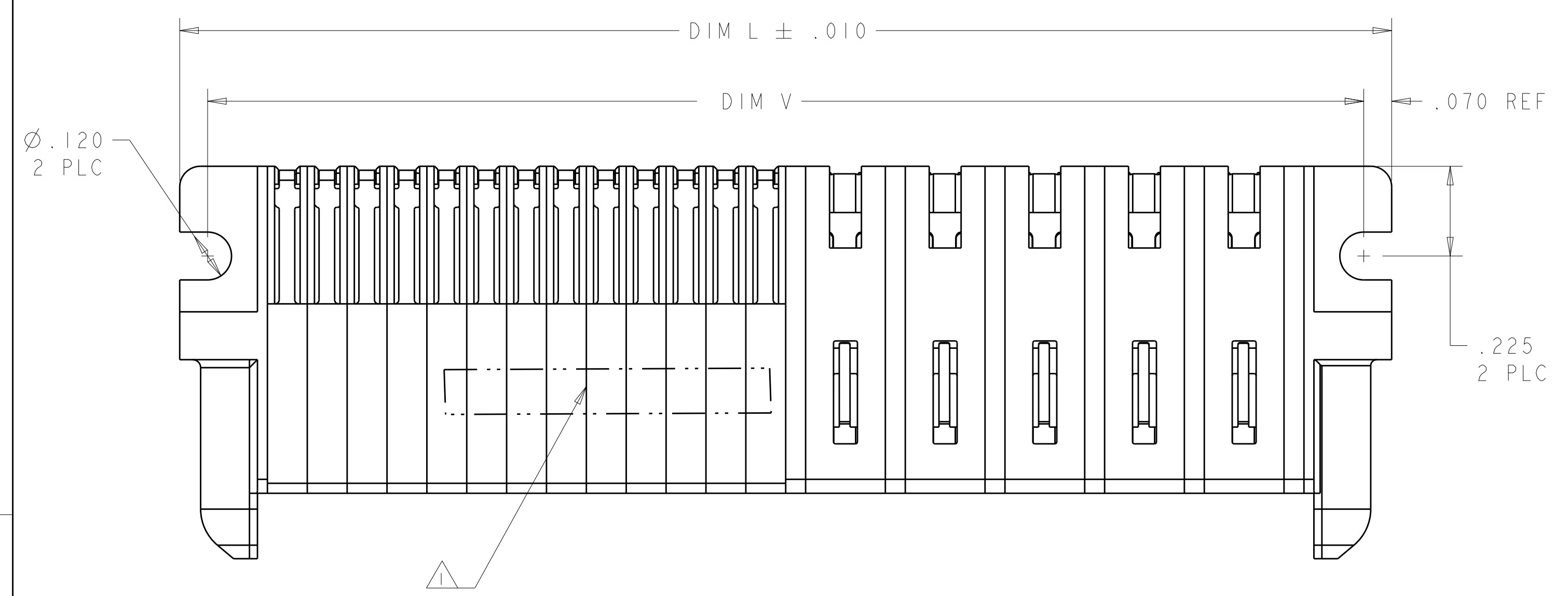
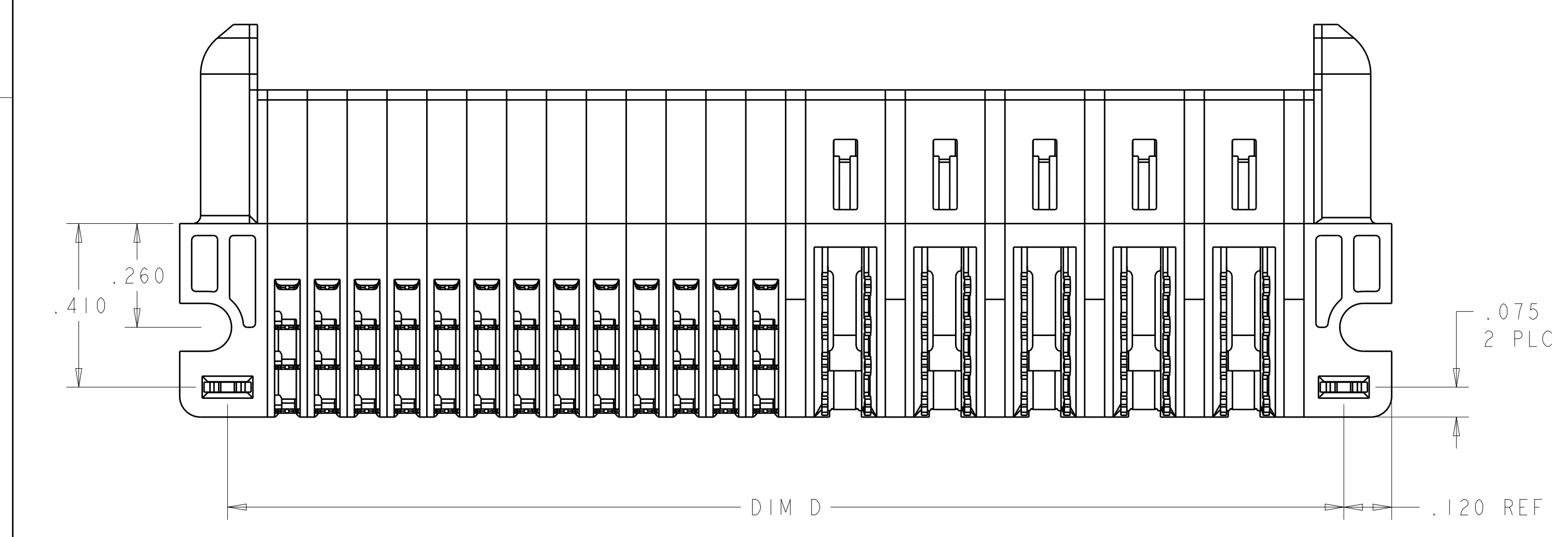
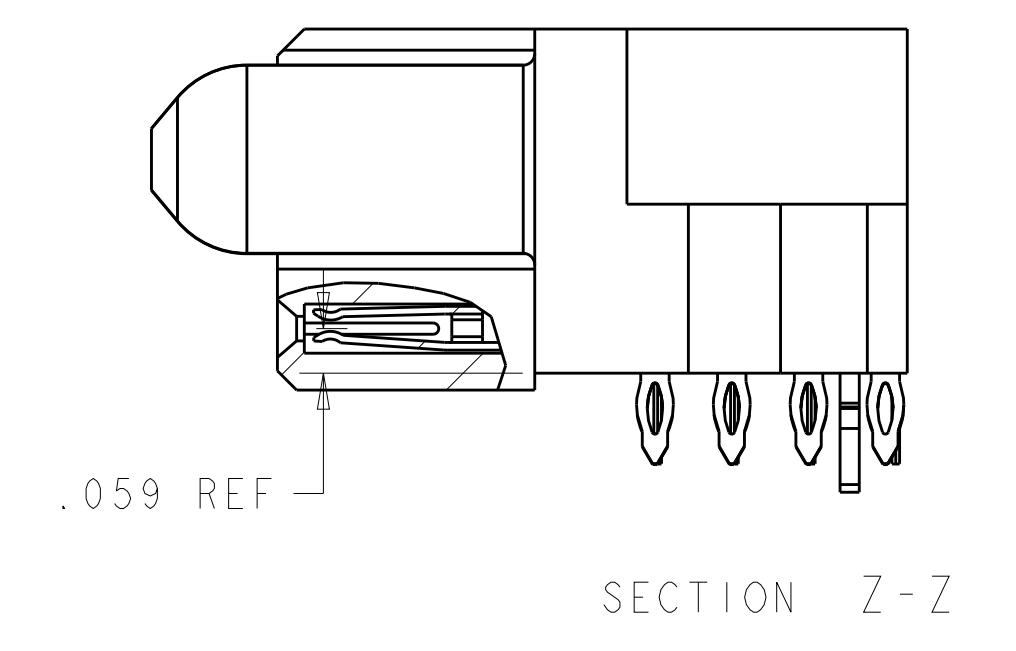
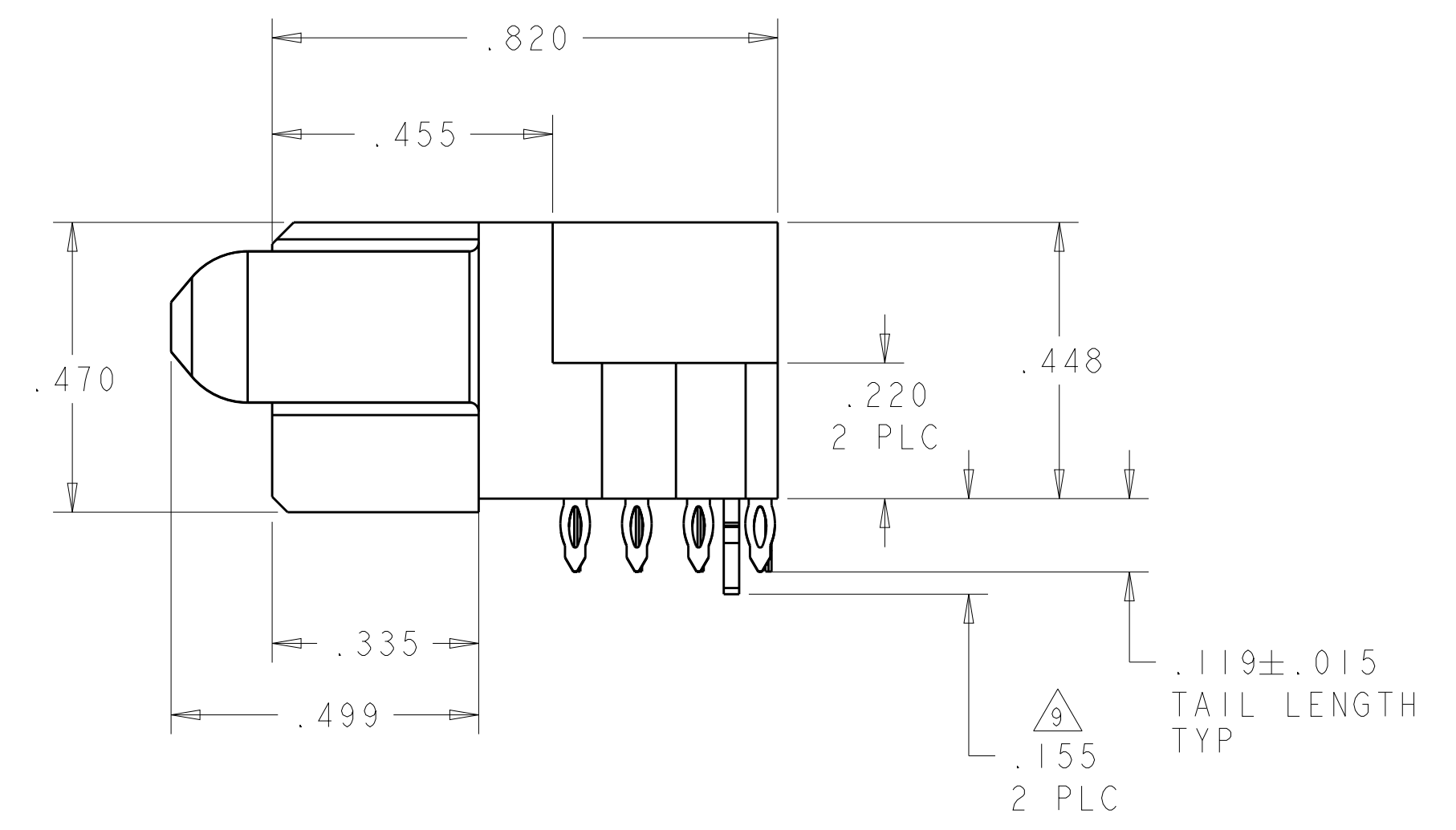
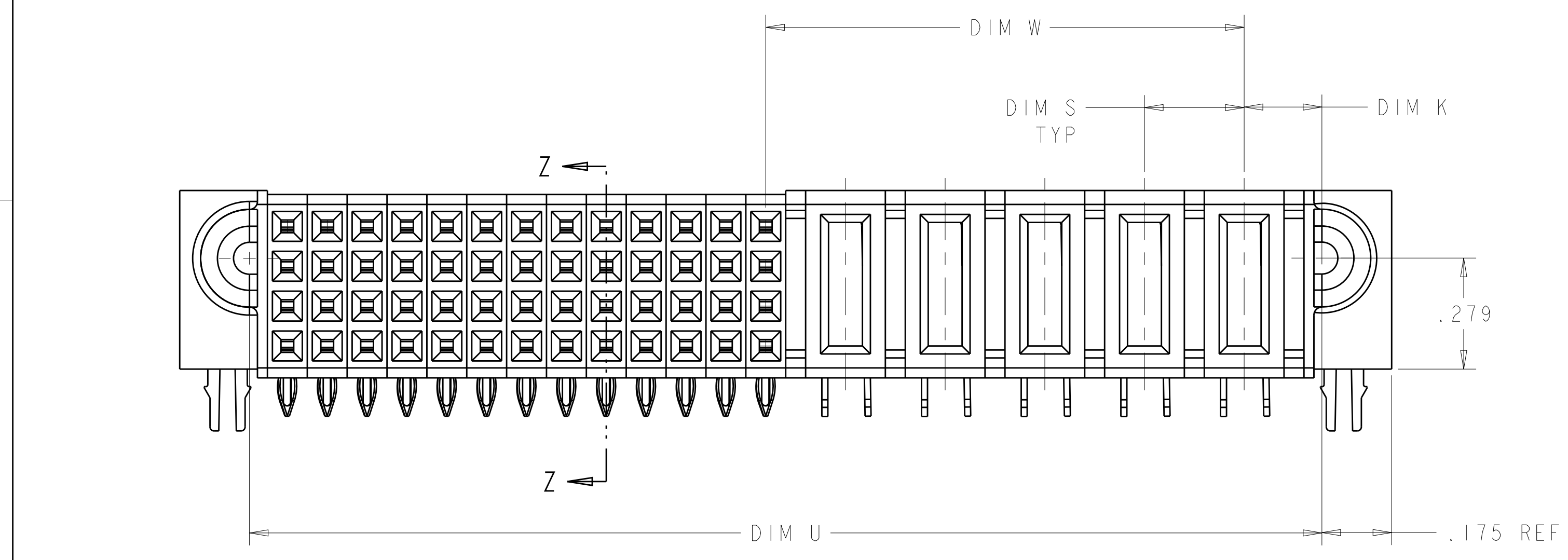


LOC	DIST	REVISIONS					
		P	LTN	DESCRIPTION	DATE	DWN	APVD
ES	00	A2		REV PER ECR-11-019166	21SEP2011	ML	SZ
		A3		CORRECT DRAWING VIEW	16MAR2012	OL	SZ
		A4		ADD HOLD DOWN ON SHEET 1	20MAR2012	OL	SZ
		A5		UPDATE	23MAR2012	OL	SZ



- 1 "AMP", PART NUMBER, AND DATECODE TO BE MARKED IN AREA SHOWN. PARTS UNDER 2.00[50.8] LONG MAY BE MARKED ON BOTH SIDES.
- 2 MATERIAL: HOUSING - GLASS FILLED HIGH TEMP THERMO PLASTIC, BLACK, UL94 V-0  
SIGNAL CONTACT - COPPER ALLOY  
POWER CONTACT - HIGH CONDUCTIVITY COPPER ALLOY
- 3 CONTACT PLATING: NOBLE METAL PLATING ON CONTACT FUNCTIONAL AREA OF POWER AND SIGNAL CONTACTS.
- 4 MECHANICAL CONNECTOR KEEP OUT ZONE.
- 5 DATUM AND BASIC DIMENSIONS ESTABLISHED BY CUSTOMER.
- 6 PCB - HOLE DIAMETERS ARE FINISHED HOLE SIZE.
- 7 PCB - .0453±.0010 DRILLED HOLES PLATED WITH .0003 MIN Sn OVER .001 TO .003 Cu PLATING TO ACHIEVE A .040 DIA HOLE.
- 8 VARIABLE DIMENSION PLEASE REFER TO TABLE
- 9 HOLD DOWN IS OPTIONAL AND PLEASE REFER TO TABLE FOR SPECIFIED PART NUMBERS ON FOLLOWING PAGES



	8	3.740	3.600	3.390	3.500	2.625	0.170	3ACP+8P+24S	6450882-9
3	8	3.790	3.650	3.440	3.550	2.700	.145	13P + 24S	6450882-7
A1	8	.200	3.065	2.925	2.715	-	1.975	10HDP + 24S	6450882-4
A	8	3.740	3.600	3.390	3.500	2.625	0.170	3ACP+8P+24S	6450882-3
A1	8	3.740	3.600	3.390	3.500	2.625	0.170	3ACP+8P+24S	6450882-2
A1	8	3.740	3.600	3.390	3.500	2.625	0.170	3ACP+8P+24S	6450882-1
2	8	.250	1.565	1.425	1.215	1.325	.425	2P + 24S	6450882-8
	DIM S	DIM L	DIM V	DIM U	DIM D	DIM W	DIM K	DESCRIPTION	PART NUMBER

THIS DRAWING IS A CONTROLLED DOCUMENT. DWN: ORANDO L1 19NOV2009  
CHK: SUNY ZHAO 19NOV2009

DIMENSIONS: INCHES. TOLERANCES UNLESS OTHERWISE SPECIFIED:  
0 PLC ±.01  
1 PLC ±.01  
2 PLC ±.01  
3 PLC ±.01  
4 PLC ±.005  
ANGLES ±.0020

MATERIAL: FINISH: 2 3

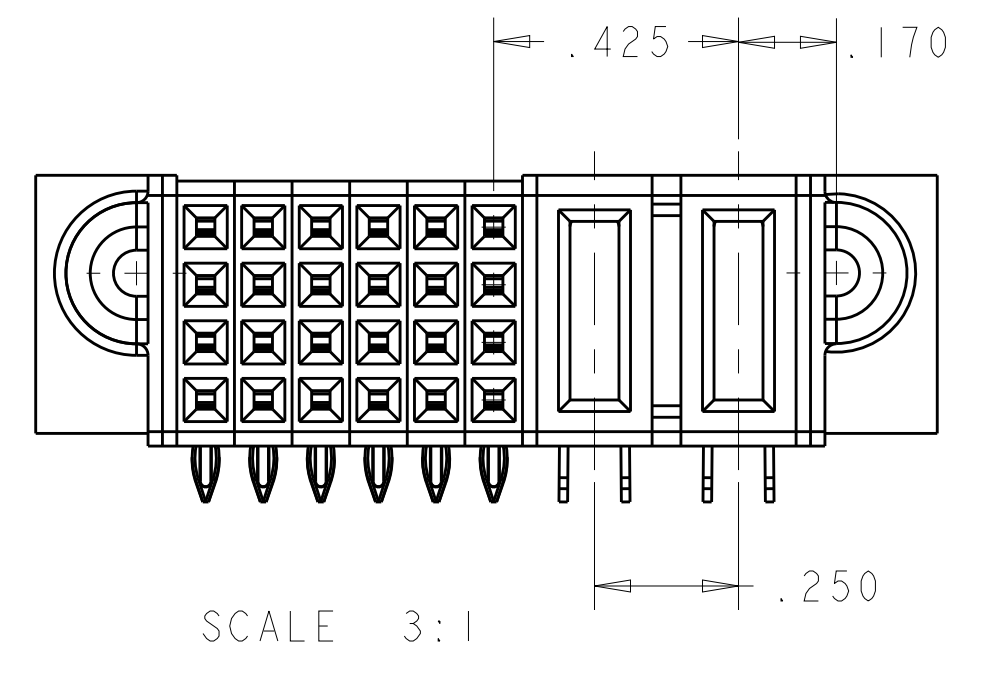
STE TE Connectivity  
RIGHT ANGLE RECEPTACLE AND SHORT END MODULAR MULTI-BEAM XLE

SIZE: 114-13038 CAGE CODE: 114-13038 DRAWING NO: 108-2292 APPLICATION SPEC: 108-2292  
WEIGHT: A100779 C=6450882  
CUSTOMER DRAWING SCALE: 4:1 SHEET 1 OF 4 REV: A6

LOC	DIST	REV	DATE	APPV
ES	00			

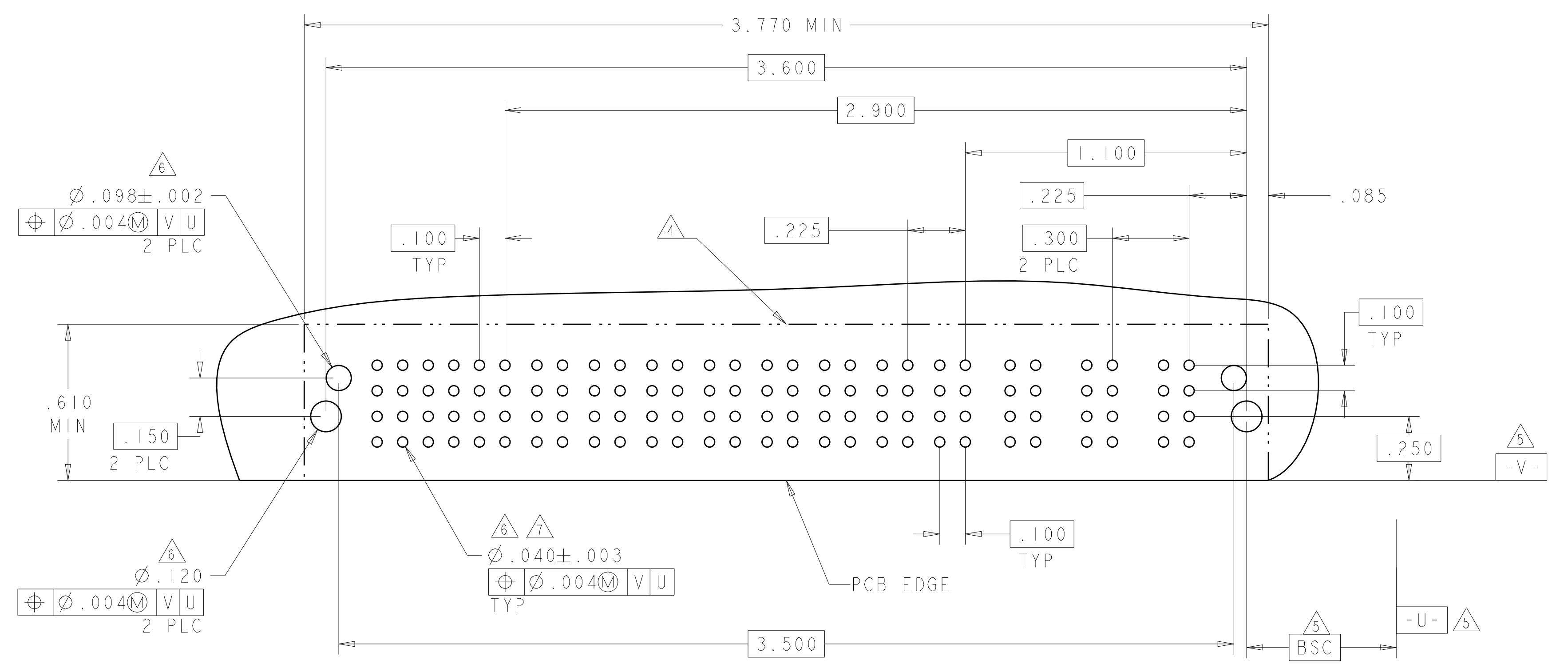
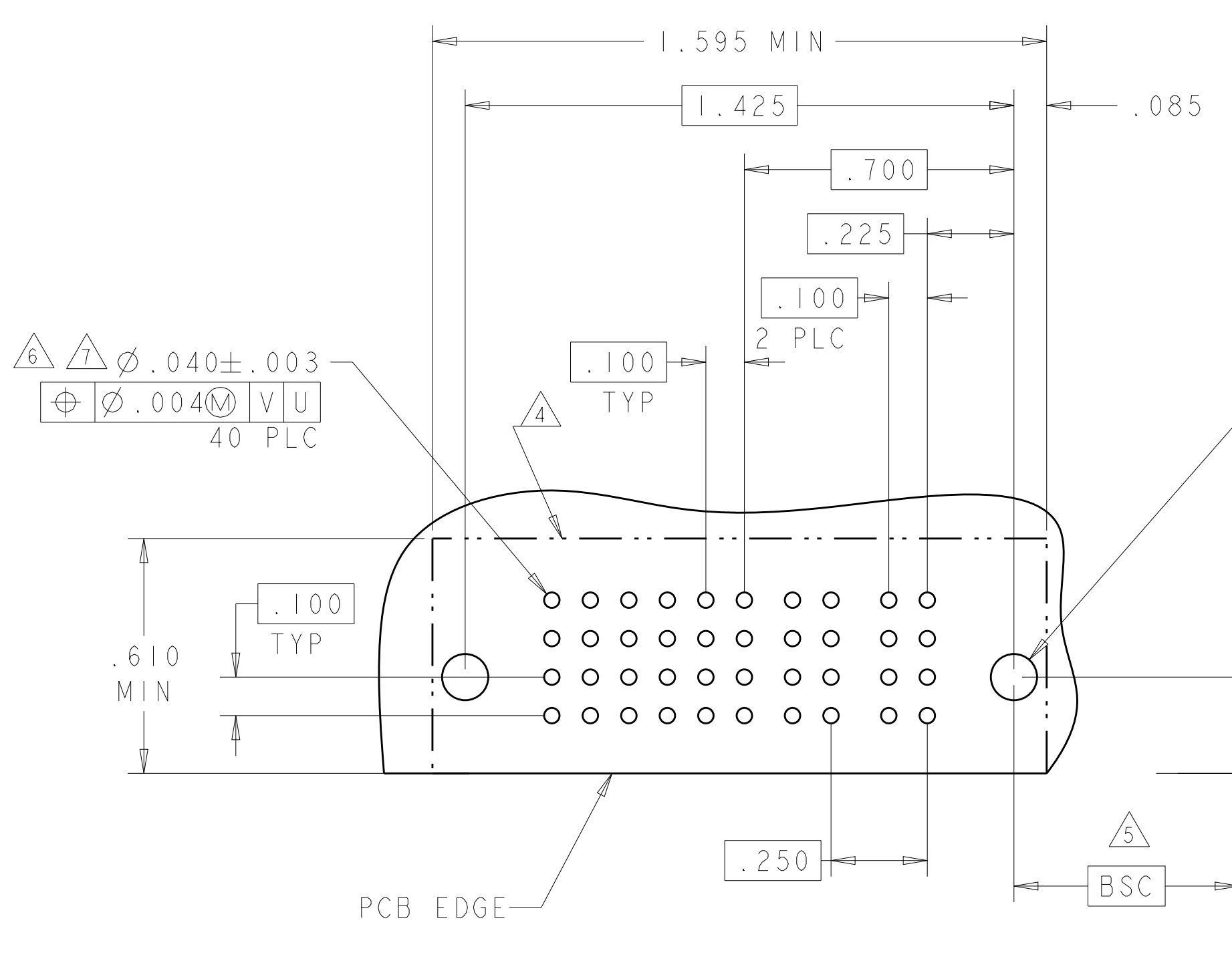
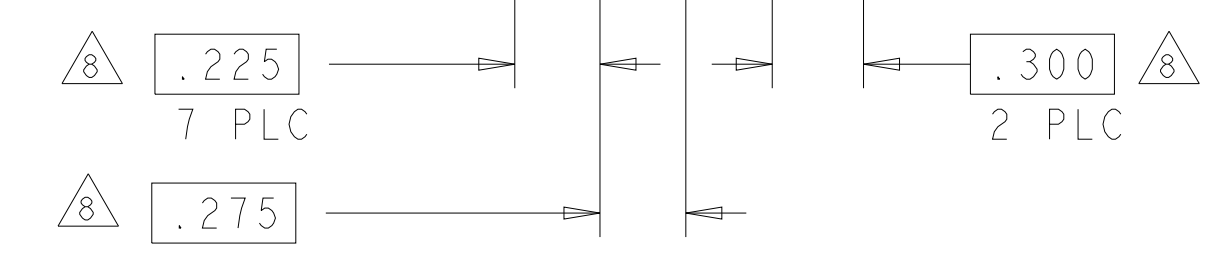
PART NUMBER	ROWS	SIGNAL						POWER	
		6	5	4	3	2	1	P2	P1
6450882-8	D	D	D	D	D	D	D	RP	RS
	C	C	C	C	C	C	C		
	B	B	B	B	B	B	B		
	A	A	A	A	A	A	A		

2P + 24S



PART NUMBER	ROWS	SIGNAL						POWER										
		6	5	4	3	2	1	P11	P10	P9	P8	P7	P6	P5	P4	P3	P2	P1
6450882-1	D	D	D	D	D	D	D	RS	RS	RS	RS	RS	RS	RS	RS	RP	RS	RS
	C	C	C	C	C	C	C											
	B	B	B	B	B	B	B											
	A	A	A	A	A	A	A											

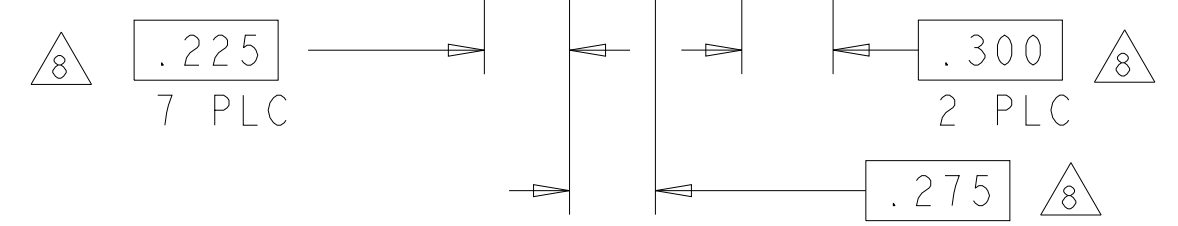
3ACP + 8P + 24S



PCB LAYOUT VIEW OF 6450882-1/2/3

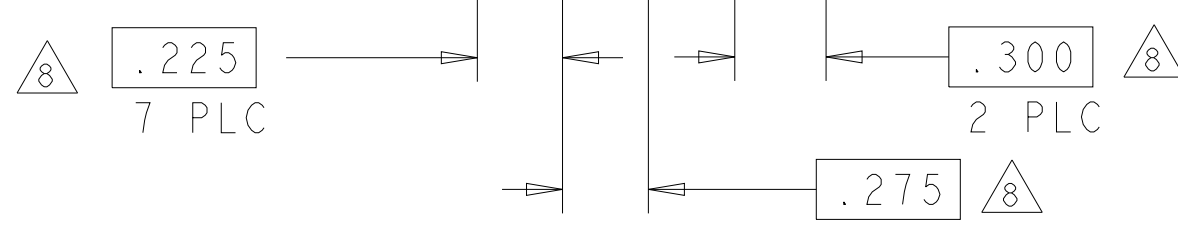
PART NUMBER	ROWS	SIGNAL						POWER										
		6	5	4	3	2	1	P11	P10	P9	P8	P7	P6	P5	P4	P3	P2	P1
6450882-2	D	D	D	D	D	D	D	RS	RS	RS	RS	RP	RS	RS	RS	RS	RS	RS
	C	C	C	C	C	C	C											
	B	B	B	B	B	B	B											
	A	A	A	A	A	A	A											

3ACP + 8P + 24S



PART NUMBER	ROWS	SIGNAL						POWER										
		6	5	4	3	2	1	P11	P10	P9	P8	P7	P6	P5	P4	P3	P2	P1
6450882-3	D	D	D	D	D	D	D	RS	RS	RS	RS	RS	RS	RP	RS	RS	RS	RS
	C	C	C	C	C	C	C											
	B	B	B	B	B	B	B											
	A	A	A	A	A	A	A											

3ACP + 8P + 24S



DESCRIPTION	IDENTIFIER
HOLD DOWN	HD
STD PRESS FIT SIGNAL CONTACT, .119 TAIL LENGTH, ROW D	D
STD PRESS FIT SIGNAL CONTACT, .119 TAIL LENGTH, ROW C	C
STD PRESS FIT SIGNAL CONTACT, .119 TAIL LENGTH, ROW B	B
STD PRESS FIT SIGNAL CONTACT, .119 TAIL LENGTH, ROW A	A
MFBL PRESS FIT POWER CONTACT, .119 TAIL LENGTH	RP
STD PRESS FIT POWER CONTACT, .119 TAIL LENGTH	RS

THIS DRAWING IS A CONTROLLED DOCUMENT.

ORLANDO LI 19NOV2009  
SUNY ZHAO 19NOV2009

STE TE Connectivity

RIGHT ANGLE RECEPTACLE AND SHORT END MODULAR MULTI-BEAM XLE

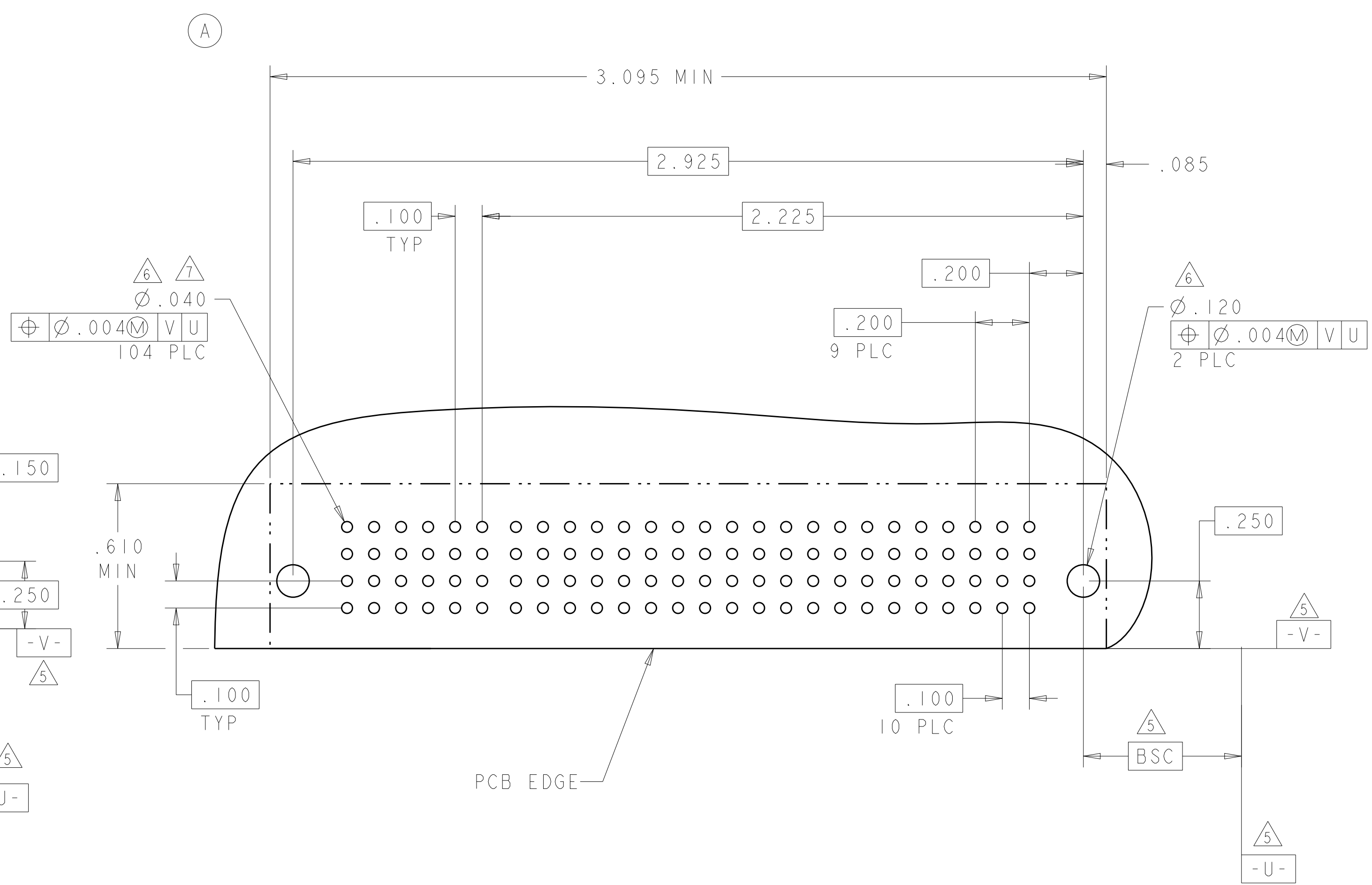
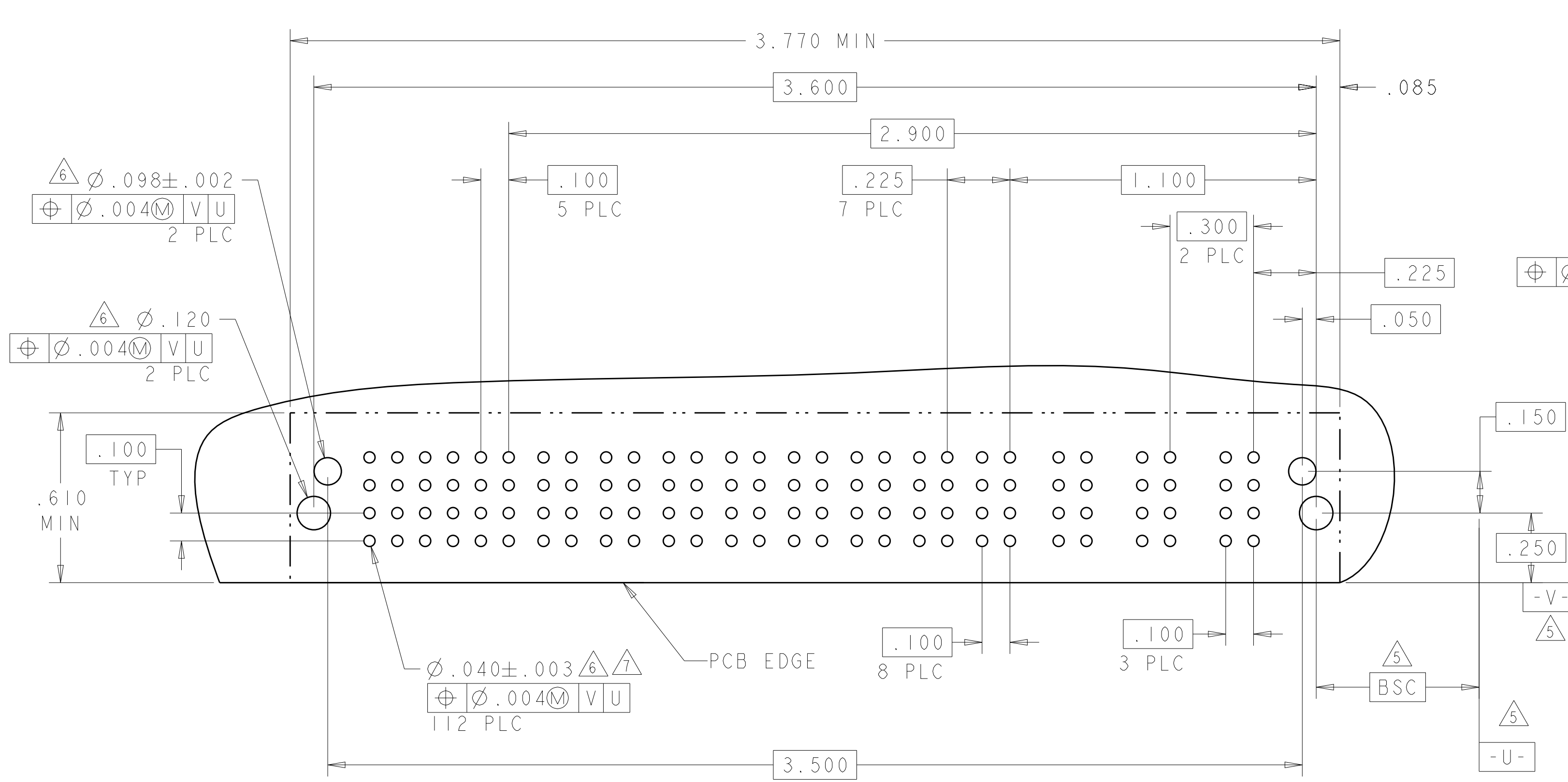
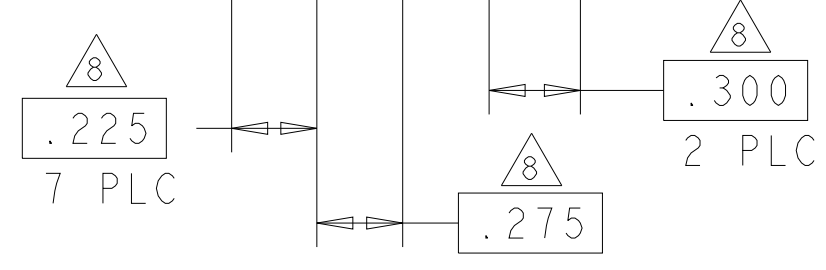
SIZE: A100779 C=6450882

SCALE: 4:1 SHEET: 2 OF 4 REV: A6

LOC	DIST	REVISIONS			
ES	00	REV	DATE	BY	APPV
		1	SEE SHEET 1		

PART NUMBER	ROWS	SIGNAL						POWER											
		6	5	4	3	2	1	P11	P10	P9	P8	P7	P6	P5	P4	P3	P2	P1	
6450882-9	D	D	D	D	D	D	D	RS	RS	RS	RS	RS	RS	RS	RS	RS	RS	RS	
	C	C	C	C	C	C	C	RS	RS	RS	RS	RS	RS	RS	RS	RS	RS	RS	
	B	B	B	B	B	B	B	RS	RS	RS	RS	RS	RS	RS	RS	RS	RS	RS	
	A	A	A	A	A	A	A	RS	RS	RS	RS	RS	RS	RS	RS	RS	RS	RS	
3ACP + 8P + 24S		HD																HD	

PART NUMBER	ROWS	SIGNAL						POWER											
		6	5	4	3	2	1	P10	P9	P8	P7	P6	P5	P4	P3	P2	P1		
6450882-4	D	D	D	D	D	D	D	RS	RS	RS	RS	RS	RS	RS	RS	RS	RS	RS	
	C	C	C	C	C	C	C	RS	RS	RS	RS	RS	RS	RS	RS	RS	RS	RS	
	B	B	B	B	B	B	B	RS	RS	RS	RS	RS	RS	RS	RS	RS	RS	RS	
	A	A	A	A	A	A	A	RS	RS	RS	RS	RS	RS	RS	RS	RS	RS	RS	
10HDP + 24S		HD																HD	



THIS DRAWING IS A CONTROLLED DOCUMENT. DWN: ORANDO L1 19NOV2009  
 CHK: SUNY ZHAO 19NOV2009  
 APYB: STEVEN YAO

DIMENSIONS: INCHES  
 TOLERANCES UNLESS OTHERWISE SPECIFIED:  
 0 PLC ±.01  
 1 PLC ±.01  
 2 PLC ±.01  
 3 PLC ±.005  
 4 PLC ±.002  
 ANGLES ±.020

MATERIAL: -  
 FINISH: -

APPROVED: STEVEN YAO  
 PRODUCT SPEC: 108-2292  
 APPLICATION SPEC: 114-13038  
 WEIGHT: -

CUSTOMER DRAWING

NAME: RIGHT ANGLE RECEPTACLE AND SHORT END MODULAR MULTI-BEAM XLE  
 SIZE: A1  
 CAGE CODE: 100779  
 DRAWING NO: 6450882

SCALE: 4:1  
 SHEET: 3 OF 4  
 REV: A6

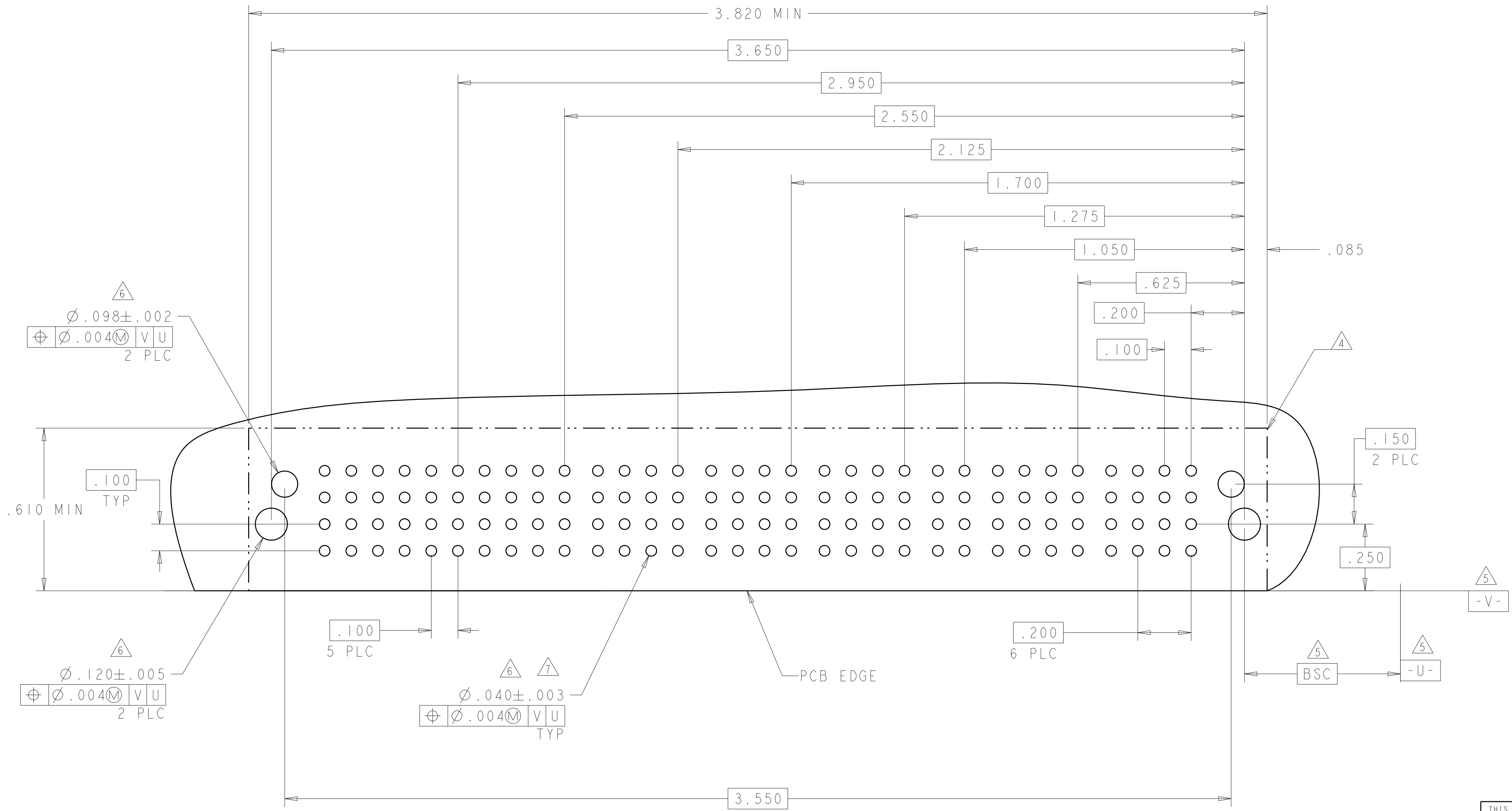
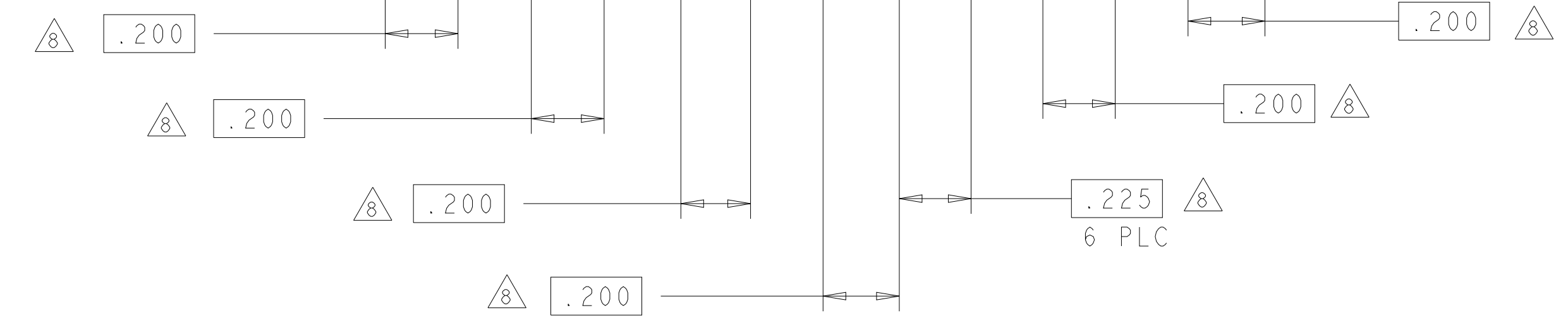
TE Connectivity



LOC	DIST	REVISIONS					
		P	LTN	DESCRIPTION	DATE	DWN	APVD
ES	00	-	-	SEE SHEET 1	-	-	-

PART NUMBER	ROWS	SIGNAL						POWER												
		6	5	4	3	2	1	P13	P12	P11	P10	P9	P8	P7	P6	P5	P4	P3	P2	P1
6450882-7	D	D	D	D	D	D	D	RS	RS	RS	RS	RS	RS	RS	RS	RP	RS	RS	RS	RS
	C	C	C	C	C	C	C	RS	RS	RS	RS	RS	RS	RS	RS	RS	RS	RS	RS	RS
	B	B	B	B	B	B	B	RS	RS	RS	RS	RS	RS	RS	RS	RS	RS	RS	RS	RS
	A	A	A	A	A	A	A	RS	RS	RS	RS	RS	RS	RS	RS	RS	RS	RS	RS	RS

13P + 24S



THIS DRAWING IS A CONTROLLED DOCUMENT.		DWN: LORANDO LI 19NOV2009	TE Connectivity
DIMENSIONS: INCHES		CHK: SUNY ZHAO 19NOV2009	
TOLERANCES UNLESS OTHERWISE SPECIFIED: 0 PLC ±.01 1 PLC ±.01 2 PLC ±.01 3 PLC ±.005 4 PLC ±.002 ANGLES ±.2° FINISH		APVD: STEVEN YAO PRODUCT SPEC: 108-2292 APPLICATION SPEC: 114-13038 WEIGHT:	NAME: RIGHT ANGLE RECEPTACLE AND SHORT END MODULAR MULTI-BEAM XLE SIZE: A100779 CAGE CODE: C=6450882 RESTRICTED TO:
MATERIAL:		SCALE: 4:1	SHEET: 4 OF 4
CUSTOMER DRAWING		REV: A6	

单击下面可查看定价，库存，交付和生命周期等信息

[>>TE Connectivity\(泰科\)](#)