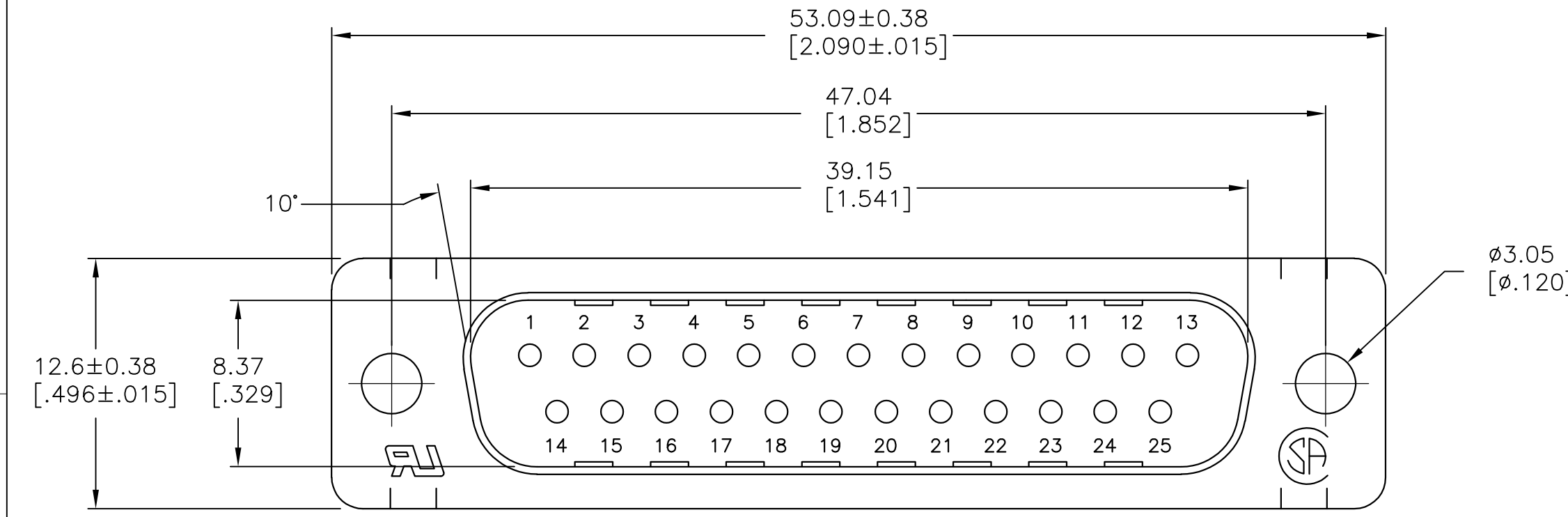
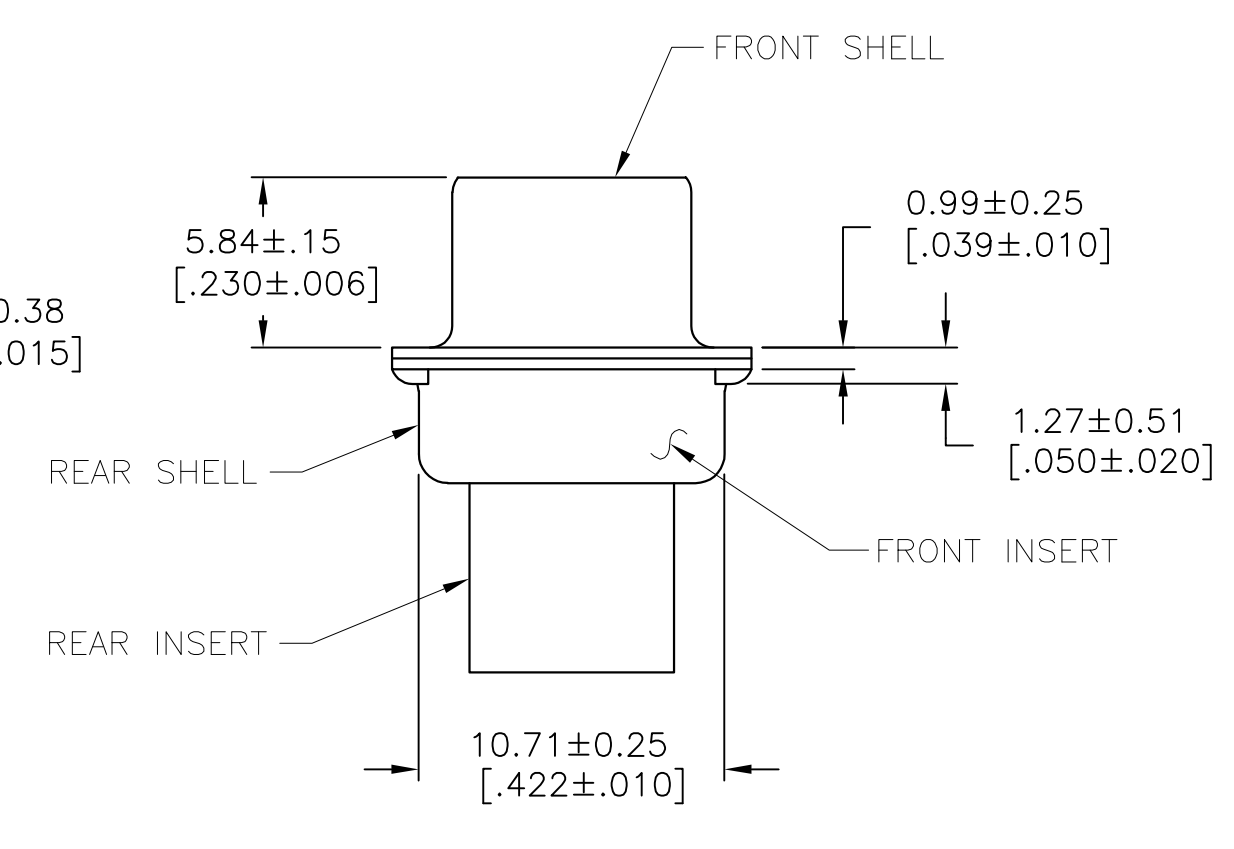
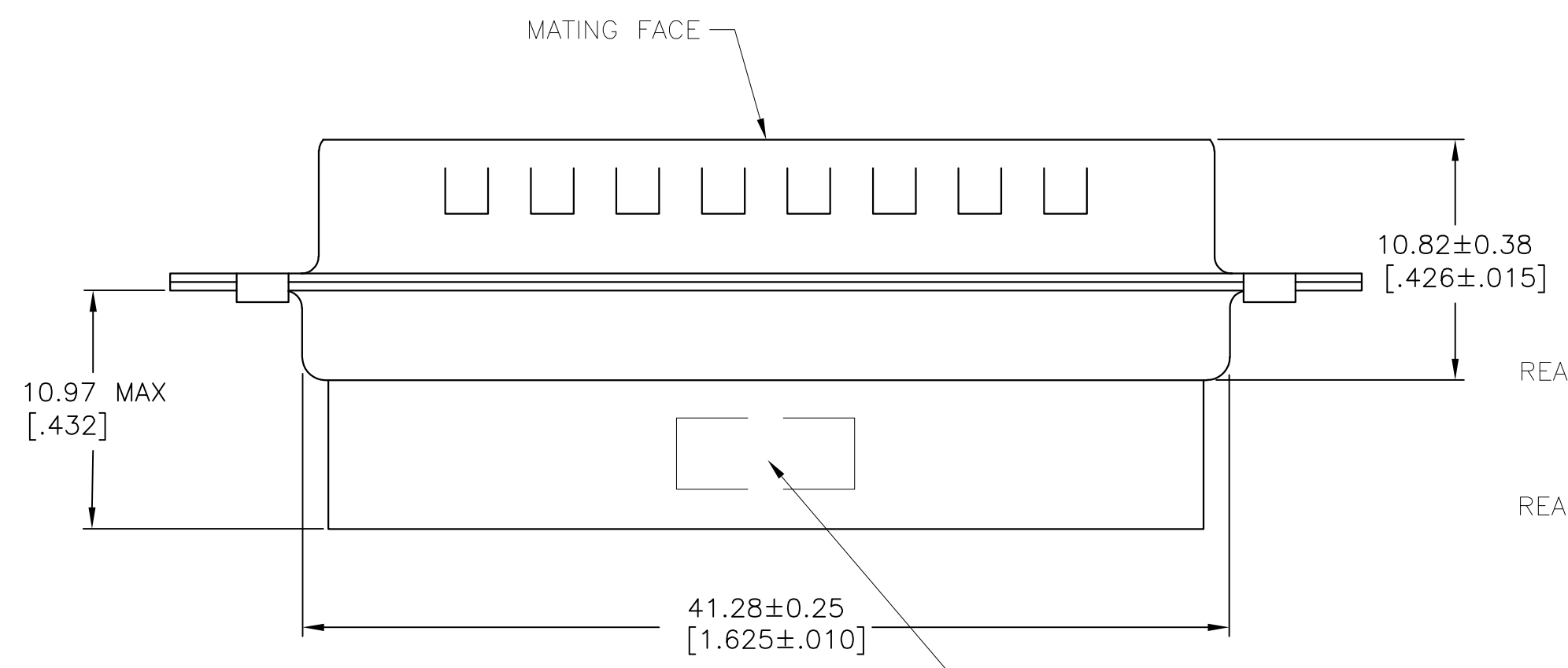


THIS DRAWING IS UNPUBLISHED. RELEASED FOR PUBLICATION. ALL RIGHTS RESERVED. © COPYRIGHT 2006 By -

LOC	DIST	P	LTR	DESCRIPTION	DATE	DWN	APVD
GP	00		B	REVISED PER ECO-14-011808	09AUG2014	AP	SB



- 1. INSERTS: GLASS-FILLED PBT OR GLASS-FILLED NYLON, UL94V-0 RATED. COLOR: BLACK
SHELLS: CARBON STEEL.
- 2. SHELLS: 0.00254[.000100] MIN TIN OVER 0.00051[.000020] MIN NICKEL OVER 0.00254[.000100] MIN COPPER.
- 3. CONNECTOR ACCEPTS SIZE 20 DF PIN CONTACTS. RETENTION TINES ARE AN INTEGRAL PART OF INSERT.



TYCO, PART NO & DATE CODE, MARKED IN AREA INDICATED ON FAR SIDE

1888307-1
PART NUMBER

THIS DRAWING IS A CONTROLLED DOCUMENT.		DWN J.GERACE 28MAR06	 TE Connectivity	NAME	
DIMENSIONS: mm[INCHES]		CHK C.ROHDE 27AMR06		PRODUCT SPEC	
TOLERANCES UNLESS OTHERWISE SPECIFIED:		APVD M.WALMSLEY 27MAR06		108-40005	
0 PLC ± -		APPLICATION SPEC			
1 PLC ± -		114-40030		RESTRICTED TO	
2 PLC ± -		SIZE CAGE CODE DRAWING NO		APVD	
3 PLC ± 0.13[.005]		A2 00779 C-1888307		SCALE 4:1 SHEET 1 OF 1 REV B	
4 PLC ± ± 2'		WEIGHT		CUSTOMER DRAWING	
MATERIAL		FINISH			

单击下面可查看定价，库存，交付和生命周期等信息

[>>TE Connectivity\(泰科\)](#)