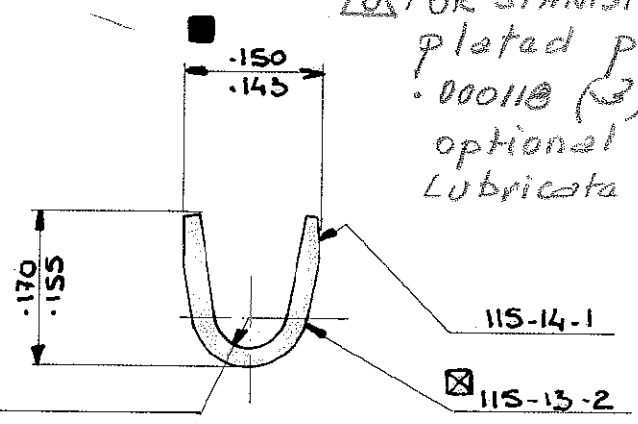
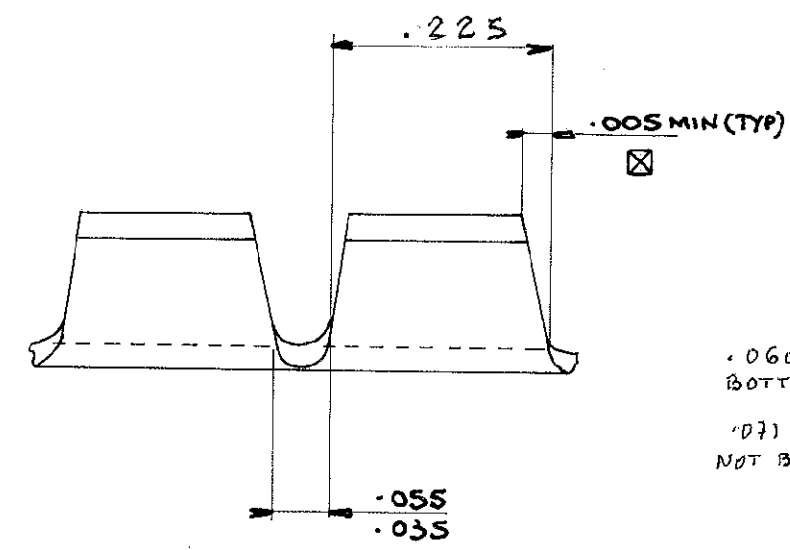
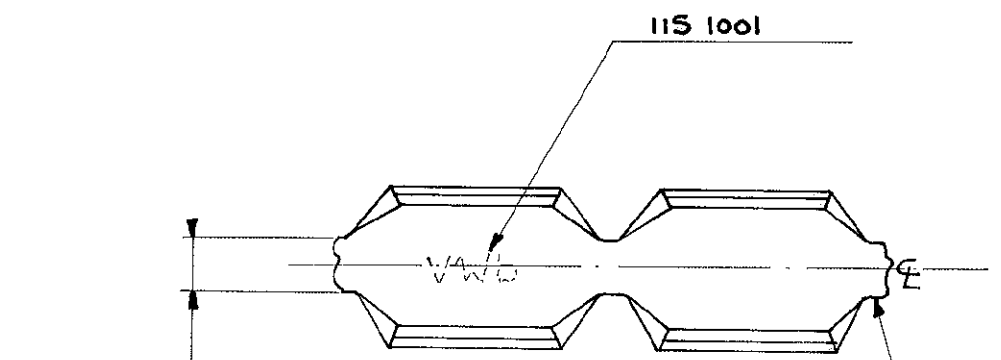


N° 140778  
A3

METRIC		CODE	GAGE NO

NOTES -   
 ⚠️ NI PLATED 112-25.2 THK .000150 MIN. OVER COPPER FLASH  
 LUBRICATE AFTER PLATING SPEC 118-53.2  
 COPPER FLASH OPTIONAL FOR FOREIGN PRODUCTION  
 2 SPLICE FREE PER SPEC 115-1000

⚠️ TIN PLATED 112-16.3 THK .000080/.000250  
 ⚠️ FOREIGN PRODUCTION  
 ⚠️ FOR SPANISH PRODUCTION = Nickel plated per 112-246-1  
 .000110 (3 μm) min thk. over optional copper flash.  
 Lubricate after plating (4-790452-3).



.060 DIA PIN MUST BOTTOM IN BARREL  
 .071 DIA PIN MUST NOT BOTTOM IN BARREL

7-702410-0	PRE-NI PLATED 112-25.2 THK 2 μm MIN	STEEL 100-21 T4	140837-3
77373-0	NICKEL PLATED 112-25.2	STEEL 100-21 T4	140837-2
	PLAIN		140837-1
	TIN PLATED 112-16-3	BRASS 100-41027 T2	140778-2
	PLAIN		140778-1
MATERIAL STOCK NUMBER	FINISH	MATERIAL	AMP PART NUMBER

Ce plan est confidentiel, il ne peut être communiqué à quiconque n'appartient pas à AMP sans une autorisation écrite de AMP de France SA

DIMENSIONS IN MM. DO NOT SCALE PRINT. Dimensions en mm. Restitution non à l'échelle

K	Added NOTE 6	8/29	DR 11/01
J	285 WAS 209/219	10/4 WAS 2014	DR 11/3/87
I	WITHDRAWN NOTE B	4/6/87	REV 2/1/87
H	ADDED PN 140837-3	4/6/87	REV 2/1/87
G	REDRAWN AND UP DATED	4/7/87	REV 11/16/87
	WAS NPS		
LTR	REVISION RECORD	ECN	DR DATE

SPECIFICATIONS	WIRE CRIMP	INS. CRIMP	SB.
REELING - 107-3 FIG 10	LAYOUT NO	SURFACE AREA - 1842 SQ. IN	
SPLICE - 115	DIE 1253	QTY/REEL 10M	
HEAT TREATING - 111	DIE FEED .270 ± .003	APPL FEED .270 ± .003	
FINISH - 112	WDW .343	IDW	

STOCK THK .0201 x .343	REF	REF	WIRE RANGE 1.500 TO 4.500 CMA
TRIMMING BURR NOT TO EXCEED	IN.		UNLESS OTHER WISE SPECIFIED ± 0.12 MM
Control Priority Dimensions		NAME	
<input checked="" type="checkbox"/> CRITICAL	<input checked="" type="checkbox"/> MAJOR	SPLICE	
<input type="checkbox"/> None	<input type="checkbox"/> MINOR		
DR B. ALLAIS 16 JANVIER 1987	APPD	SCALE 5	LOC F
CHK REV 11/2/87	REL	NUMBER B	SHEET 1/1

AMP DE FRANCE 95301 PONTOISE	
NUMBER 140778	REV K

单击下面可查看定价，库存，交付和生命周期等信息

[>>TE Connectivity\(泰科\)](#)