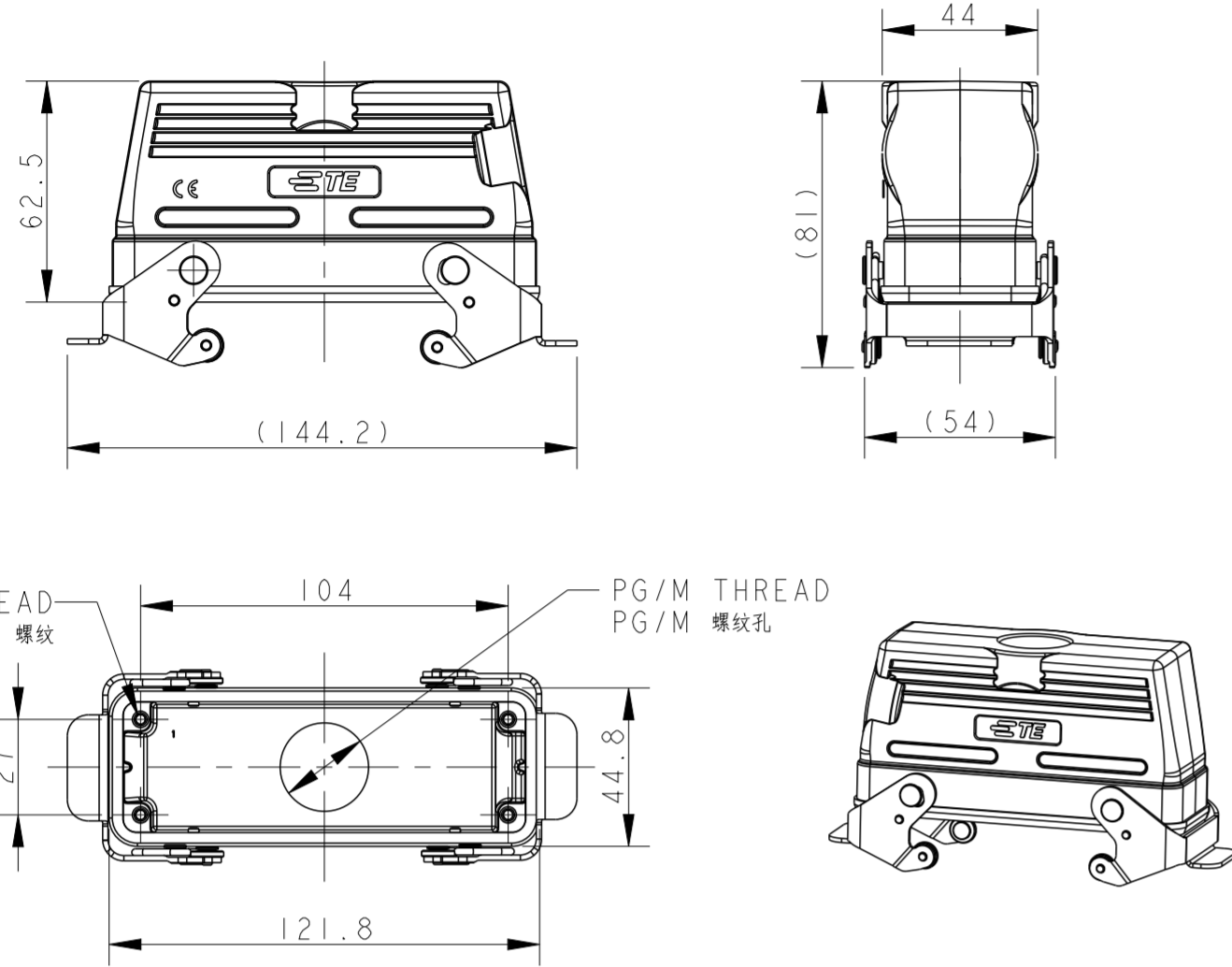
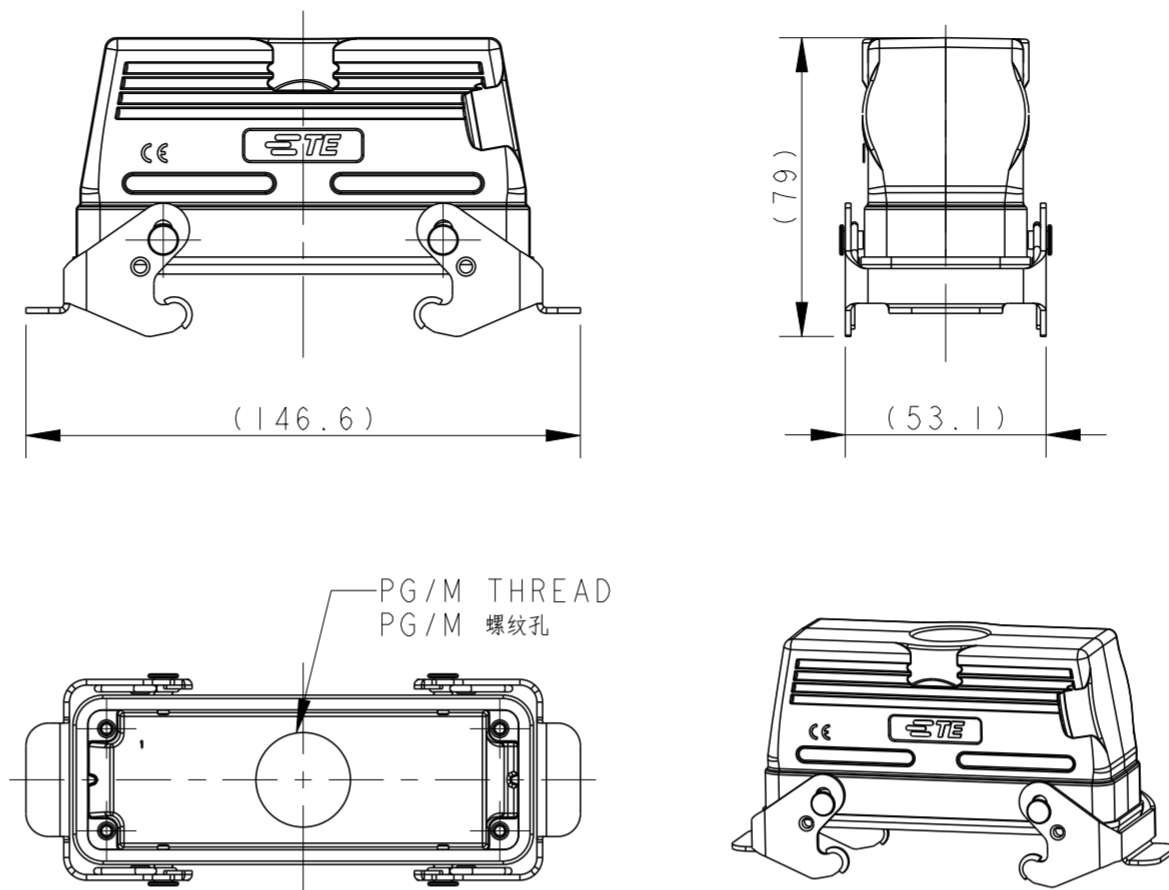


THIS DRAWING IS UNPUBLISHED. RELEASED FOR PUBLICATION 20
 © COPYRIGHT 20 BY - ALL RIGHTS RESERVED.

TYPE 1: LOW CONSTRUCTION + STAINLESS STEEL DOUBLE LOCKING
 类型1: 低结构壳体+不锈钢双扣



TYPE 2: LOW CONSTRUCTION + METAL DOUBLE LOCKING
 OTHER SPEC REFER TO TYPE 1
 类型2: 低结构壳体+彩锌双扣, 其他规格参照类型1

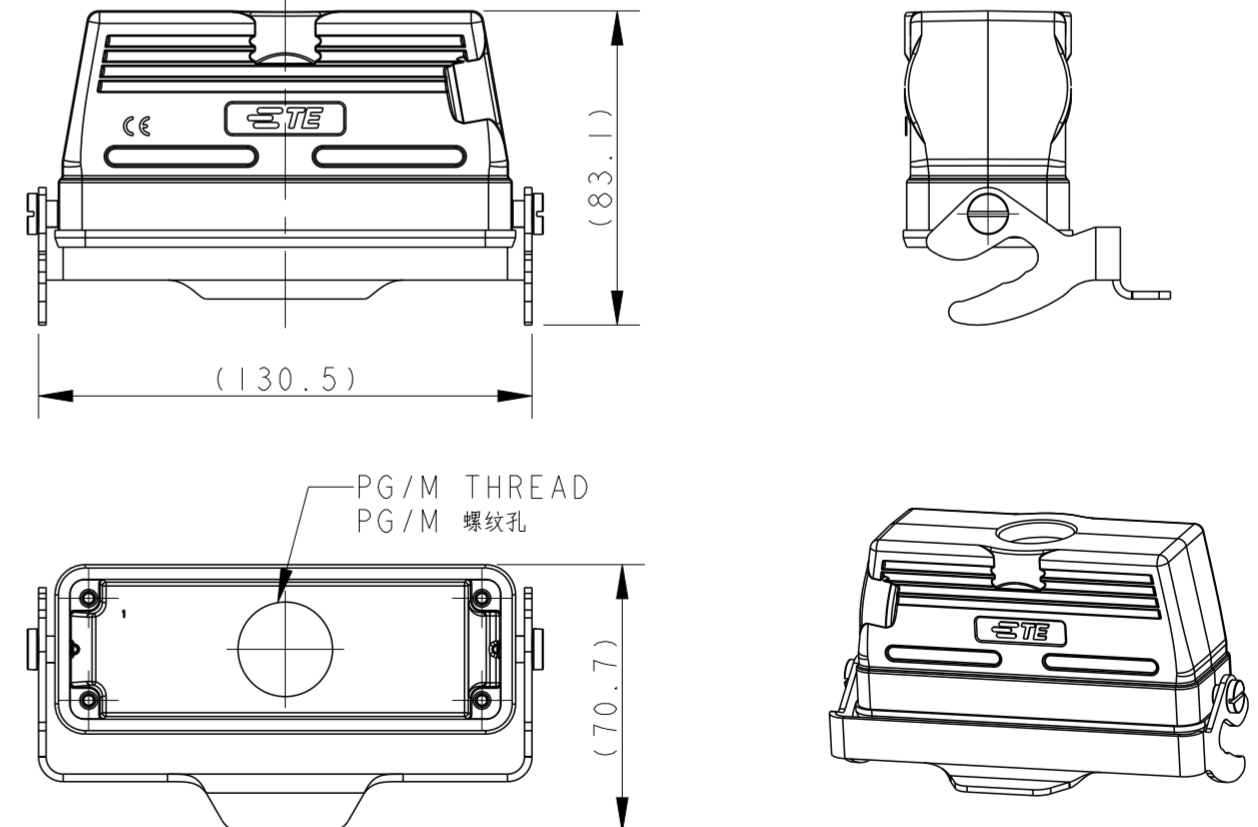


REVISIONS				
P	LTR	DESCRIPTION	DATE	APVD
A		INITIAL RELEASE	03JUL2015	DL CW
A1		ECR-16-013642	09MAY2017	BS CW
B		ECR-20-014876	27JUL2021	WOR CW
B1		ECR-22-137196	28APR2022	QY CW

NOTES:
 1. TECHNICAL CHARACTERISTICS:
 BODY MATERIAL: DIE CAST ALUMINIUM ALLOY
 SURFACE TREATMENT: POWDER COATED, GREY
 DEGREE OF PROTECTION: IP65 (MATED)

注释:
 1. 技术参数:
 主体材料: 铝合金
 表面处理: 灰色粉末喷涂
 防护等级: IP65(配合)

TYPE 3: LOW CONSTRUCTION + METAL SINGLE LOCKING
 OTHER SPEC REFER TO TYPE 1
 类型3: 低结构壳体+彩锌单扣, 其他规格参照类型1



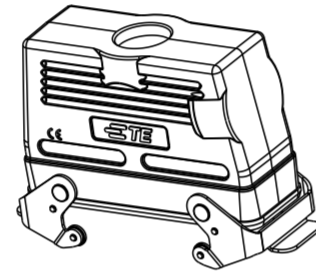
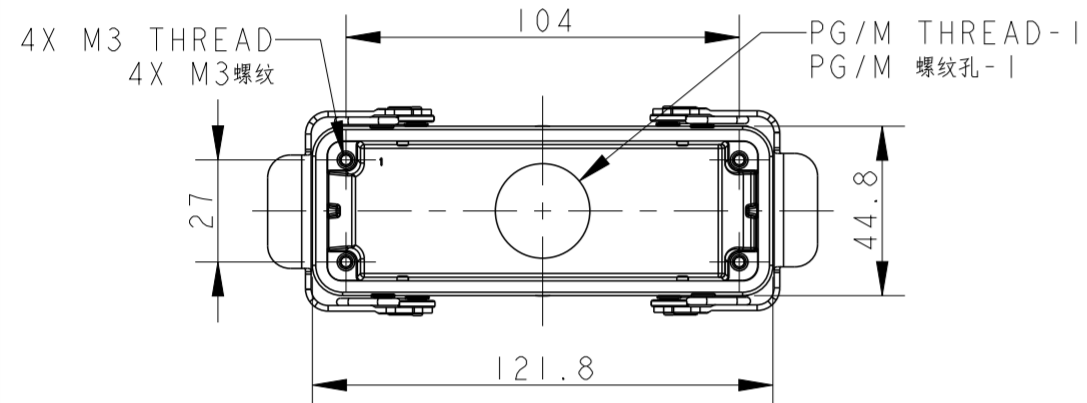
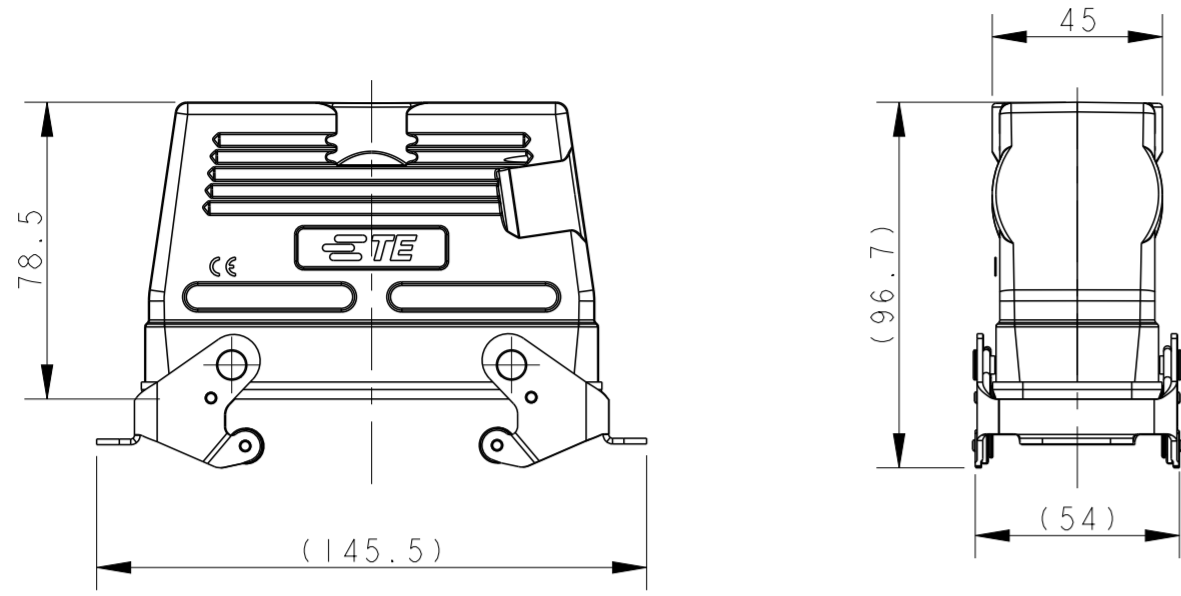
PART NUMBER 料号	PART DESCRIPTION 描述	PG/M THREAD PG/M 螺纹孔	TYPE 类型
T1710241121-000	H24B HOUSING, CABLE-TO-CABLE, STAINLESS STEEL DOUBEL LOCKING, TOP ENTRY PG21, LOW CONSTRUCTION, POWDER COATED, GRAY H24B下壳, 电缆对接, 不锈钢双扣, 顶出PG21, 低结构, 灰色粉末喷涂	PG21	TYPE 1 类型 1
T1710241125-000	H24B HOUSING, CABLE-TO-CABLE, STAINLESS STEEL DOUBEL LOCKING, TOP ENTRY M25, LOW CONSTRUCTION, POWDER COATED, GRAY H24B下壳, 电缆对接, 不锈钢双扣, 顶出M25, 低结构, 灰色粉末喷涂	M25	
T1710241132-000	H24B HOUSING, CABLE-TO-CABLE, STAINLESS STEEL DOUBEL LOCKING, TOP ENTRY M32, LOW CONSTRUCTION, POWDER COATED, GRAY H24B下壳, 电缆对接, 不锈钢双扣, 顶出M32, 低结构, 灰色粉末喷涂	M32	
T1710241132-100	H24B HOUSING, CABLE-TO-CABLE, STAINLESS STEEL DOUBEL LOCKING, TOP ENTRY M32, LOW CONSTRUCTION, NO LOGO, POWDER COATED, GRAY H24B下壳, 电缆对接, 不锈钢双扣, 顶出M32, 低结构, 无标志, 灰色粉末喷涂	M32	
T1710242121-000	H24B HOUSING, CABLE-TO-CABLE, METAL DOUBLE LOCKING, TOP ENTRY PG21, LOW CONSTRUCTION, POWDER COATED, GRAY H24B下壳, 电缆对接, 彩锌双扣, 顶出PG21, 低结构, 灰色粉末喷涂	PG21	TYPE 2 类型 2
T1710242125-000	H24B HOUSING, CABLE-TO-CABLE, METAL DOUBLE LOCKING, TOP ENTRY M25, LOW CONSTRUCTION, POWDER COATED, GRAY H24B下壳, 电缆对接, 彩锌双扣, 顶出M25, 低结构, 灰色粉末喷涂	M25	
T1710242129-000	H24B HOUSING, CABLE-TO-CABLE, METAL DOUBLE LOCKING, TOP ENTRY PG29, LOW CONSTRUCTION, POWDER COATED, GRAY H24B下壳, 电缆对接, 彩锌双扣, 顶出PG29, 低结构, 灰色粉末喷涂	PG29	
T1710242132-000	H24B HOUSING, CABLE-TO-CABLE, METAL DOUBLE LOCKING, TOP ENTRY M32, LOW CONSTRUCTION, POWDER COATED, GRAY H24B下壳, 电缆对接, 彩锌双扣, 顶出M32, 低结构, 灰色粉末喷涂	M32	
T1710242134-000	H24B HOUSING, CABLE-TO-CABLE, METAL DOUBLE LOCKING, TOP ENTRY G3/4, LOW CONSTRUCTION, POWDER COATED, GRAY H24B下壳, 电缆对接, 彩锌双扣, 顶出G3/4, 低结构, 灰色粉末喷涂	G3/4	TYPE 3 类型 3
T1730242121-000	H24B HOUSING, CABLE-TO-CABLE, METAL SINGLE LOCKING, TOP ENTRY PG21, LOW CONSTRUCTION, POWDER COATED, GRAY H24B下壳, 电缆对接, 彩锌单扣, 顶出PG21, 低结构, 灰色粉末喷涂	PG21	
T1730242125-000	H24B HOUSING, CABLE-TO-CABLE, METAL SINGLE LOCKING, TOP ENTRY M25, LOW CONSTRUCTION, POWDER COATED, GRAY H24B下壳, 电缆对接, 彩锌单扣, 顶出M25, 低结构, 灰色粉末喷涂	M25	
T1730242132-000	H24B HOUSING, CABLE-TO-CABLE, METAL SINGLE LOCKING, TOP ENTRY M32, LOW CONSTRUCTION, POWDER COATED, GRAY H24B下壳, 电缆对接, 彩锌单扣, 顶出M32, 低结构, 灰色粉末喷涂	M32	

THIS DRAWING IS A CONTROLLED DOCUMENT.

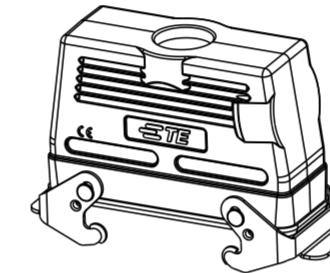
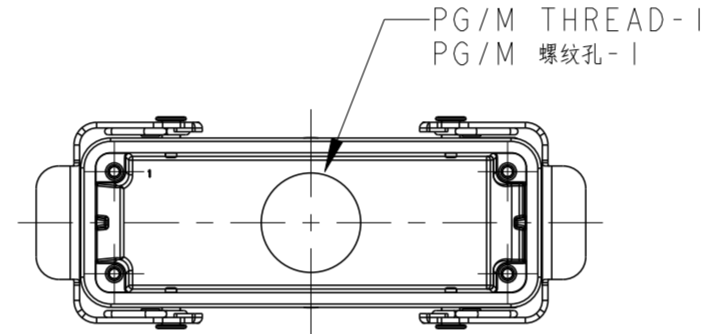
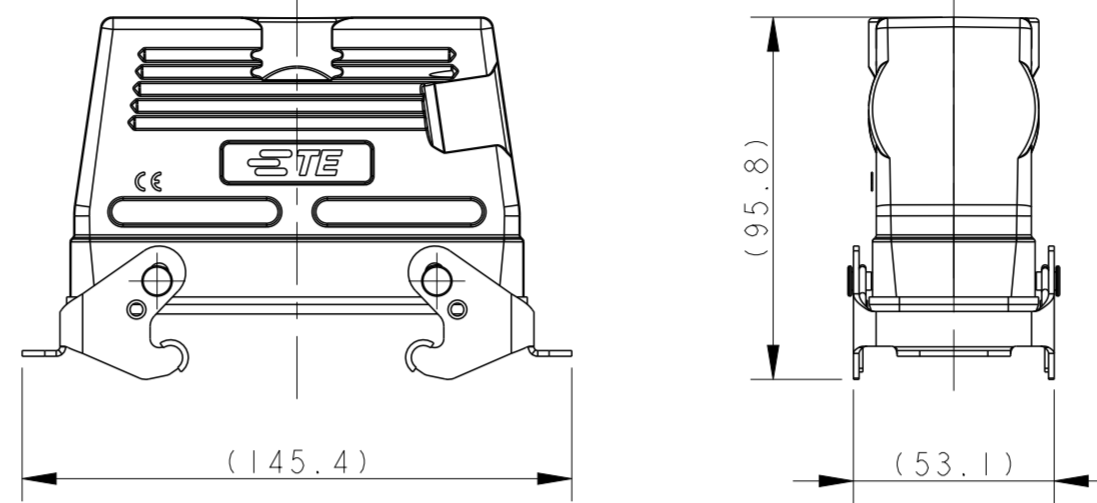
DWN DAVID LI 03JUL2015	TE Connectivity
CHK CHRIS WANG 03JUL2015	
APVD XU XIANG 03JUL2015	
PRODUCT SPEC 108-137013	
MATERIAL -	NAME H24B-TBFS/TBF-LB/TBF-PG/M
TOLERANCES UNLESS OTHERWISE SPECIFIED:	SIZE A2
0 PLC ±	CAGE CODE -
1 PLC ±	DRAWING NO. C-T17X024XXXX000
2 PLC ±	RESTRICTED TO
3 PLC ±	SCALE 1:2
4 PLC ±	SHEET 1 OF 3
ANGLES ±	REV B1
FINISH -	CUSTOMER DRAWING

THIS DRAWING IS UNPUBLISHED. RELEASED FOR PUBLICATION 20
 © COPYRIGHT 20 BY - ALL RIGHTS RESERVED.

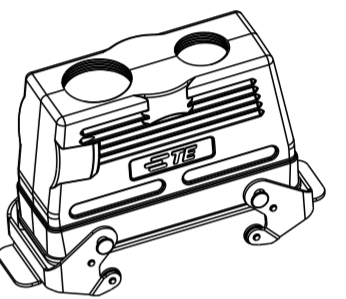
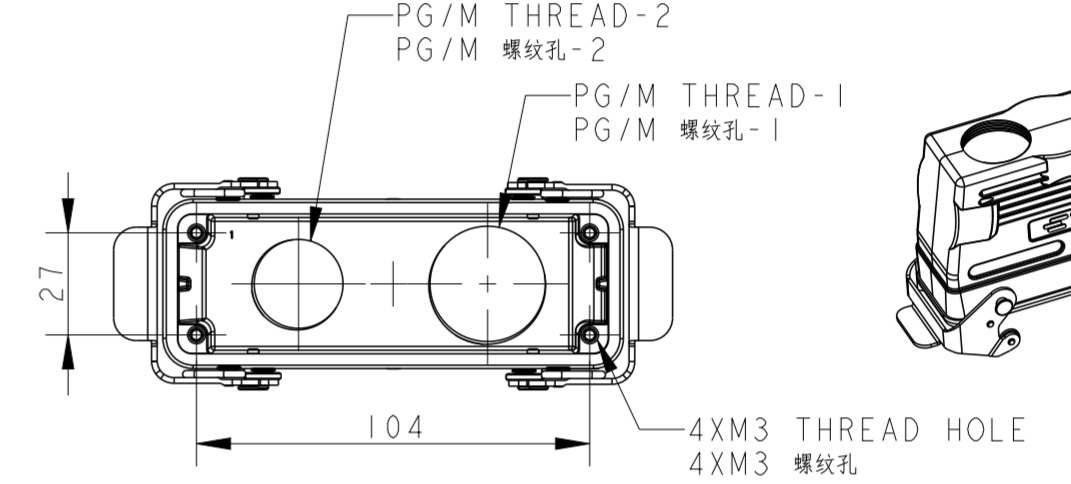
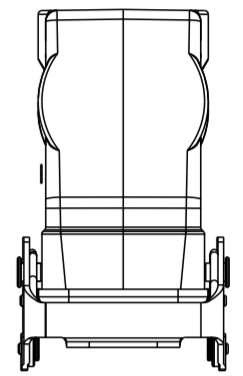
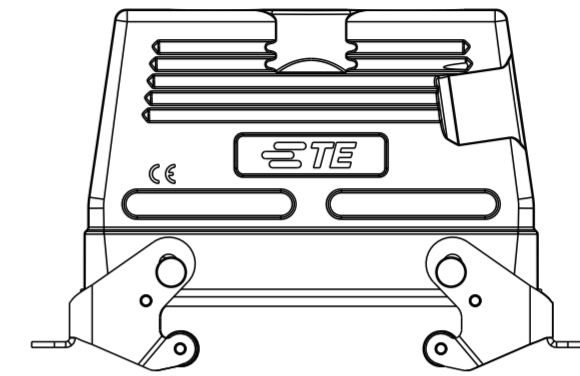
TYPE 4: HIGH CONSTRUCTION + STAINLESS STEEL DOUBLE LOCKING
 类型4: 高结构壳体+不锈钢双扣



TYPE 5: HIGH CONSTRUCTION + METAL DOUBLE LOCKING
 OTHER SPEC REFER TO TYPE 4
 类型5: 高结构壳体+彩锌双扣, 其他规格参照类型4

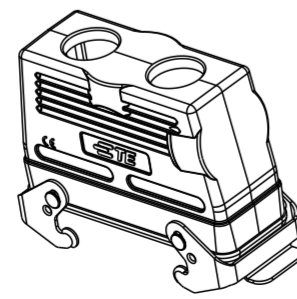
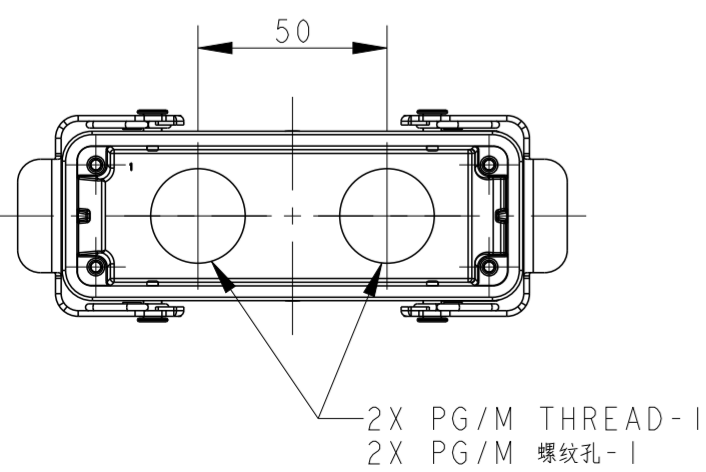
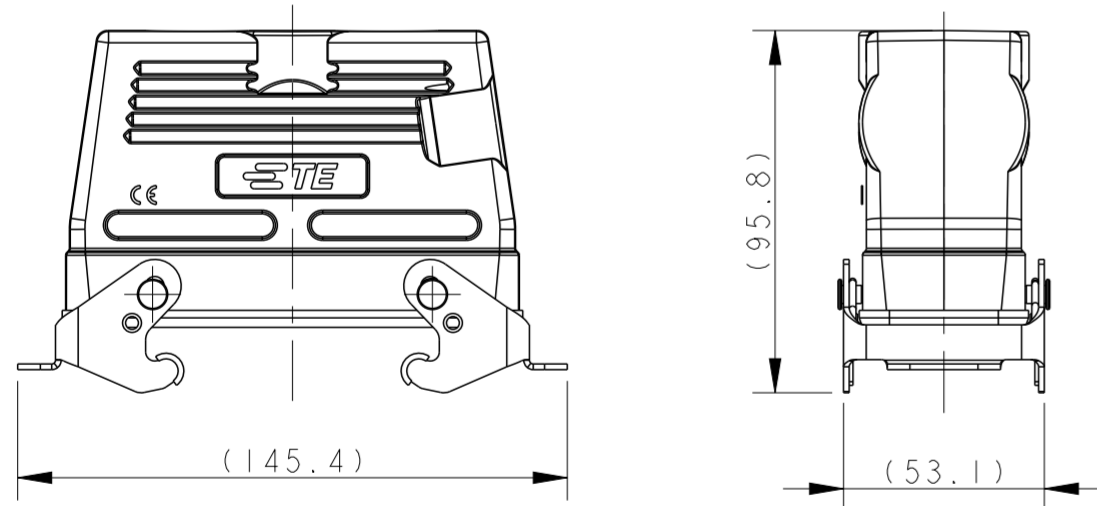


TYPE 8: HIGH CONSTRUCTION + STAINLESS STEEL DOUBLE LOCKING + TOP ENTRY+2 HOLE, OTHER SPEC REFER TO TYPE 4
 类型8: 高结构壳体+不锈钢双扣+顶出+2个进线孔, 其他规格参照类型4

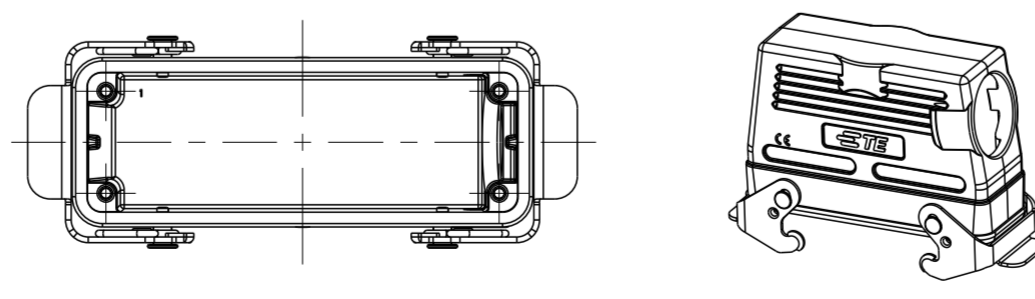
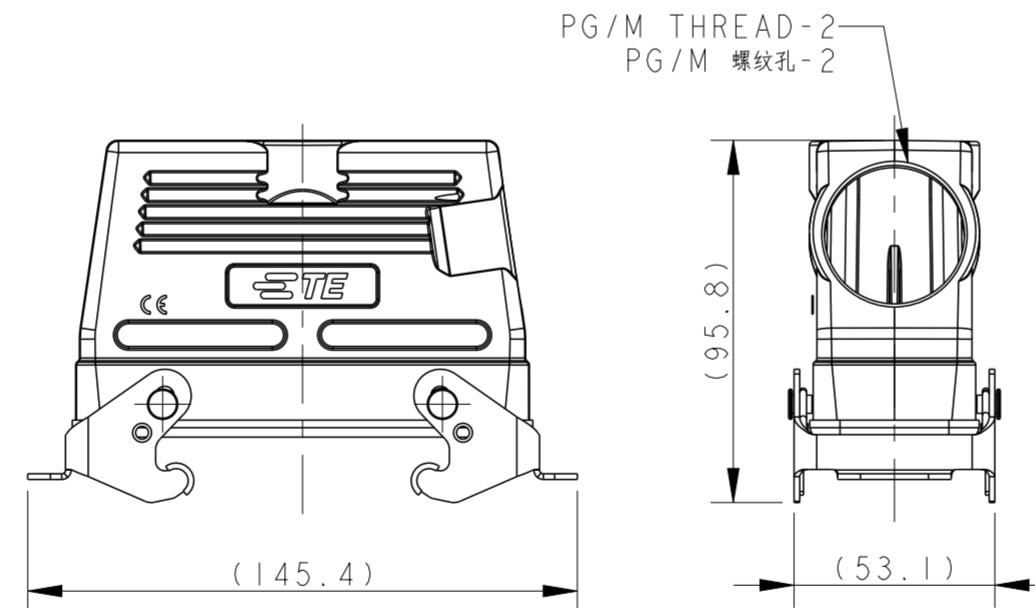


NOTE:
SEE SHEET 1

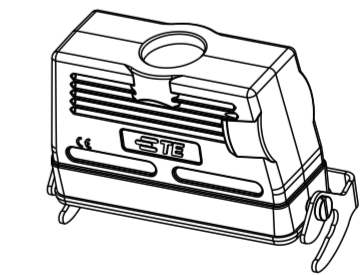
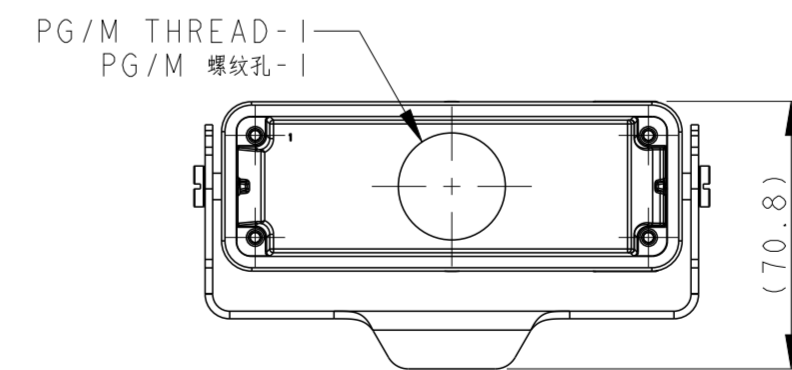
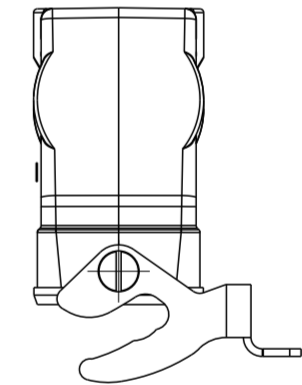
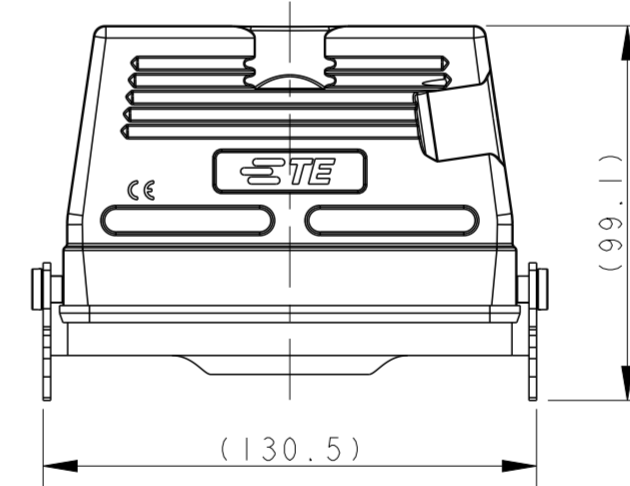
TYPE 6: HIGH CONSTRUCTION + METAL DOUBLE LOCKING + TOP ENTRY+2 HOLE, OTHER SPEC REFER TO TYPE 4
 类型6: 高结构壳体+彩锌双扣+顶出+2个进线孔, 其他规格参照类型4



TYPE 7: HIGH CONSTRUCTION + METAL DOUBLE LOCKING + SIDE ENTRY, OTHER SPEC REFER TO TYPE 4
 类型7: 高结构壳体+彩锌双扣+侧出进线孔, 其他规格参照类型4



TYPE 9: HIGH CONSTRUCTION + METAL SINGLE LOCKING, OTHER SPEC REFER TO TYPE 4
 类型9: 高结构壳体+彩锌单扣, 其他规格参照类型4



REVISIONS				
P	LTR	DESCRIPTION	DATE	APVD
-	-	SEE SHEET 1	-	-

THIS DRAWING IS A CONTROLLED DOCUMENT.		DWN DAVID LI 03JUL2015	TE Connectivity	
DIMENSIONS: mm		CHK CHRIS WANG 03JUL2015		
TOLERANCES UNLESS OTHERWISE SPECIFIED:		APVD XU XIANG 03JUL2015	NAME H24B-TBFS/TBF-LB/TBF-PG/M	
0 PLC	±	PRODUCT SPEC	SIZE A2	
1 PLC	±	108-137013	CAGE CODE -	
2 PLC	±	APPLICATION SPEC	DRAWING NO. C-T17X024XXXX000	
3 PLC	±	114-137013	RESTRICTED TO	
4 PLC	±	WEIGHT -	SCALE 1:2	
ANGLES	±	CUSTOMER DRAWING	SHEET 2 OF 3	
FINISH	-		REV B1	

THIS DRAWING IS UNPUBLISHED. RELEASED FOR PUBLICATION 20
 © COPYRIGHT 20 BY - ALL RIGHTS RESERVED.

REVISIONS				
P	LTR	DESCRIPTION	DATE	DWN APVD
-		SEE SHEET 1	-	-

NOTE:
SEE SHEET 1

PART NUMBER 料号	PART DESCRIPTION 描述	PG/M THREAD-1 PG/M 螺纹孔-1	PG/M THREAD-2 PG/M 螺纹孔-2	TYPE 类型
TI750241121-000	H24B HOUSING, CABLE-TO-CABLE, STAINLESS STEEL DOUBEL LOCKING, TOP ENTRY PG21, HIGH CONSTRUCTION, POWDER COATED, GRAY H24B下壳, 电缆对接, 不锈钢双扣, 顶出PG21, 高结构, 灰色粉末喷涂	PG21	-	TYPE 4 类型 4
TI750241125-000	H24B HOUSING, CABLE-TO-CABLE, STAINLESS STEEL DOUBEL LOCKING, TOP ENTRY M25, HIGH CONSTRUCTION, POWDER COATED, GRAY H24B下壳, 电缆对接, 不锈钢双扣, 顶出M25, 高结构, 灰色粉末喷涂	M25	-	
TI750241129-000	H24B HOUSING, CABLE-TO-CABLE, STAINLESS STEEL DOUBEL LOCKING, TOP ENTRY PG29, HIGH CONSTRUCTION, POWDER COATED, GRAY H24B下壳, 电缆对接, 不锈钢双扣, 顶出PG29, 高结构, 灰色粉末喷涂	PG29	-	
TI750241132-000	HH24B HOUSING, CABLE-TO-CABLE, STAINLESS STEEL DOUBEL LOCKING, TOP ENTRY M32, HIGH CONSTRUCTION, POWDER COATED, GRAY H24B下壳, 电缆对接, 不锈钢双扣, 顶出M32, 高结构, 灰色粉末喷涂	M32	-	
TI750242121-000	H24B HOUSING, CABLE-TO-CABLE, METAL DOUBLE LOCKING, TOP ENTRY PG21, HIGH CONSTRUCTION, POWDER COATED, GRAY H24B下壳, 电缆对接, 彩锌双扣, 顶出PG21, 高结构, 灰色粉末喷涂	PG21	-	TYPE 5 类型 5
TI750242125-000	H24B HOUSING, CABLE-TO-CABLE, METAL DOUBLE LOCKING, TOP ENTRY M25, HIGH CONSTRUCTION, POWDER COATED, GRAY H24B下壳, 电缆对接, 彩锌双扣, 顶出M25, 高结构, 灰色粉末喷涂	M25	-	
TI750242129-000	H24B HOUSING, CABLE-TO-CABLE, METAL DOUBLE LOCKING, TOP ENTRY PG29, HIGH CONSTRUCTION, POWDER COATED, GRAY H24B下壳, 电缆对接, 彩锌双扣, 顶出PG29, 高结构, 灰色粉末喷涂	PG29	-	
TI750242132-000	H24B HOUSING, CABLE-TO-CABLE, METAL DOUBLE LOCKING, TOP ENTRY M32, HIGH CONSTRUCTION, POWDER COATED, GRAY H24B下壳, 电缆对接, 彩锌双扣, 顶出M32, 高结构, 灰色粉末喷涂	M32	-	
TI750242140-000	H24B HOUSING, CABLE-TO-CABLE, METAL DOUBLE LOCKING, TOP ENTRY M40, HIGH CONSTRUCTION, POWDER COATED, GRAY H24B下壳, 电缆对接, 彩锌双扣, 顶出M40, 高结构, 灰色粉末喷涂	M40	-	TYPE 6 类型 6
TI750242221-000	H24B HOUSING, CABLE-TO-CABLE, METAL DOUBLE LOCKING, TOP ENTRY 2PG21, HIGH CONSTRUCTION, POWDER COATED, GRAY H24B下壳, 电缆对接, 彩锌双扣, 顶出2PG21, 高结构, 灰色粉末喷涂	2X PG21	-	
TI750242225-000	H24B HOUSING, CABLE-TO-CABLE, METAL DOUBLE LOCKING, TOP ENTRY 2M25, HIGH CONSTRUCTION, POWDER COATED, GRAY H24B下壳, 电缆对接, 彩锌双扣, 顶出2M25, 高结构, 灰色粉末喷涂	2X M25	-	TYPE 7 类型 7
TI790242129-000	H24B HOUSING, CABLE-TO-CABLE, METAL DOUBLE LOCKING, SIDE ENTRY PG29, HIGH CONSTRUCTION, POWDER COATED, GRAY H24B下壳, 电缆对接, 彩锌双扣, 侧出PG29, 高结构, 灰色粉末喷涂	-	PG29	
TI790243225-000	H24B HOUSING, CABLE-TO-CABLE, STAINLESS STEEL DOUBLE LOCKING, TOP ENTRY M32/M25, HIGH CONSTRUCTION, POWDER COATED, GRAY H24B下壳, 电缆对接, 不锈钢双扣, 顶出M32/M25, 高结构, 灰色粉末喷涂	M32	M25	TYPE 8 类型 8
TI770243121-000	H24B HOUSING, CABLE-TO-CABLE, METAL SINGLE LOCKING, TOP ENTRY PG21, HIGH CONSTRUCTION, POWDER COATED, GRAY H24B下壳, 电缆对接, 彩锌单扣, 顶出PG21, 高结构, 灰色粉末喷涂	PG21	-	TYPE 9 类型 9
TI770243129-000	H24B HOUSING, CABLE-TO-CABLE, METAL SINGLE LOCKING, TOP ENTRY PG29, HIGH CONSTRUCTION, POWDER COATED, GRAY H24B下壳, 电缆对接, 彩锌单扣, 顶出PG29, 高结构, 灰色粉末喷涂	PG29	-	
TI770243132-000	H24B HOUSING, CABLE-TO-CABLE, METAL SINGLE LOCKING, TOP ENTRY M32, HIGH CONSTRUCTION, POWDER COATED, GRAY H24B下壳, 电缆对接, 彩锌单扣, 顶出M32, 高结构, 灰色粉末喷涂	M32	-	

THIS DRAWING IS A CONTROLLED DOCUMENT.		DWN DAVID LI 03JUL2015	STE TE Connectivity	
		CHK CHRIS WANG 03JUL2015		
DIMENSIONS: mm		APVD XU XIANG 03JUL2015	NAME H24B-TBFS/TBF-LB/TBF-PG/M	
TOLERANCES UNLESS OTHERWISE SPECIFIED:		PRODUCT SPEC 108-137013	RESTRICTED TO	
0 PLC ±-		APPLICATION SPEC 114-137013	SIZE A2	CAGE CODE -
1 PLC ±-		WEIGHT -	DRAWING NO. C-T17X024XXXX000	
2 PLC ±-		CUSTOMER DRAWING	SCALE 1:2	SHEET 3 OF 3
3 PLC ±-			REV B1	
4 PLC ±-				
ANGLES ±-				
FINISH -				
MATERIAL TBD				

单击下面可查看定价，库存，交付和生命周期等信息

[>>TE Connectivity\(泰科\)](#)