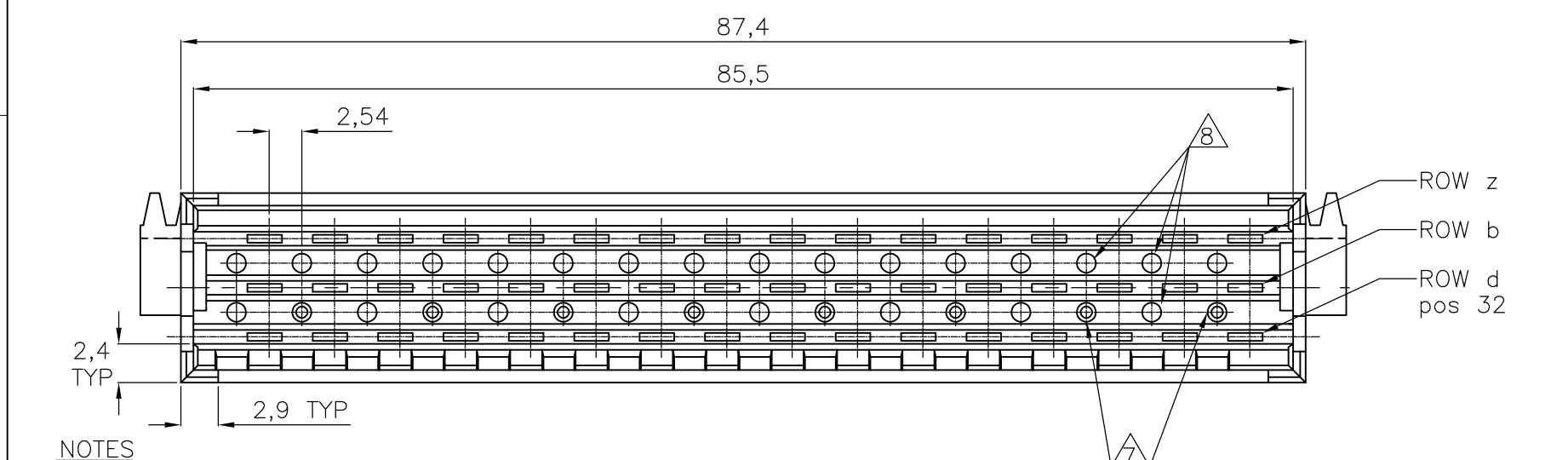
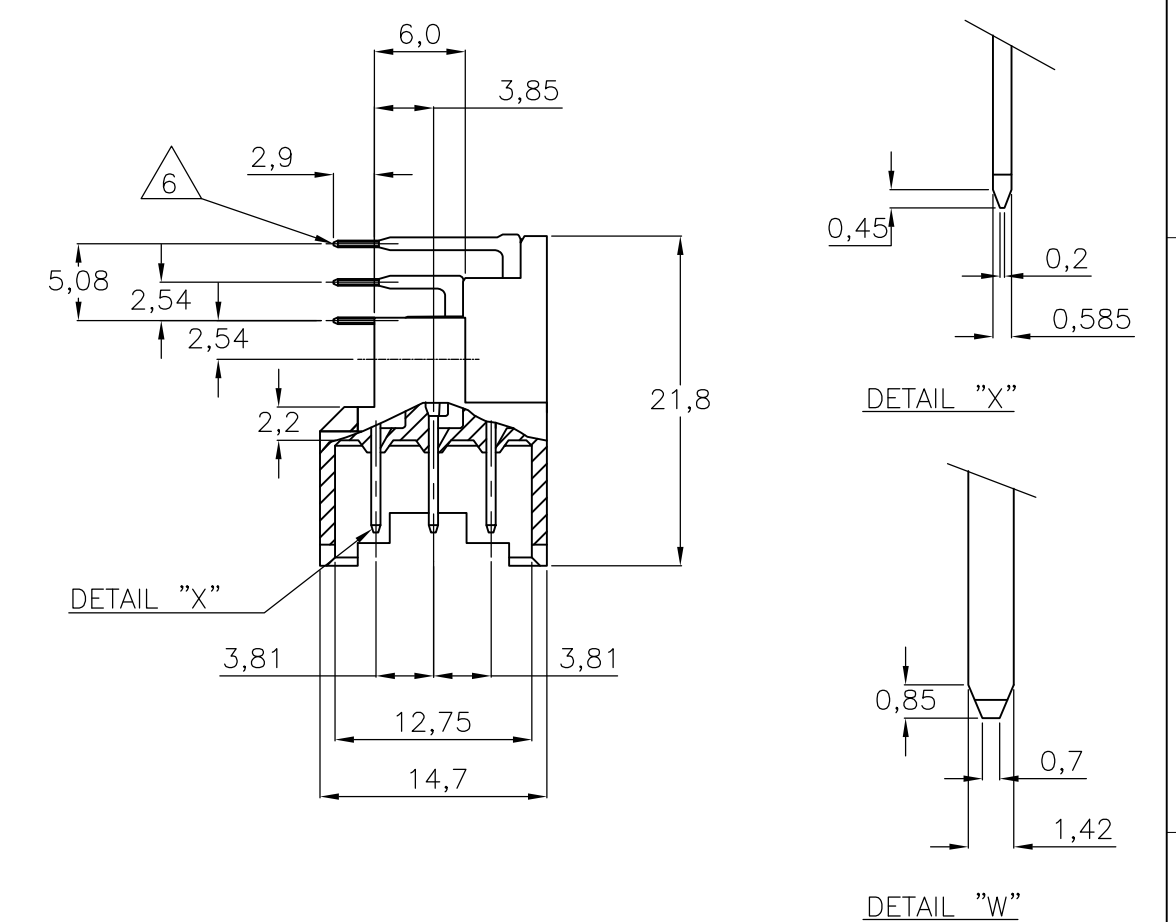
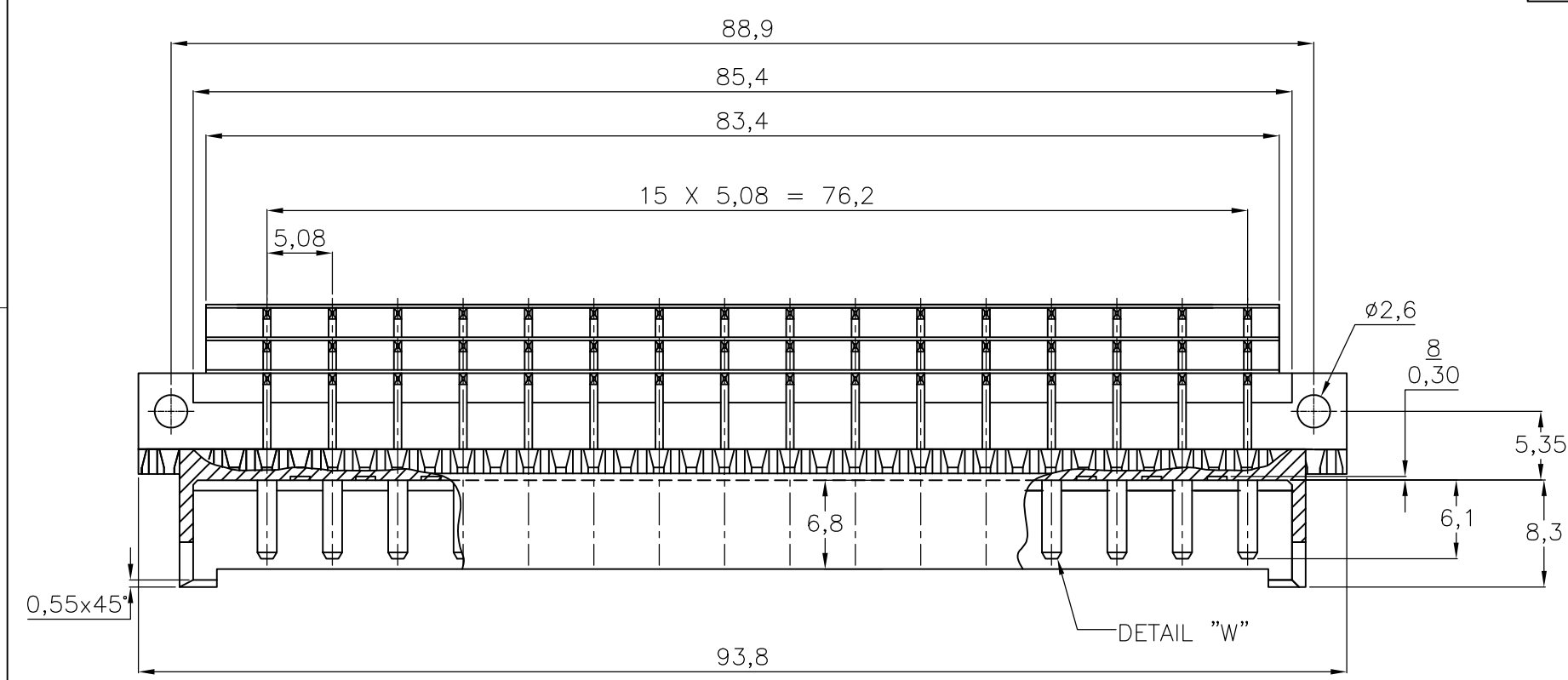


THIS DRAWING IS UNPUBLISHED. RELEASED FOR PUBLICATION
 © COPYRIGHT - By - ALL RIGHTS RESERVED.

LOC	DIST	REVISIONS			
P	LTR	DESCRIPTION	DATE	DWN	APVD
H	-				
	Y	REVISED PER ECO-15-005333	07JUL2015	AP	RP



POS. NO	2	4	6	8	10	12	14	16	18	20	22	24	26	28	30	32
F 48 ROW z	x	x	x	x	x	x	x	x	x	x	x	x	x	x	x	x
F 48 ROW b	x	x	x	x	x	x	x	x	x	x	x	x	x	x	x	x
F 48 ROW d	x	x	x	x	x	x	x	x	x	x	x	x	x	x	x	x

AN ASTERISK „X” DENOTES A STANDARD CONTACT.

NOTES

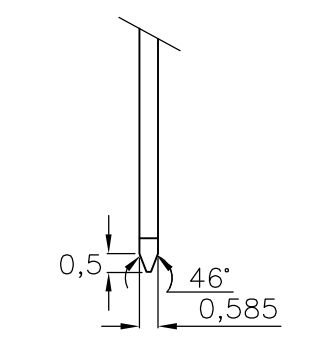
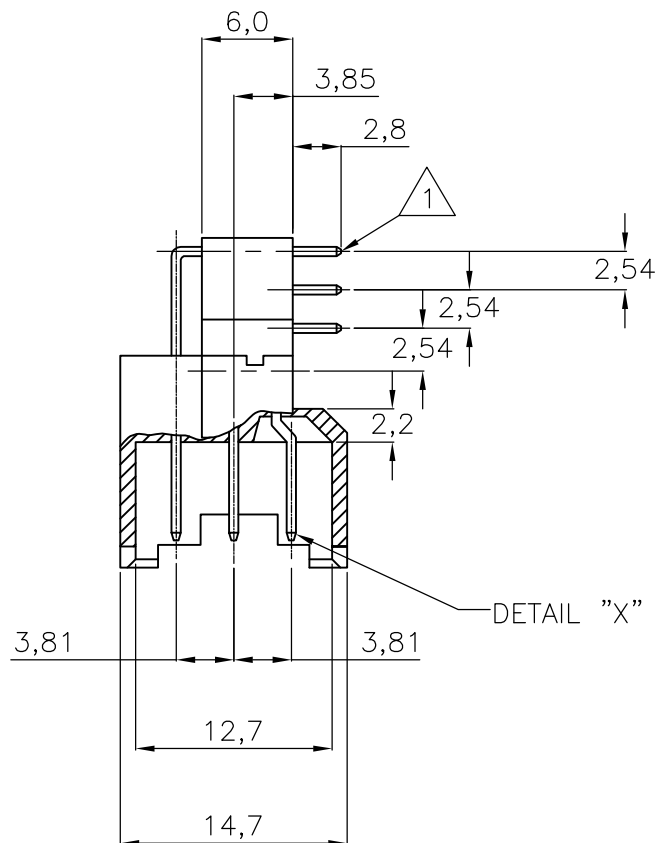
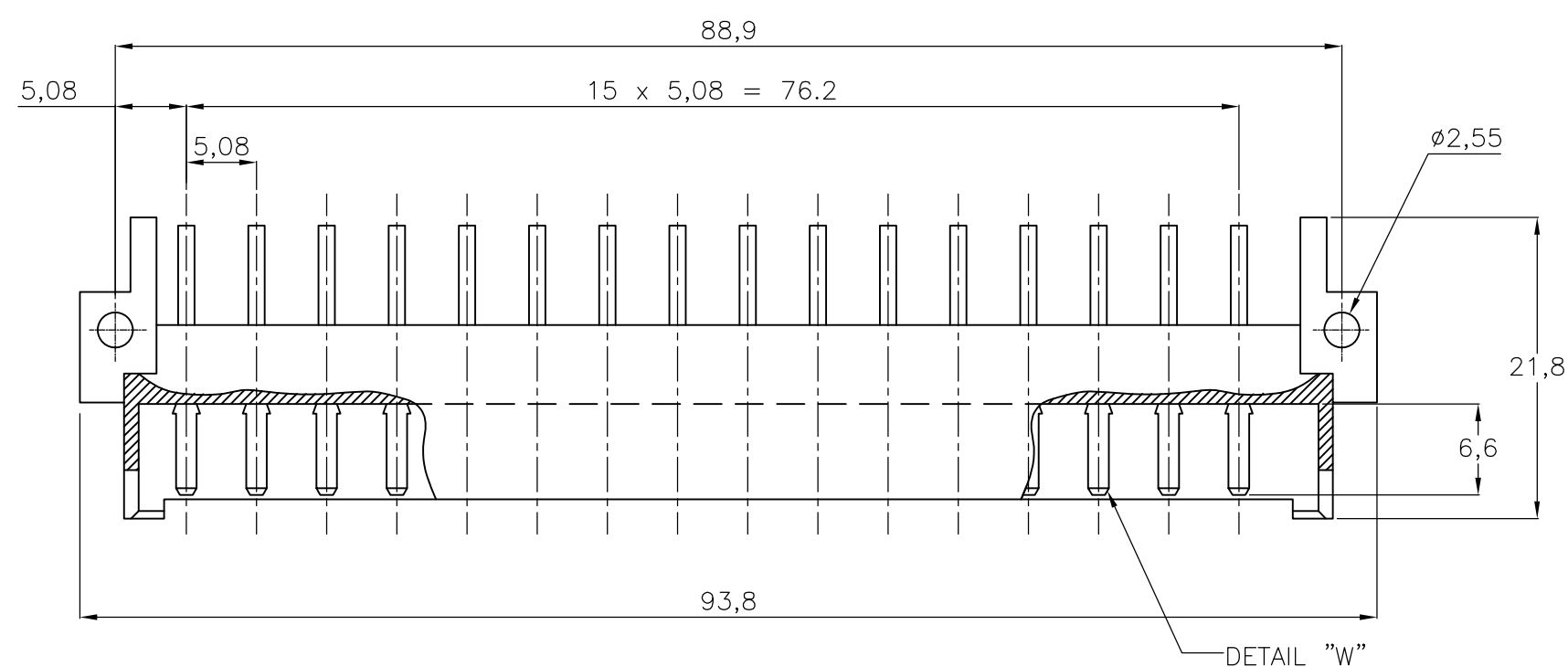
- 1 MATERIAL:
-HOUSING: THERMOPLASTIC POLYESTER, COLOR GREY.
-CONTACTS: BRASS.
- 2 PLATING CONTACT: EIC 60603-2 PERFORMANCE LEVEL I OVER NICKEL IN CONTACT AREA. TIN OVER 1.25µm Ni ON SOLDER POST.
- 3 PLATING CONTACT: EIC 60603-2 PERFORMANCE LEVEL II OVER NICKEL IN CONTACT AREA. TIN OVER 1.25µm Ni ON SOLDER POST.
- 4 PLATING CONTACT: 2,0 µm Au OVER 1,25 µm Ni IN CONTACT AREA. Sn over 1,25 µm Ni ON SOLDER POST.
- 5 PLATING CONTACT: EIC 60603-2 PERFORMANCE LEVEL III OVER NICKEL IN CONTACT AREA. TIN OVER 1.25µm Ni ON SOLDER POST.
- 6 SOLDER POSTS SUITABLE FOR P.C.B. HOLES 0,8+/-0,05 OR 1,0+/-0,1 DIA.
- 7 8 HOLES SUITABLE FOR KEYING PIN PN. 215916-1.
- 8 KEYING HOLES TO BE DRILLED BY CUSTOMER.

SEE NOTE 5	2-164045-8
2--7 OBSOLETE SEE NOTE 4	SEE NOTE 1
SEE NOTE 3	2-164045-7
SEE NOTE 2	2-164045-4
FINISH	2-164045-1
MATERIAL	PART NUMBER

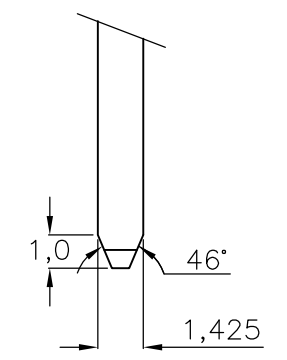
THIS DRAWING IS A CONTROLLED DOCUMENT.		DWN R.v.LOKVEN 27AUG91	STE TE Connectivity	
DIMENSIONS: mm		CHK J.GIBBELS		
TOLERANCES UNLESS OTHERWISE SPECIFIED:		APVD -	NAME	
0 PLC ± -		PRODUCT SPEC -	48 POS. DIN 41612 F MALE	
1 PLC ± -		APPLICATION SPEC -	90 DEG. SOLDER CONNECTOR	
2 PLC ± -		SIZE	CAGE CODE	DRAWING NO
3 PLC ± -		WEIGHT -	A300779	C-164045
4 PLC ± -		CUSTOMER DRAWING		
ANGLES ± -		SCALE	SHEET	REV
FINISH -		NTS	1 OF 2	Y

THIS DRAWING IS UNPUBLISHED. RELEASED FOR PUBLICATION
 © COPYRIGHT - By - ALL RIGHTS RESERVED.

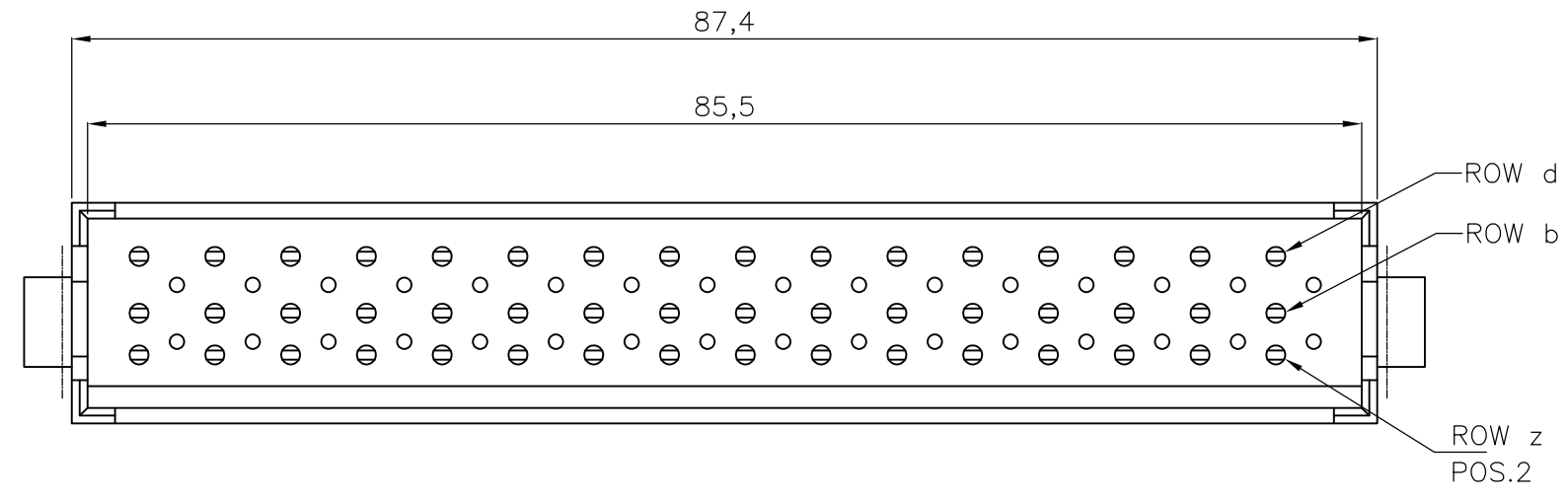
LOC	DIST	REVISIONS			
P	LTR	DESCRIPTION	DATE	DWN	APVD
H	-	SEE SHEET 1	-	-	-



DETAIL "X"



DETAIL "W"



- 9 PLATING CONTACT: 1,25 μm Au OVER 1,25 μm Ni IN CONTACT AREA.
Sn over 1,25 μm Ni ON SOLDER POST.
- 10 PLATING CONTACT: 0,8 μm Au OVER 1,25 μm Ni IN CONTACT AREA.
Sn over 1,25 μm Ni ON SOLDER POST.

SUPERSEDED BY 2-164045-4	SEE NOTE	10	SEE NOTE	1	9-164045-4
SUPERSEDED BY 2-164045-1	SEE NOTE	9	SEE NOTE	1	9-164045-1
FINISH		MATERIAL		PART NUMBER	

POS. NO	2	4	6	8	10	12	14	16	18	20	22	24	26	28	30	32
F 48 ROW	x	x	x	x	x	x	x	x	x	x	x	x	x	x	x	x
	x	x	x	x	x	x	x	x	x	x	x	x	x	x	x	x
	x	x	x	x	x	x	x	x	x	x	x	x	x	x	x	x

AN ASTERISK „X” DENOTES A STANDARD CONTACT.

THIS DRAWING IS A CONTROLLED DOCUMENT.

DIMENSIONS: mm	TOLERANCES UNLESS OTHERWISE SPECIFIED:	DWN J.GIBBELS 04AUG97	STE TE Connectivity			
	0 PLC ± - 1 PLC ± - 2 PLC ± - 3 PLC ± - 4 PLC ± - ANGLES ± -	CHK J.GIBBELS				
MATERIAL	FINISH	APVD -	NAME			
		PRODUCT SPEC -	48 POS. DIN 41612 F MALE 90 DEG. SOLDER CONNECTOR			
		APPLICATION SPEC -	SIZE	CAGE CODE	DRAWING NO	RESTRICTED TO
		WEIGHT -	A3	00779	C-164045	-
CUSTOMER DRAWING			SCALE	SHEET	REV	
			NTS	2 OF 2	Y	

单击下面可查看定价，库存，交付和生命周期等信息

[>>TE Connectivity\(泰科\)](#)