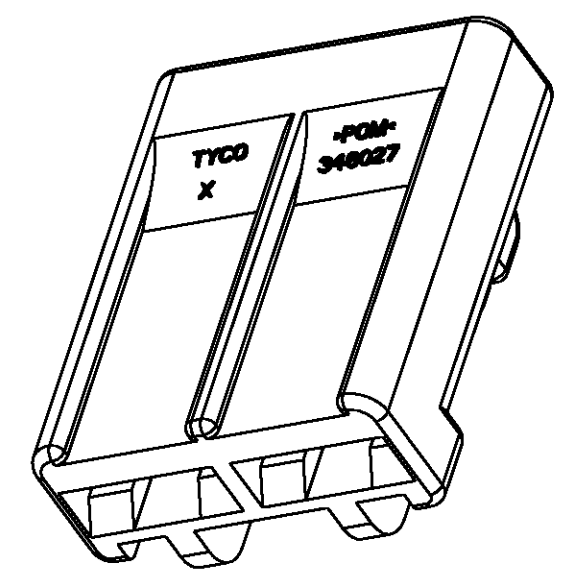
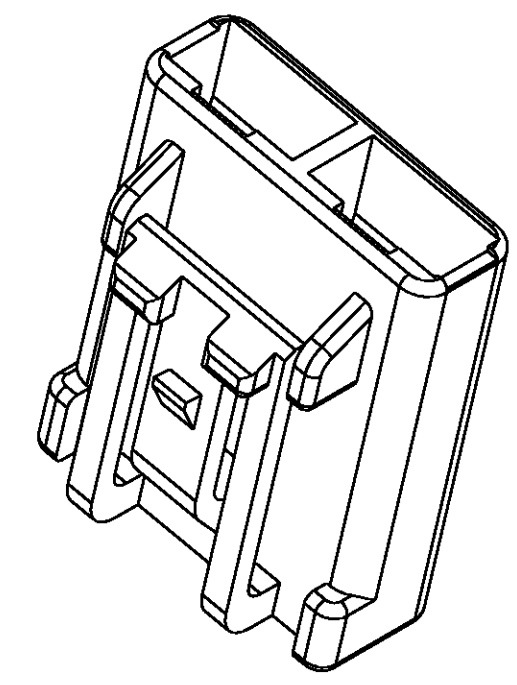
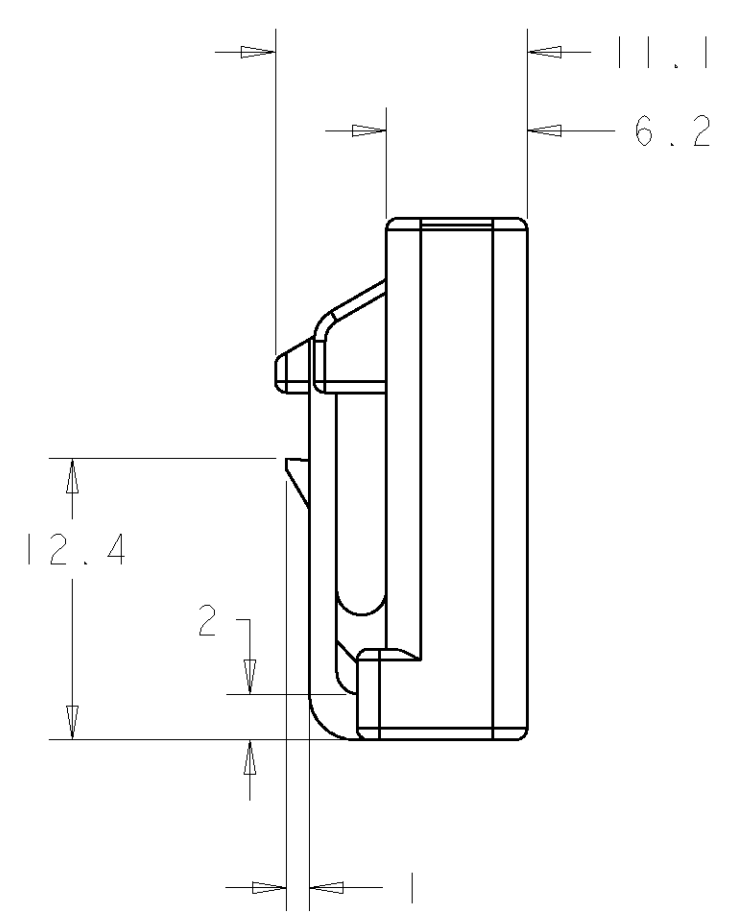
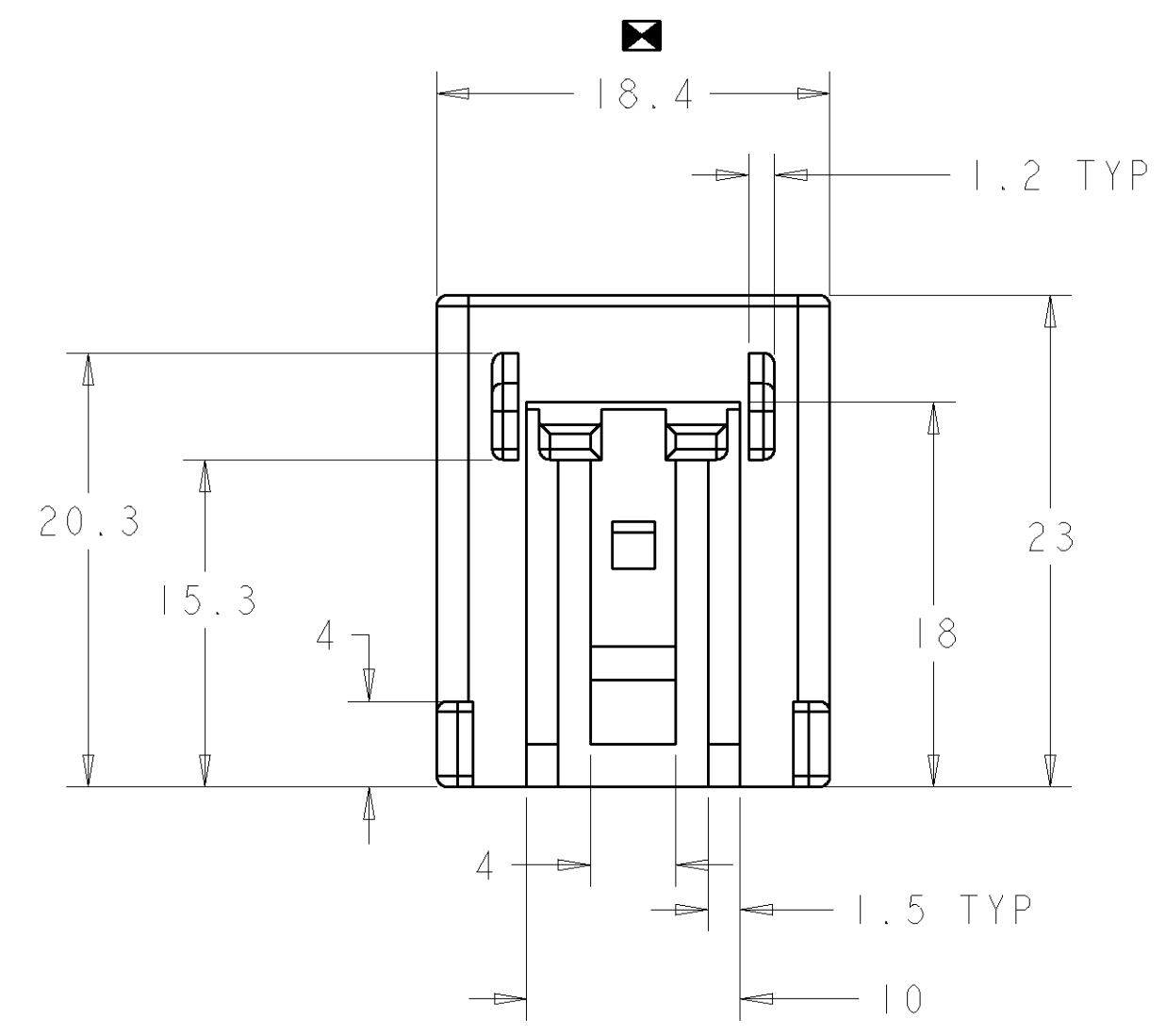
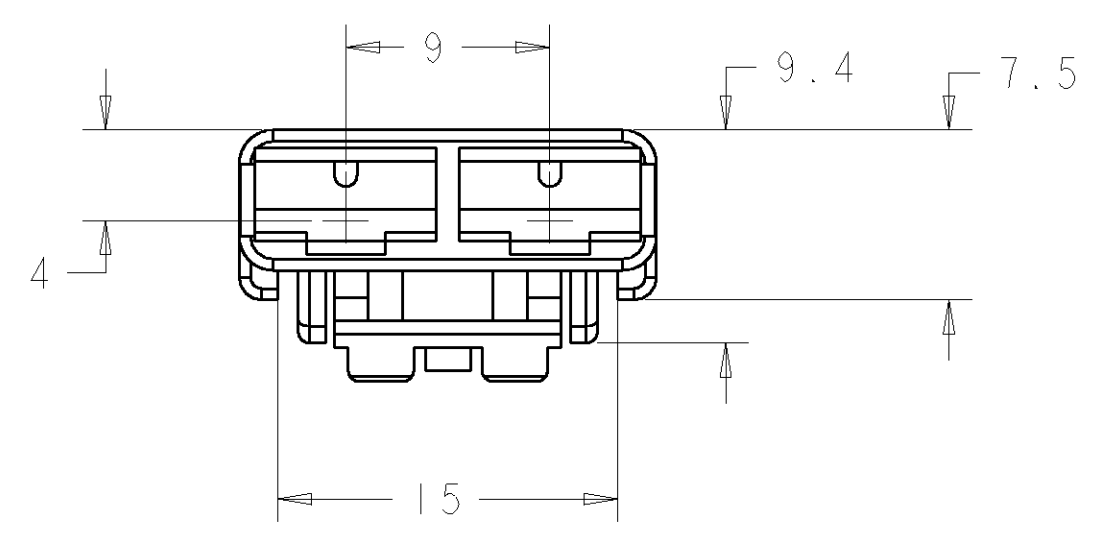


THIS DRAWING IS UNPUBLISHED. RELEASED FOR PUBLICATION 20
 © COPYRIGHT BY ALL RIGHTS RESERVED.

LOC		DIST		REVISIONS			
P	LTR	DESCRIPTION	DATE	DWN	APVD		
E	B	E1	REVISD PER ECO-11-005150	27APR11	RK	HMR	



NOTES:

1. THIS HOUSING ACCOMODATES TWO FASTIN-FASTON RECEPTACLES **TE CONNECTIVITY** PART NO 42100. FORD PART NO SL 100.65
2. THIS HOUSING MATES WITH FUEL PUMP IN-MOULDED TAB HEADER ASSEMBLY - FORD PART NO FIDU-9350-AA
3. DENOTES CONTROL DIMENSION FOR SPC PURPOSES

YELLOW	HOSTAFORM C13031 XF	346027-2
BLACK	HOSTAFORM C9021	346027-1
COLOUR	MATERIAL	PART NO

DIMENSIONS: mm	TOLERANCES UNLESS OTHERWISE SPECIFIED: 0 PLC ± 1 PLC ±0.5 2 PLC ±0.5 3 PLC ±0.5 4 PLC ± ANGLES ±2 FINISH	DWN M. GREENER 06AUG2004	
		CHK M. HARRIS 06AUG2004	
	SEE TABLE	APVD B. BAKER 06AUG2004	NAME 2 WAY RECEPTACLE HOUSING FASTIN FASTON
		PRODUCT SPEC	SIZE CAGE CODE DRAWING NO A2 00779 C-346027
MATERIAL		WEIGHT	RESTRICTED TO
CUSTOMER DRAWING		SCALE 3:1	SHEET OF REV E1

单击下面可查看定价，库存，交付和生命周期等信息

[>>TE Connectivity\(泰科\)](#)