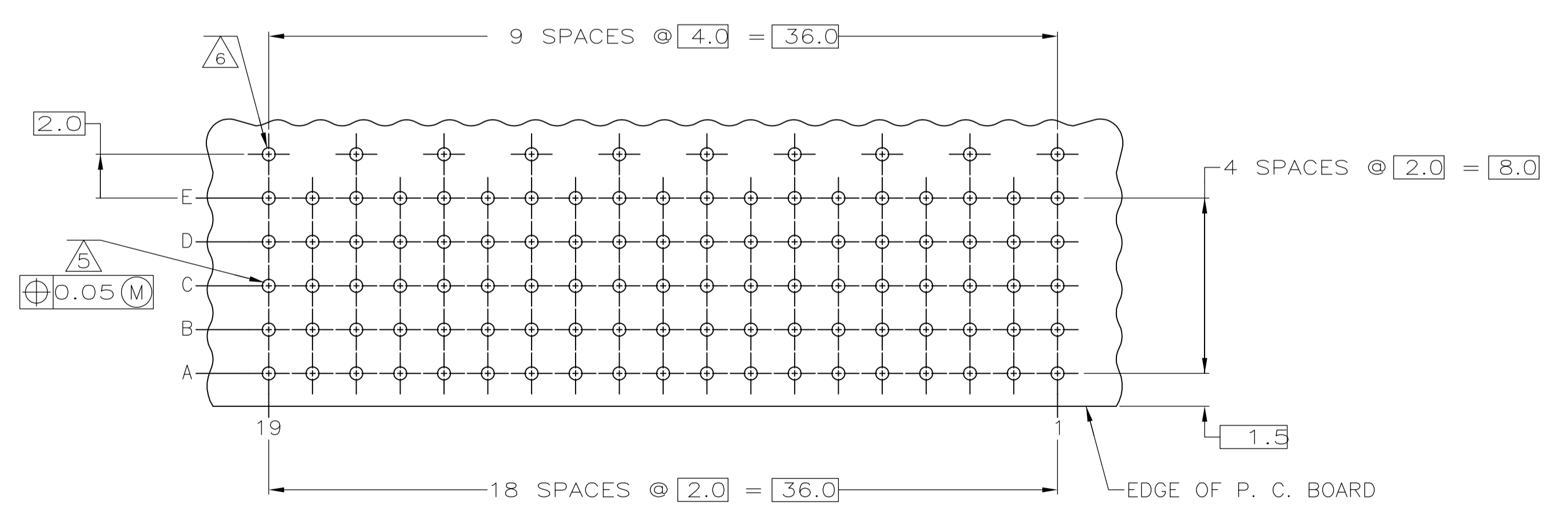
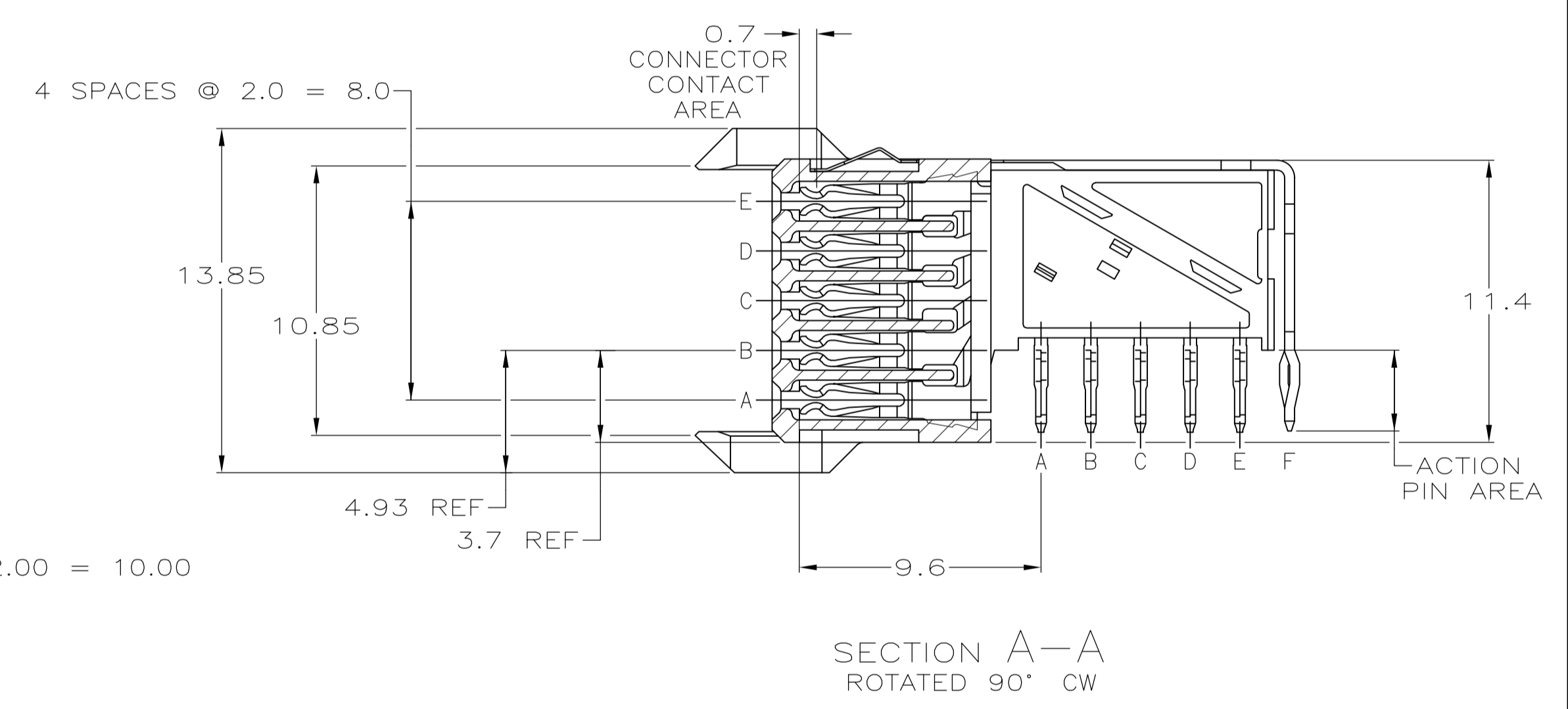
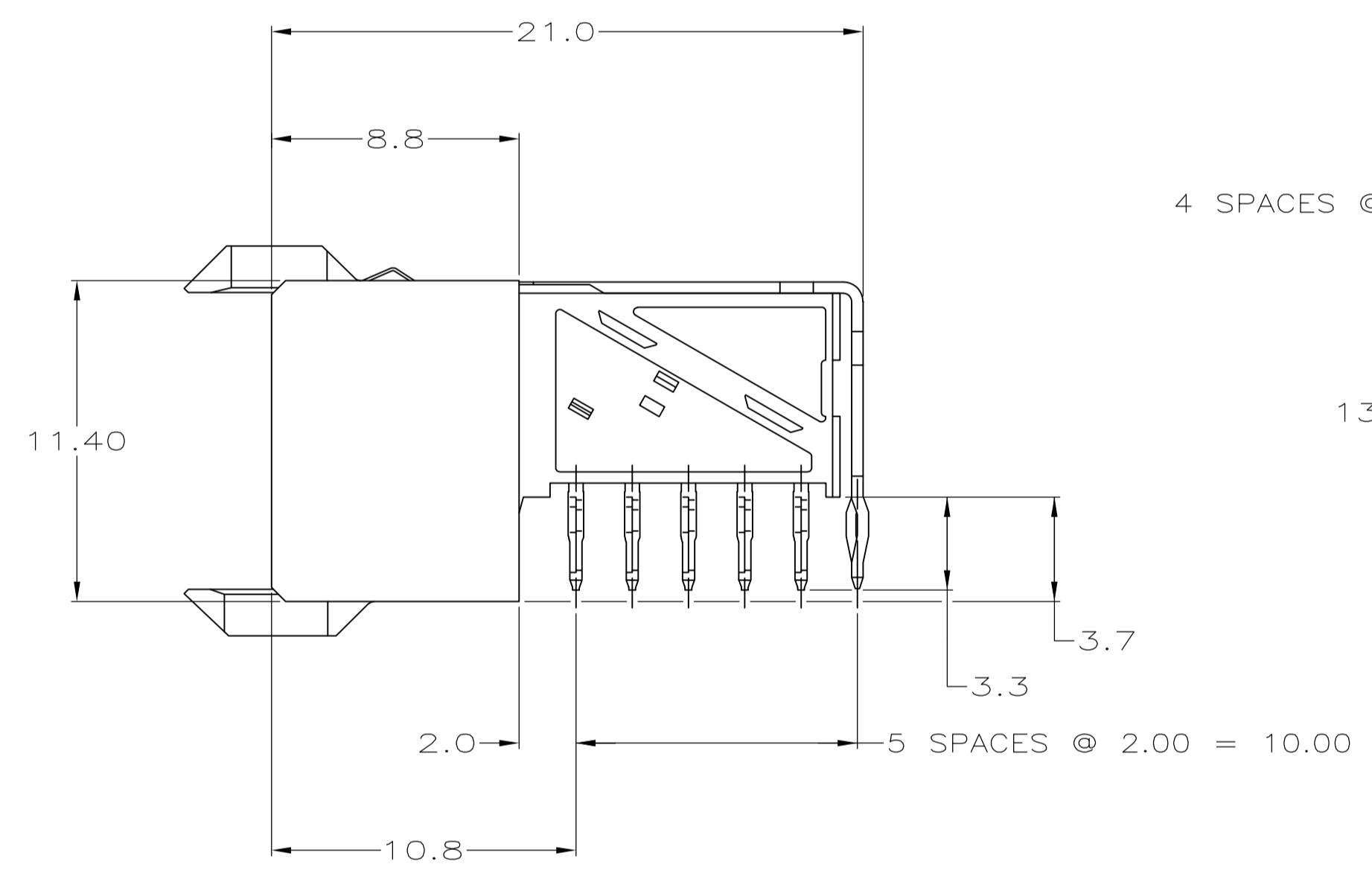
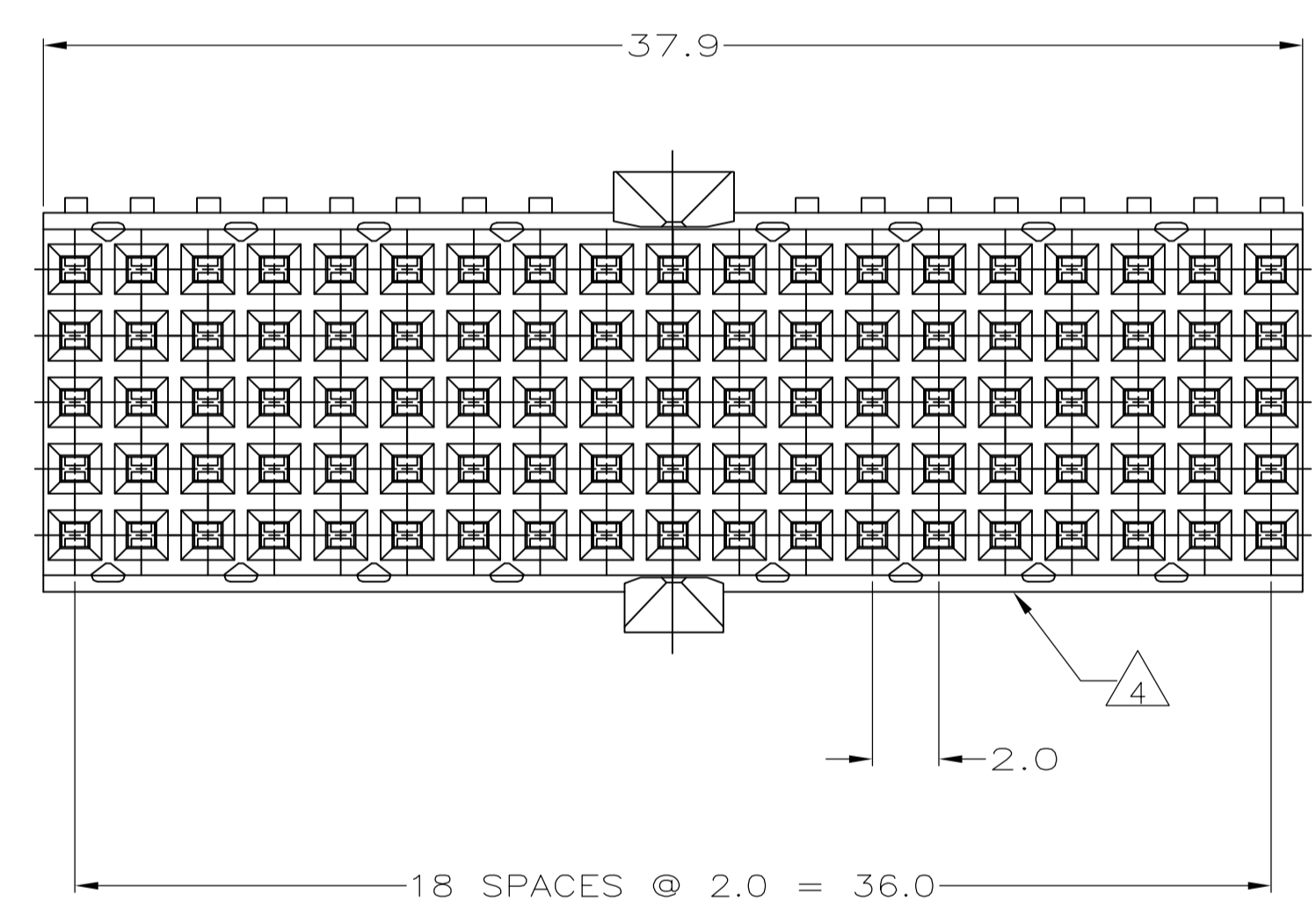
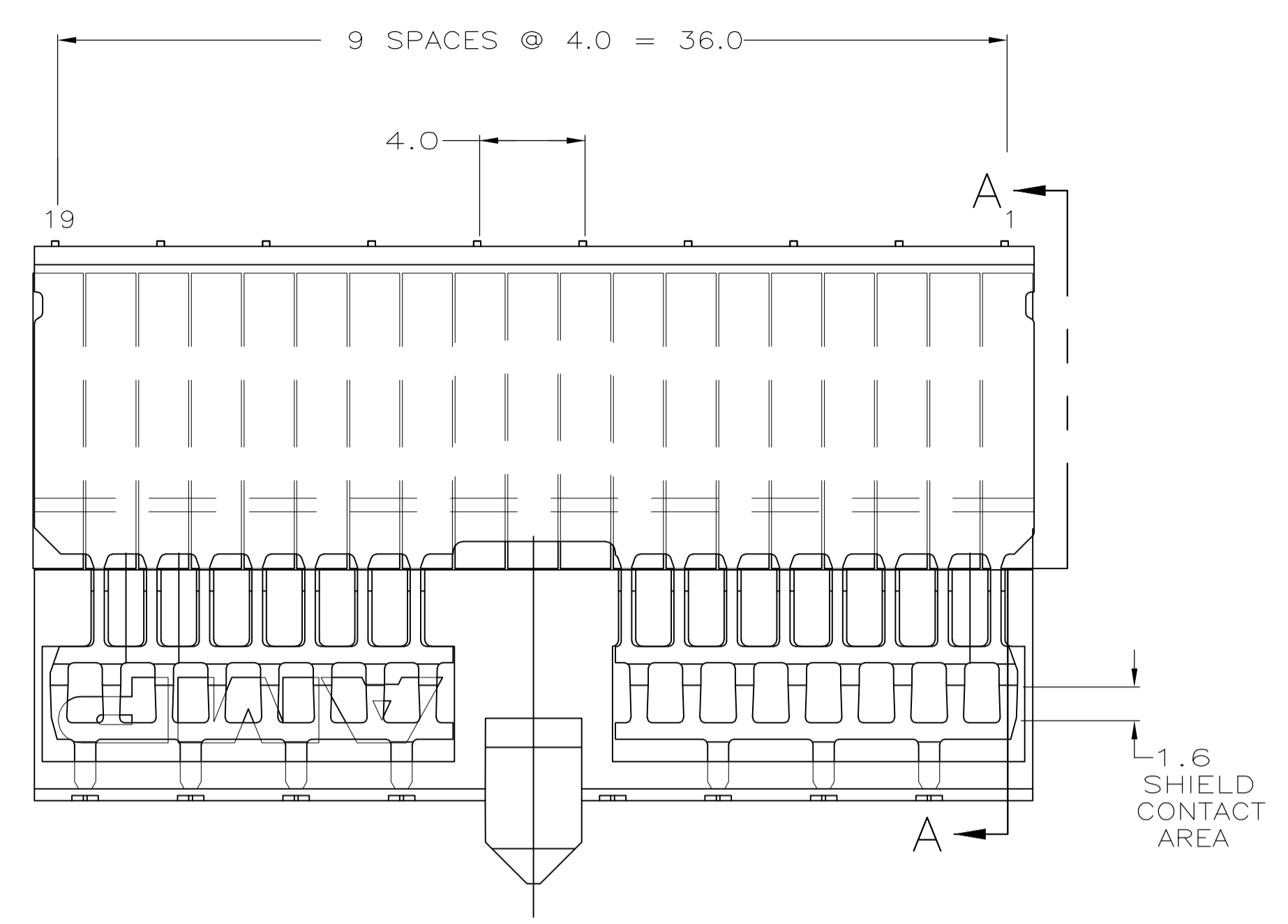


LOC		DIST		REVISIONS			
P	LTR	DESCRIPTION	DATE	DMN	APVD		
A		INITIAL RELEASE	18NOV2010	RC	CW		



**RECOMMENDED PCB-HOLE LAYOUT**  
**COMPONENT SIDE SHOWN**

SCALE 2.5:1

**PLATED THRU HOLES PARAMETERS**

REFERENCE APPLICATION SPECIFICATION

- 1 MATERIAL:  
 CONTACT: PHOSPHOR BRONZE.  
 HOUSING: GLASS-FILLED POLYESTER.
- 2 GENERAL PLATING SPECIFICATION: UNDERPLATING  
 (ENTIRE CONTACT): 1.27μm MIN NICKEL AND ACTION  
 PIN: 0.5μm MIN TIN/LEAD.  
 1.27μm MIN GOLD PLATING AT MATING SURFACES
- 3 CONFORMS TO ALL TESTING ACCORDING TO IEC 61076-4-101  
 PERFORMANCE LEVEL 1.
- 4 CONNECTOR MARKED WITH PART NUMBER AND DATE CODE.  
 ADDITIONAL CHARACTERS OR MARKINGS, AS WELL AS THE LOCATION OF THE MARKINGS,  
 MAY BE ADDED FOR TRACEABILITY BASED UPON MANUFACTURERS DISCRETION.
- 5 PLATED-THROUGH HOLES AT 2x2mm SQUARE GRID  
 PATTERN DEFINED BY CONTACT LAYOUT.
- 6 10 PLATED THROUGH HOLES FOR UPPER SHIELD, ROW F.
- 7 SHIELD MOUNTED TO CONNECTOR WITH DOUBLE SIDED ADHESIVE TAPE OR ADHESIVE.

2 3	1645591-1
FINISH	PART NUMBER

THIS DRAWING IS A CONTROLLED DOCUMENT.		DIN RAYMOND CAO 11/18/2010		Tyco Electronics Corporation	
DIMENSIONS: mm		CHK SANDERS YAN 11/18/2010		Shanghai P.R.China	
TOLERANCES UNLESS OTHERWISE SPECIFIED:		APVD MANQIAN WANG 11/18/2010		NAME	
0-PLC ±		PRODUCT SPEC		RECEPTACLE ASSEMBLY, Z-PACK 2mm HM, TYPE A/B, PRE-SHIELDED, 95 POSITION	
1-PLC ±0.2		APPLICATION SPEC		SIZE	
2-PLC ±0.02		108-19082		CAGE CODE	
3-PLC ±		114-19029		DRAWING NO	
4-PLC ±		WEIGHT		RESTRICTED TO	
ANGLES		A1 00779		1645591	
MATERIAL		CUSTOMER DRAWING		SCALE 5:1	
FINISH SEE TABLE		SHEET 1 OF 1		REV A	

单击下面可查看定价，库存，交付和生命周期等信息

[>>TE Connectivity\(泰科\)](#)