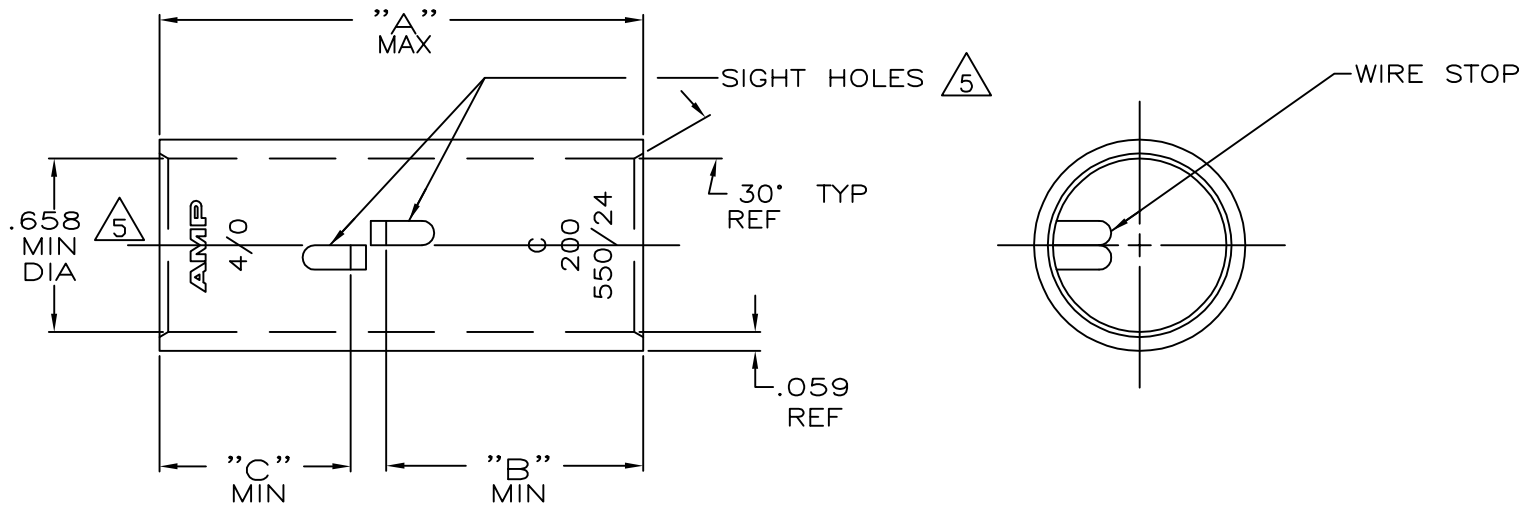


THIS DRAWING IS UNPUBLISHED. RELEASED FOR PUBLICATION  
 © COPYRIGHT - By - ALL RIGHTS RESERVED.

|     |      |           |     |               |           |     |      |
|-----|------|-----------|-----|---------------|-----------|-----|------|
| LOC | DIST | REVISIONS |     |               |           |     |      |
| G   | 86   | P         | LTR | DESCRIPTION   | DATE      | DWN | APVD |
|     |      | R         |     | ECR-13-000998 | 09FEB2013 | PK  | HS   |



1 TIN PL .000150 MIN THK PER ASTM B 545

2 PART NO: 324461; .071 LB.  
 PART NO: 1-324461-0; .071 LB.  
 PART NO: 2-324461-2; .082 LB.  
 PART NO: 2-324461-3; .082 LB.

3 CLEANED, UNPLATED

4 PRELIMINARY - NOT FOR PRODUCTION

5 .045 MAX BURR ALLOWED INSIDE THE WIRE BARREL ID IN AREA OF SIGHT HOLE.

|     |     |      |            |        |           |            |
|-----|-----|------|------------|--------|-----------|------------|
| .72 | .97 | 1.89 | 190,000-   | 3      | COPPER    | 2-324461-3 |
|     |     |      | 231,000    |        |           | 2-324461-2 |
| .72 | .72 | 1.65 | CM         | 3      | ASTM-B-75 | 1-324461-0 |
|     |     |      |            | 4      | ANNEALED  | 324461     |
| "C" | "B" | "A"  | WIRE RANGE | FINISH | MATERIAL  | PART No    |

|  |  |  |           |                              |                           |  |
|--|--|--|-----------|------------------------------|---------------------------|--|
| THIS DRAWING IS A CONTROLLED DOCUMENT. |  | DWN                                    | DK SCHRUM | 4/24/89                      | <b>TE</b> TE Connectivity |  |
|  |  | CHK                                    | MS FEHER  | 4/24/89                      |                           |  |
| DIMENSIONS: INCHES                     |  | TOLERANCES UNLESS OTHERWISE SPECIFIED: |           | NAME                         |                           |  |
|  |  | 0 PLC ± -                              |           | WJ VOCKROTH                  |                           |  |
|  |  | 1 PLC ± -                              |           | PRODUCT SPEC                 |                           |  |
|  |  | 2 PLC ± -                              |           | APPLICATION SPEC             |                           |  |
|  |  | 3 PLC ± -                              |           | SIZE                         |                           |  |
|  |  | 4 PLC ± -                              |           | CAGE CODE                    |                           |  |
|  |  | ANGLES ± -                             |           | DRAWING NO                   |                           |  |
| MATERIAL SEE TABLE                     |  | FINISH SEE TABLE                       |           | RESTRICTED TO                |                           |  |
|  |  |  |           | A3 00779 C=324461            |                           |  |
|  |  |  |           | CUSTOMER DRAWING             |                           |  |
|  |  |  |           | SCALE 2:1 SHEET 1 OF 1 REV R |                           |  |

单击下面可查看定价，库存，交付和生命周期等信息

[>>TE Connectivity\(泰科\)](#)