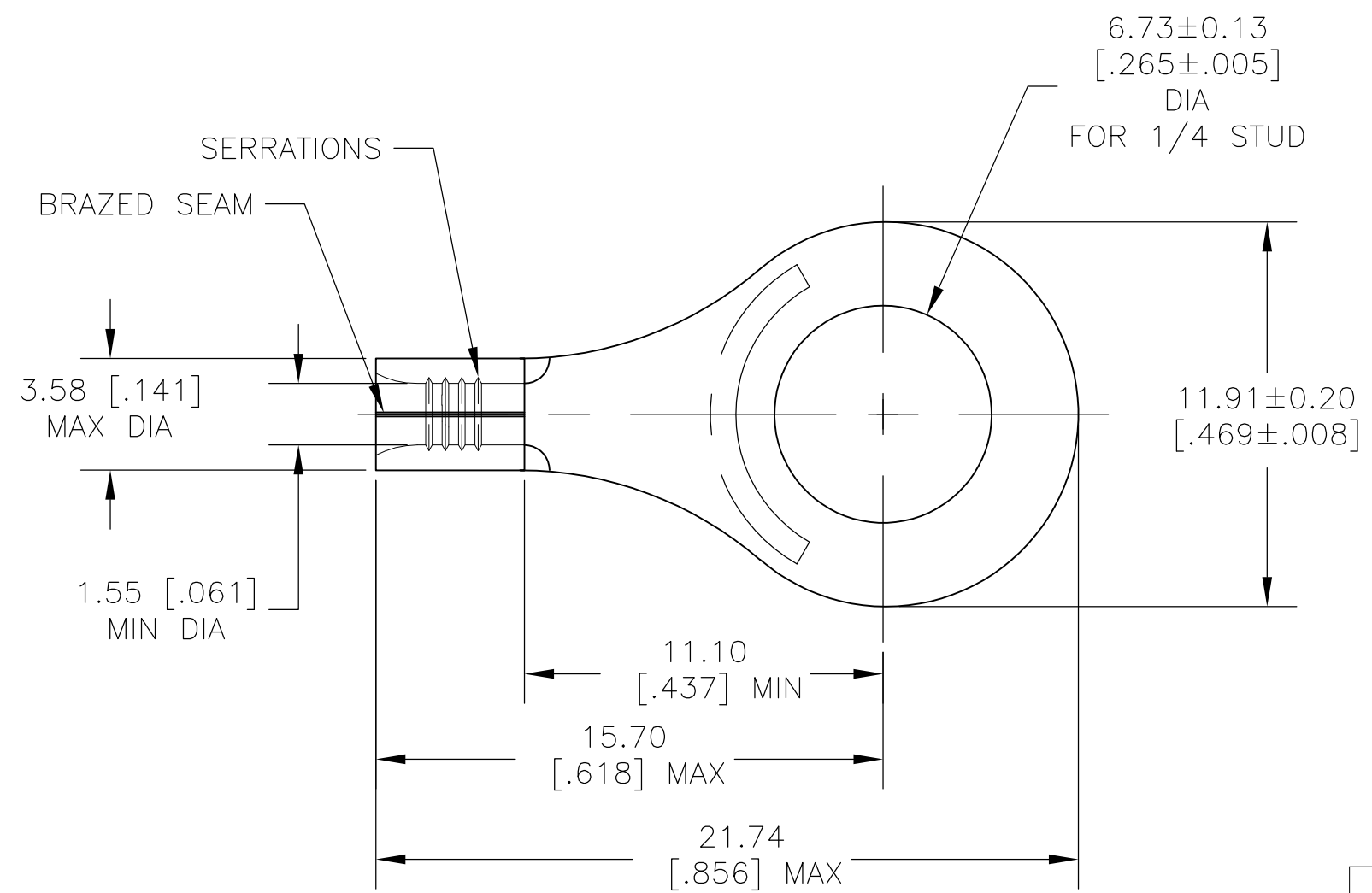


THIS DRAWING IS UNPUBLISHED. RELEASED FOR PUBLICATION
 © COPYRIGHT - BY TYCO ELECTRONICS CORPORATION. ALL RIGHTS RESERVED.

LOC	DIST	REVISIONS					
G	86	P	LTR	DESCRIPTION	DATE	DWN	APVD
		A		REL PER ECR 07-018104	07AUG07	JR	MS



- 1 WIRE RANGE: 22-16 AWG STANDARD. WIRE CROSS SECTIONAL AREA RANGE: 509-3,260 CIRCULAR MILS, STRANDED
- 2 THE TONGUE THK IS 0.79±0.05 [.031±.002]
- 3 RECOMMENDED OPERATING TEMP -55°C TO +200°C FOR HEAT SHRINK TUBING

1	1200626-8	HIGH AND LOW TEMPERTURE CROSS LINKED FLOUROPOLYMER HEAT SHRINK TUBING 4.78 [.188] MIN ID X 19.05 [.750], RT-555
1	696949-1	TERMINAL BODY: COPPER PER ASTM B-152 ANNEALED FINISH: NICKEL PLATE 0.00762 [.000300] MIN THK PER SAE AMS QQ-N-290
-1	PART NO	DESCRIPTION

THIS DRAWING IS A CONTROLLED DOCUMENT.		DWN JR RUTH 27JUL07	Tyco Electronics Corporation Harrisburg, Pa 17105-3608	
DIMENSIONS: MM [INCHES]		CHK MJ SPICER 27JUL07	NAME HEAT RESISTANT TERMINAL KIT	
TOLERANCES UNLESS OTHERWISE SPECIFIED:		APVD MJ SPICER 27JUL07	PRODUCT SPEC -	
0 PLC ± -		APPLICATION SPEC -		
1 PLC ± -		SIZE A3		
2 PLC ± -		CAGE CODE 00779		
3 PLC ± -		DRAWING NO C-1958124		
4 PLC ± -		RESTRICTED TO -		
ANGLES ± 1°		SCALE 1:1		
MATERIAL -		SHEET 1 OF 1		
FINISH -		REV A		
CUSTOMER DRAWING				

单击下面可查看定价，库存，交付和生命周期等信息

[>>TE Connectivity\(泰科\)](#)