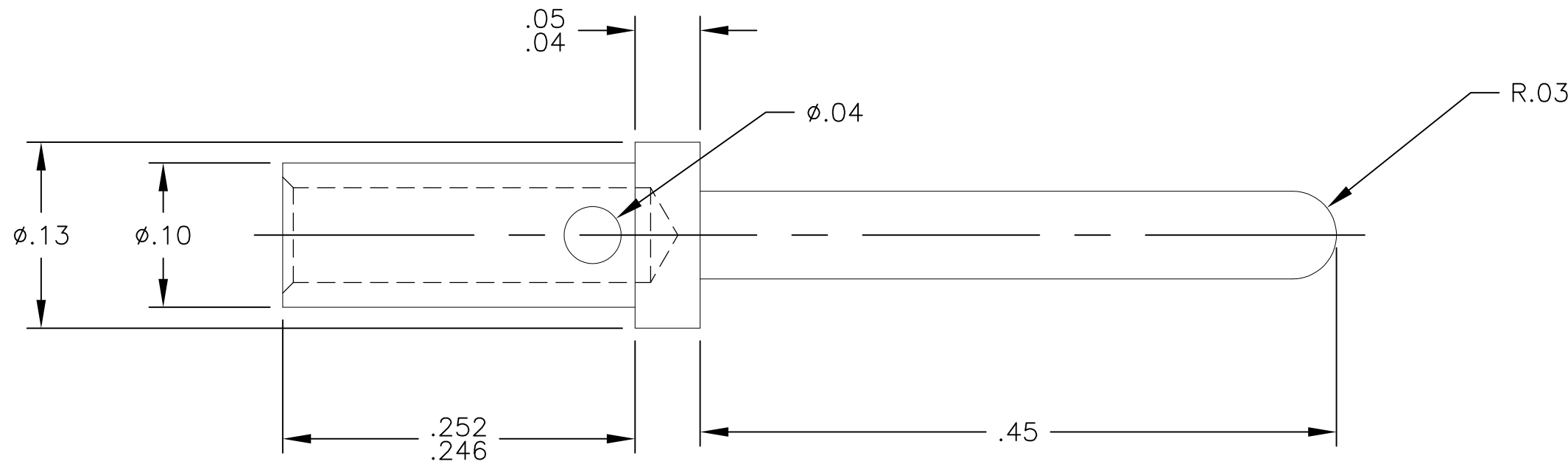


THIS DRAWING IS UNPUBLISHED. RELEASED FOR PUBLICATION
 © COPYRIGHT BY TYCO ELECTRONICS CORPORATION. ALL INTERNATIONAL RIGHTS RESERVED.

LOC	DIST	REVISIONS					
GP	00	P	LTR	DESCRIPTION	DATE	DWN	APVD
		B		REV PER ECO-08-014780	24JUN08	RG	DO



5. FOR TERMINATION, USE FOLLOWING EQUIPMENT:
 SHOWN FOR REFERENCE ONLY (USER SUPPLIED)
 CRIMP TOOL: M22520/1-01
 TURRET HEAD/LOCATOR: M22520/1-02
4. FINISH: SILVER PLATED, .000200 MIN THICK
 OVER NICKEL PLATED, .000050 MIN THICK
3. MATERIAL: COPPER ALLOY.
2. ITEMS PROVIDED TO THIS SPECIFICATION SHALL BE IDENTIFIED
 ON THE CONTAINER WITH THE FOLLOWING INFORMATION:
 PART NUMBER & DATE CODE OF MANUFACTURE.
1. PART NUMBER CHANGES AND OR DESIGN CHANGES AFFECTING ITEM
 INTERCHANGEABILITY REQUIRE PRIOR TYCO ELECTRONICS APPROVAL
 AND AUTHORIZATION BY REVISION TO THIS DRAWING.

AS SHOWN	1766194-1
DESCRIPTION	PART NUMBER

THIS DRAWING IS A CONTROLLED DOCUMENT.		DWN	12/02/05	Tyco Electronics Corporation	
DIMENSIONS: INCHES		CHK	-	Harrisburg, PA 17105-3608	
TOLERANCES UNLESS OTHERWISE SPECIFIED:		D. ORRIS	12/02/05	NAME	
0 PLC ± -		APVD	12/02/05	CONTACT, PIN, SIZE No.16	
1 PLC ± -		CHAU/GRZYBOWSKI		CRIMP, REMOVABLE	
2 PLC ± .02		PRODUCT SPEC		DRAWERS/DOMINO	
3 PLC ± .010		APPLICATION SPEC		SIZE	CAGE CODE
4 PLC ± -		WEIGHT	-	A3	00779
ANGLES ± .5		DRAWING NO		C-1766194	
MATERIAL	FINISH	RESTRICTED TO			
-	-				
CUSTOMER DRAWING			SCALE	10:1	SHEET
					1 OF 1
					REV B

单击下面可查看定价，库存，交付和生命周期等信息

[>>TE Connectivity\(泰科\)](#)