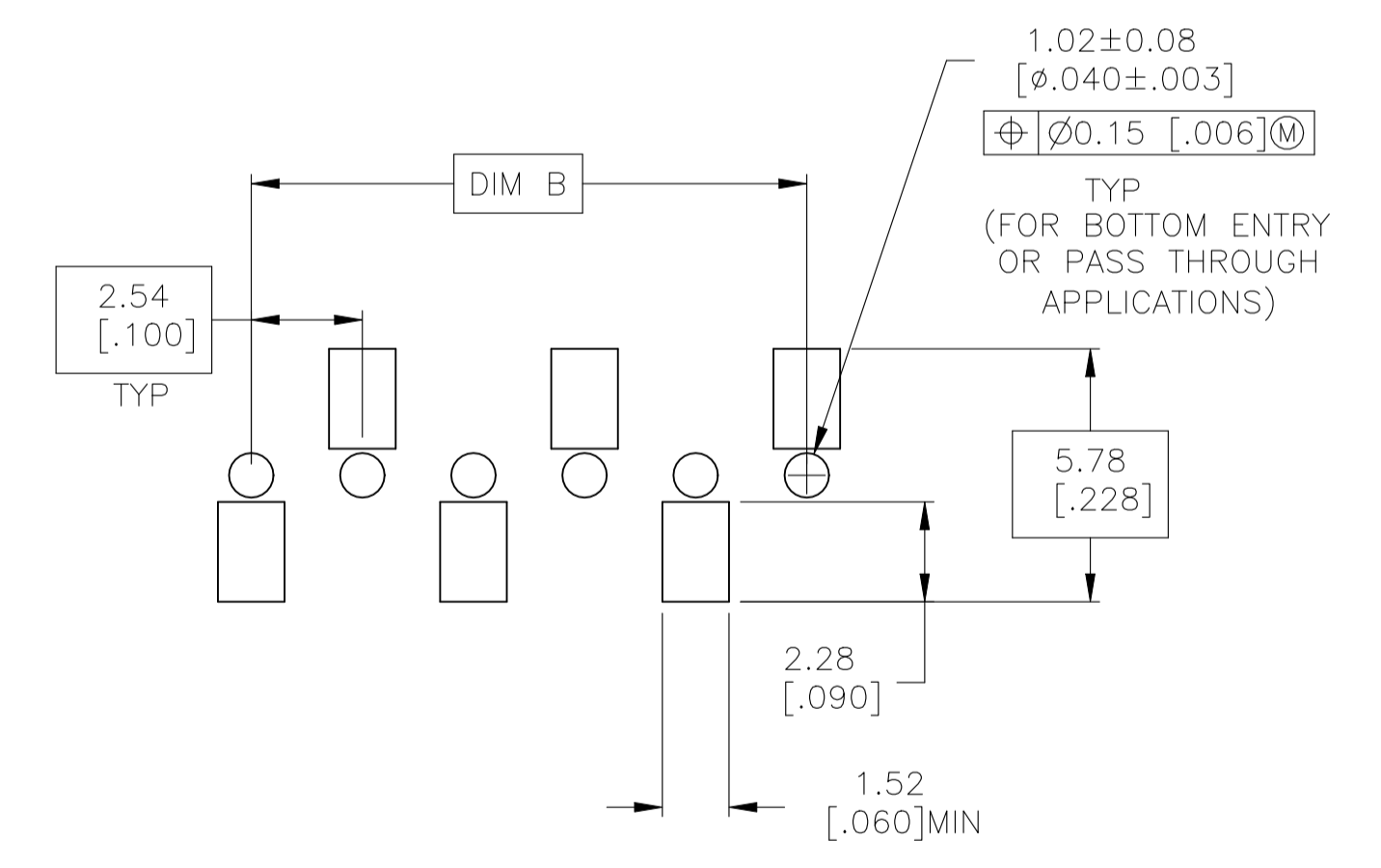
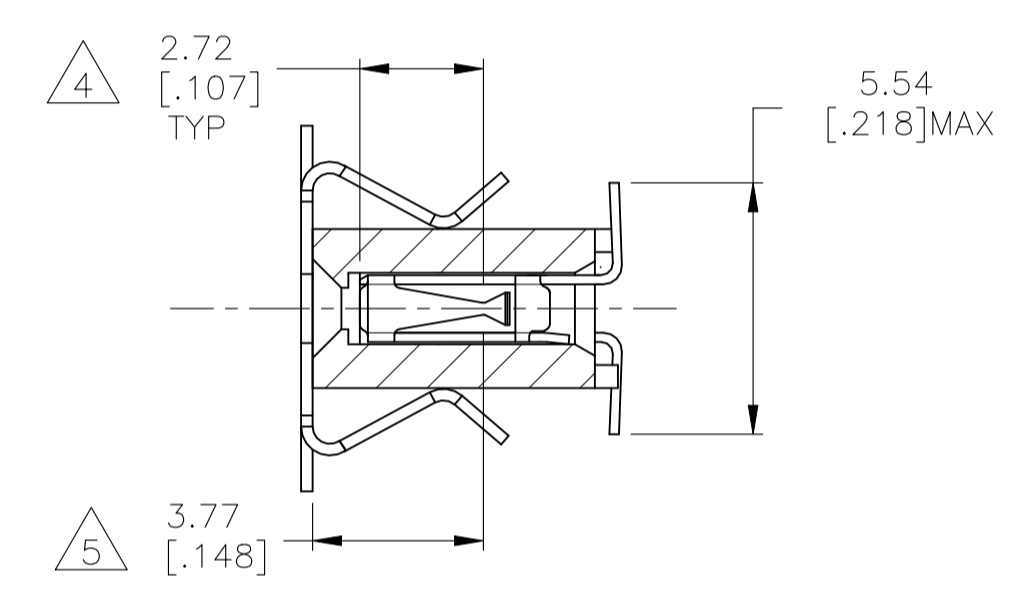
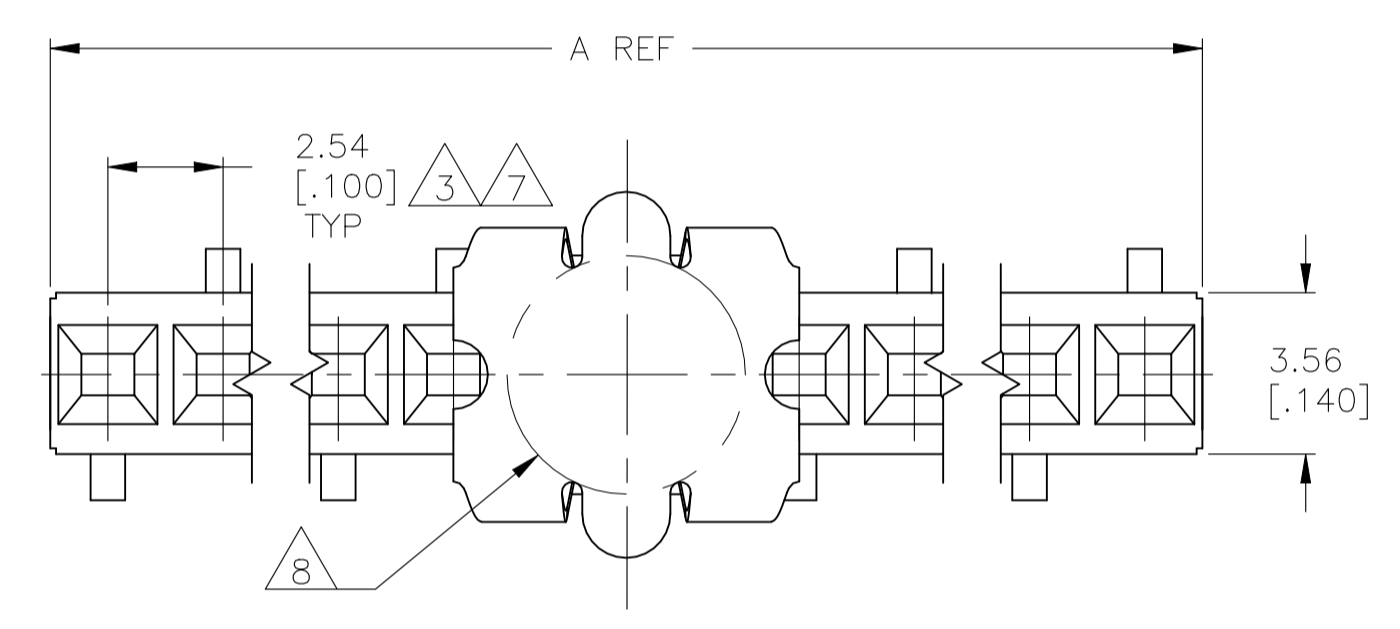
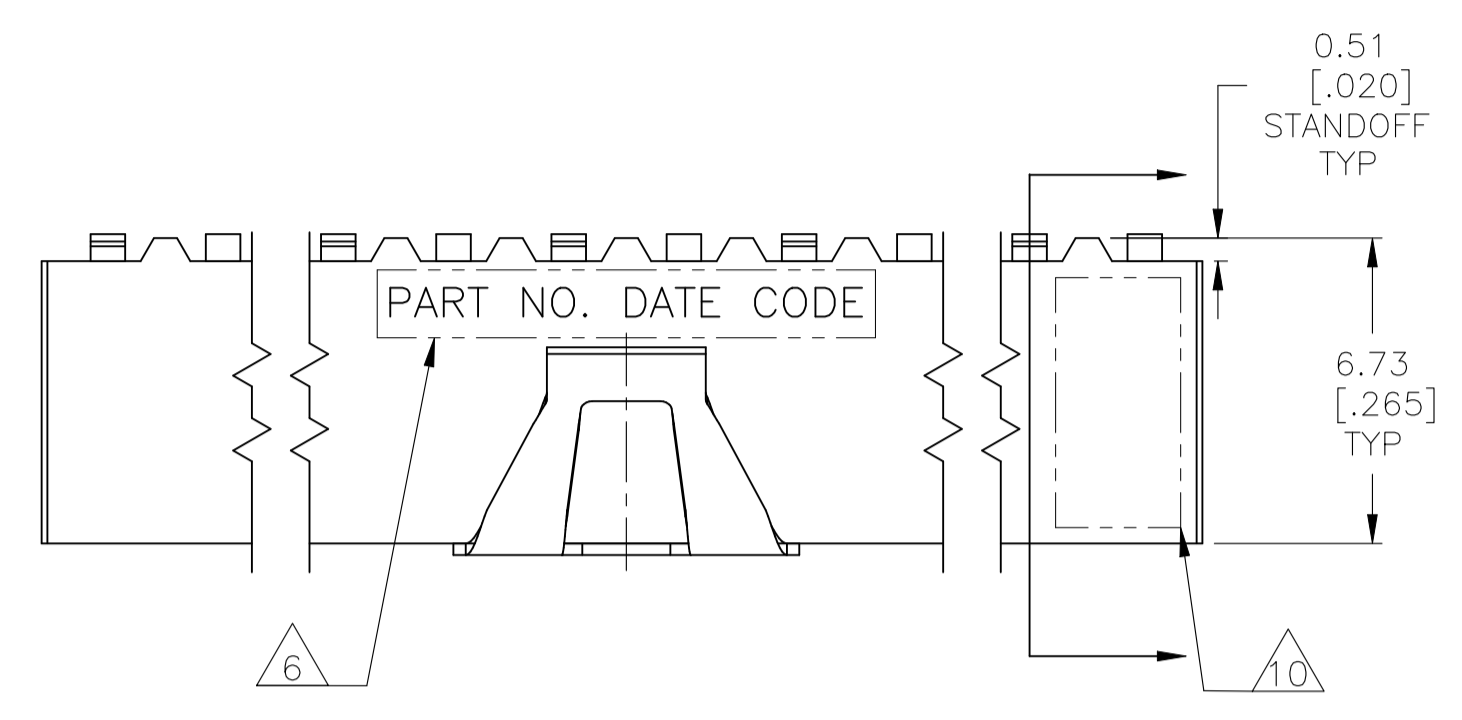


REVISIONS					
REV	DATE	DESCRIPTION	BY	CHK	APPV
J	25OCT2021	HOUSING RESIN CHANGED	SCB	KJK	



RECOMMENDED PC BOARD PAD PATTERN  
0.20[.008] THICK STENCIL

SUPERSEDED BY 6-147728-3

120mm	99.06 [3.900]	101.6 [4.000]	40	2	3-147728-9
	96.52 [3.800]	99.06 [3.900]	39	2	3-147728-8
	93.98 [3.700]	96.52 [3.800]	38	2	3-147728-7
	91.44 [3.600]	93.98 [3.700]	37	2	3-147728-6
	88.90 [3.500]	91.44 [3.600]	36	2	3-147728-5
	86.34 [3.400]	88.90 [3.500]	35	2	3-147728-4
	83.82 [3.300]	86.34 [3.400]	34	2	3-147728-3
	81.28 [3.200]	83.82 [3.300]	33	2	3-147728-2
	78.74 [3.100]	81.28 [3.200]	32	2	3-147728-1
	76.20 [3.000]	78.74 [3.100]	31	2	3-147728-0
	73.66 [2.900]	76.20 [3.000]	30	2	2-147728-9
	71.12 [2.800]	73.66 [2.900]	29	2	2-147728-8
	68.58 [2.700]	71.12 [2.800]	28	2	2-147728-7
	66.04 [2.600]	68.58 [2.700]	27	2	2-147728-6
88mm	63.5 [2.500]	66.04 [2.600]	26	2	2-147728-5
	60.96 [2.400]	63.5 [2.500]	25	2	2-147728-4
	58.42 [2.300]	60.96 [2.400]	24	2	2-147728-3
	55.88 [2.200]	58.42 [2.300]	23	2	2-147728-2
	53.34 [2.100]	55.88 [2.200]	22	2	2-147728-1
72mm	50.8 [2.000]	53.34 [2.100]	21	2	2-147728-0
	48.26 [1.900]	50.8 [2.000]	20	2	1-147728-9
	45.72 [1.800]	48.26 [1.900]	19	2	1-147728-8
	43.18 [1.700]	45.72 [1.800]	18	2	1-147728-7
	40.64 [1.600]	43.18 [1.700]	17	2	1-147728-6
	38.1 [1.500]	40.64 [1.600]	16	2	1-147728-5
	35.56 [1.400]	38.1 [1.500]	15	2	1-147728-4
	33.02 [1.300]	35.56 [1.400]	14	2	1-147728-3
	30.48 [1.200]	33.02 [1.300]	13	2	1-147728-2
	27.94 [1.100]	30.48 [1.200]	12	2	1-147728-1
44mm	25.4 [1.000]	27.94 [1.100]	11	2	1-147728-0
	22.86 [.900]	25.4 [1.000]	10	2	147728-9
	20.32 [.800]	22.86 [.900]	9	2	147728-8
	17.78 [.700]	20.32 [.800]	8	2	147728-7
	15.24 [.600]	17.78 [.700]	7	2	147728-6
	12.7 [.500]	15.24 [.600]	6	2	147728-5
	10.16 [.400]	12.7 [.500]	5	2	147728-4
	7.62 [.300]	10.16 [.400]	4	2	147728-3
	5.08 [.200]	7.62 [.300]	3	2	147728-2
	2.54 [.100]	5.08 [.200]	2	2	147728-1
EIA TAPE WIDTH	B	A	NO OF POSN	FINISH	PART NUMBER

14  
9 11  
OBSOLETE

THIS DRAWING IS A CONTROLLED DOCUMENT.

DIMENSIONS: mm [INCHES]	TOLERANCES UNLESS OTHERWISE SPECIFIED:	DIN R BROWN 19JAN01	APVD J OLSON 19JAN01	NAME
0. PLC ± -	1. PLC ± -	CHK J OLSON 19JAN01	APVD J OLSON 19JAN01	REC. ASSY., MOD IV, SR, .100 CL, SURFACE MOUNT, VRT. DUAL ENTRY CLOSED ENTRY
2. PLC ± -	2. PLC ± -			PRODUCT SPEC 108-25026
3. PLC ± .005	3. PLC ± -			APPLICATION SPEC 114-25018
4. PLC ± -	4. PLC ± -			SIZE A1 CAGE CODE 00779 DRAWING NO. 147728
ANGLES ± -	FINISH 1 2 12			WEIGHT -
MATERIAL 1				CUSTOMER DRAWING

TE Connectivity Ltd.  
SCALE 6:1 SHEET 1 OF 2 REV J

REVISIONS					
REV	DATE	DESCRIPTION	BY	CHK	APPV
-	-	SEE SHEET 1	-	-	-

- 1 HOUSING: FLAME RETARDANT, GLASS FILLED, POLYESTER, COLOR: BLACK.  
CONTACT: PHOSPHOR BRONZE  
VACUUM COVER: STAINLESS STEEL
- 2 CONTACT: DUPLEX PLATED 0.25µm[.000010] GOLD IN CONTACT AREA, 3.81-7.62µm[.000150-.000300] BRIGHT TIN-LEAD ON, LEADS, ALL OVER 1.27µm[.000050] MINIMUM NICKEL
- 3 THESE DIMENSIONS PERTAIN TO CAVITY CENTERLINES ONLY NOT TO CONTACT LOCATIONS
- 4 POINT OF MEASUREMENT DIMENSION FOR PLATING THICKNESS (INSIDE CONTACT BEAM).
- 5 POINT-OF-CONTACT DIMENSION.
- 6 MARK PART NUMBER AND DATE CODE IN APPROXIMATE LOCATION SHOWN, EITHER SIDE.
- 7 TOLERANCE IS NON-CUMULATIVE.
- 8 5.2[.205] MIN TARGET AREA FOR VACUUM PICK UP. COVER TO BE REMOVED AFTER SOLDERING.
- 9 FOR 2 POSITION DATE CODE IS MARKED OPPOSITE SIDE OF TE LOGO.
- 10 TE TRADEMARK AND CSA LOGO ARE MOLDED INTO HOUSING.
- 11 NO PART NUMBER MARKING REQUIRED ON THIS PART.
- 12 CONTACT: DUPLEX PLATED 0.25µm[.000010] GOLD IN CONTACT AREA, 3.81-7.62µm[.000150-.000300] MATTE TIN ON LEADS, ALL OVER 1.27µm[.000050] MINIMUM NICKEL.
- 13 ROHS 2002/95/EC COMPLIANT.
- 14 OBSOLETE

120mm	99.06 [3.900]	101.6 [4.000]	40	12	13	8-147728-9
	96.52 [3.800]	99.06 [3.900]	39	12	13	8-147728-8
	93.98 [3.700]	96.52 [3.800]	38	12	13	8-147728-7
	91.44 [3.600]	93.98 [3.700]	37	12	13	8-147728-6
	88.90 [3.500]	91.44 [3.600]	36	12	13	8-147728-5
	86.34 [3.400]	88.90 [3.500]	35	12	13	8-147728-4
	83.82 [3.300]	86.34 [3.400]	34	12	13	8-147728-3
	81.28 [3.200]	83.82 [3.300]	33	12	13	8-147728-2
	78.74 [3.100]	81.28 [3.200]	32	12	13	8-147728-1
	76.20 [3.000]	78.74 [3.100]	31	12	13	8-147728-0
	73.66 [2.900]	76.20 [3.000]	30	12	13	7-147728-9
	71.12 [2.800]	73.66 [2.900]	29	12	13	7-147728-8
	68.58 [2.700]	71.12 [2.800]	28	12	13	7-147728-7
	66.04 [2.600]	68.58 [2.700]	27	12	13	7-147728-6
88mm	63.5 [2.500]	66.04 [2.600]	26	12	13	7-147728-5
	60.96 [2.400]	63.5 [2.500]	25	12	13	7-147728-4
	58.42 [2.300]	60.96 [2.400]	24	12	13	7-147728-3
	55.88 [2.200]	58.42 [2.300]	23	12	13	7-147728-2
	53.34 [2.100]	55.88 [2.200]	22	12	13	7-147728-1
	50.8 [2.000]	53.34 [2.100]	21	12	13	7-147728-0
72mm	48.26 [1.900]	50.8 [2.000]	20	12	13	6-147728-9
	45.72 [1.800]	48.26 [1.900]	19	12	13	6-147728-8
	43.18 [1.700]	45.72 [1.800]	18	12	13	6-147728-7
	40.64 [1.600]	43.18 [1.700]	17	12	13	6-147728-6
	38.1 [1.500]	40.64 [1.600]	16	12	13	6-147728-5
	35.56 [1.400]	38.1 [1.500]	15	12	13	6-147728-4
	33.02 [1.300]	35.56 [1.400]	14	12	13	6-147728-3
	30.48 [1.200]	33.02 [1.300]	13	12	13	6-147728-2
	27.94 [1.100]	30.48 [1.200]	12	12	13	6-147728-1
	25.4 [1.000]	27.94 [1.100]	11	12	13	6-147728-0
	22.86 [.900]	25.4 [1.000]	10	12	13	5-147728-9
	20.32 [.800]	22.86 [.900]	9	12	13	5-147728-8
44mm	17.78 [.700]	20.32 [.800]	8	12	13	5-147728-7
	15.24 [.600]	17.78 [.700]	7	12	13	5-147728-6
	12.7 [.500]	15.24 [.600]	6	12	13	5-147728-5
	10.16 [.400]	12.7 [.500]	5	12	13	5-147728-4
	7.62 [.300]	10.16 [.400]	4	12	13	5-147728-3
	5.08 [.200]	7.62 [.300]	3	12	13	5-147728-2
	2.54 [.100]	5.08 [.200]	2	12	13	5-147728-1
	OBSOLETE					
EIA TAPE WIDTH	B	A	NO OF POSN	FINISH	PART NUMBER	

THIS DRAWING IS A CONTROLLED DOCUMENT.

DIN	R BROWN	19JAN01
CHK	J OLSON	19JAN01
APPV	J OLSON	19JAN01

TE Connectivity Ltd.

REC. ASSY., MOD IV, SR, .100 CL, SURFACE MOUNT, VRT, DUAL ENTRY CLOSED ENTRY

108-25026

114-25018

SIZE: A1

SCALE: 1:1

SHEET 2 OF 2

REV J

单击下面可查看定价，库存，交付和生命周期等信息

[>>TE Connectivity\(泰科\)](#)