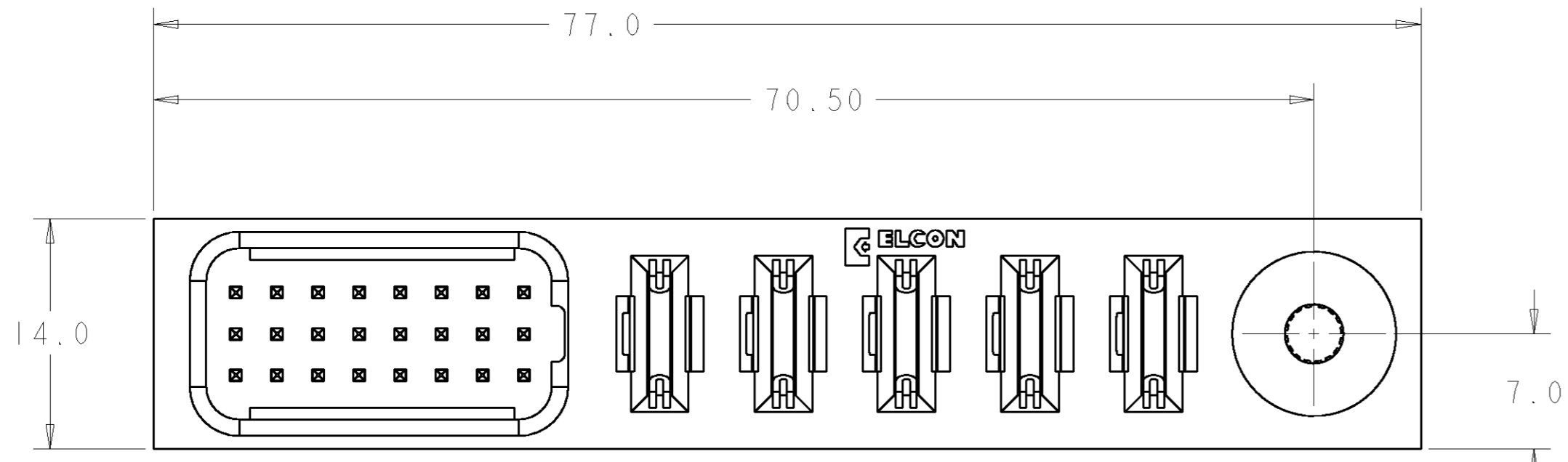


THIS DRAWING IS UNPUBLISHED. RELEASED FOR PUBLICATION 20
 © COPYRIGHT 20 BY TYCO ELECTRONICS CORPORATION. ALL RIGHTS RESERVED.

| LOC | DIST | REVISIONS | | | | | |
|-----|------|-----------|-----|-------------|-----------|-----|------|
| GP | 00 | P | LTR | DESCRIPTION | DATE | DWN | APVD |
| | | A | | NEW RELEASE | 08AUG2007 | RG | PD |



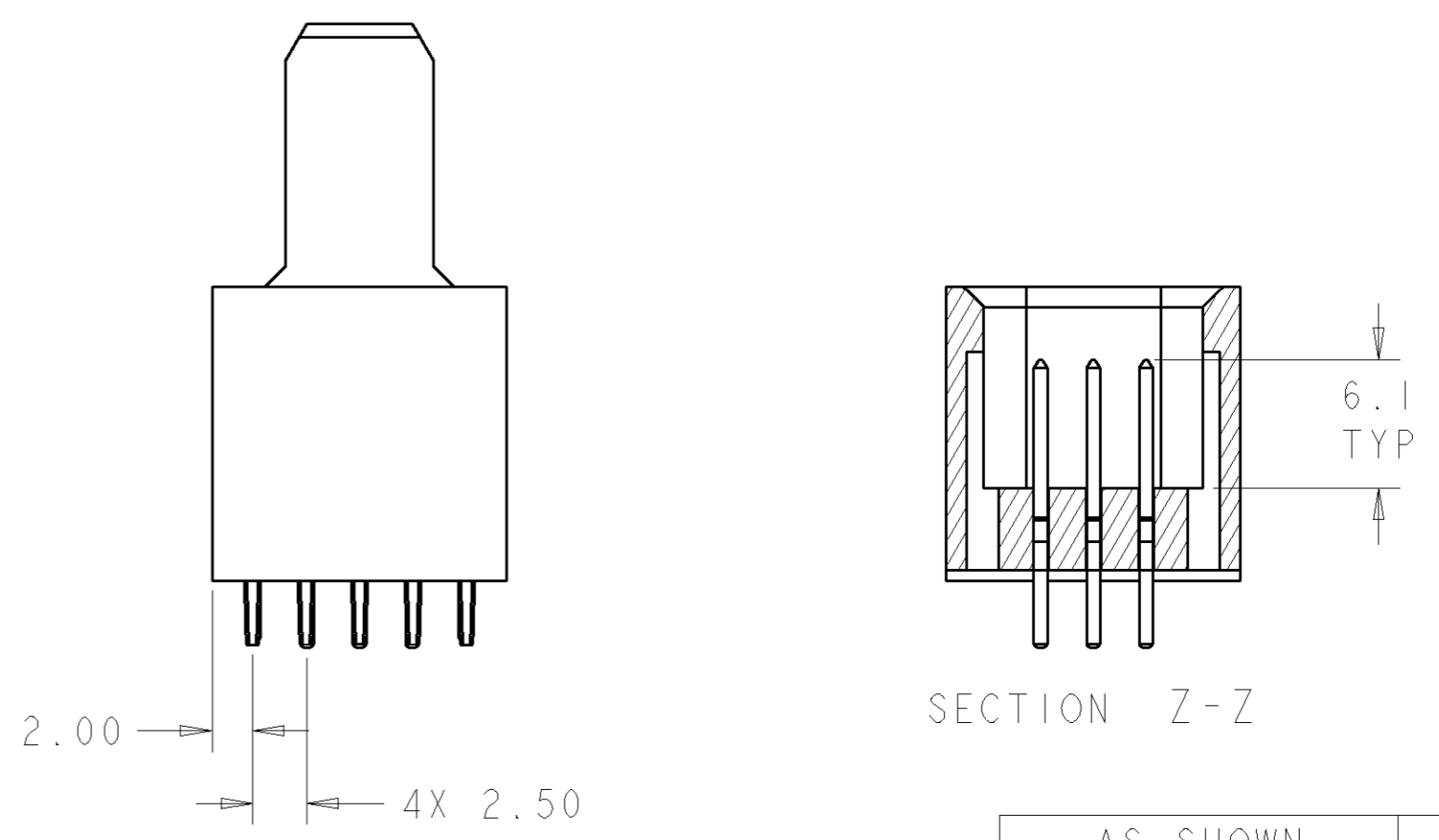
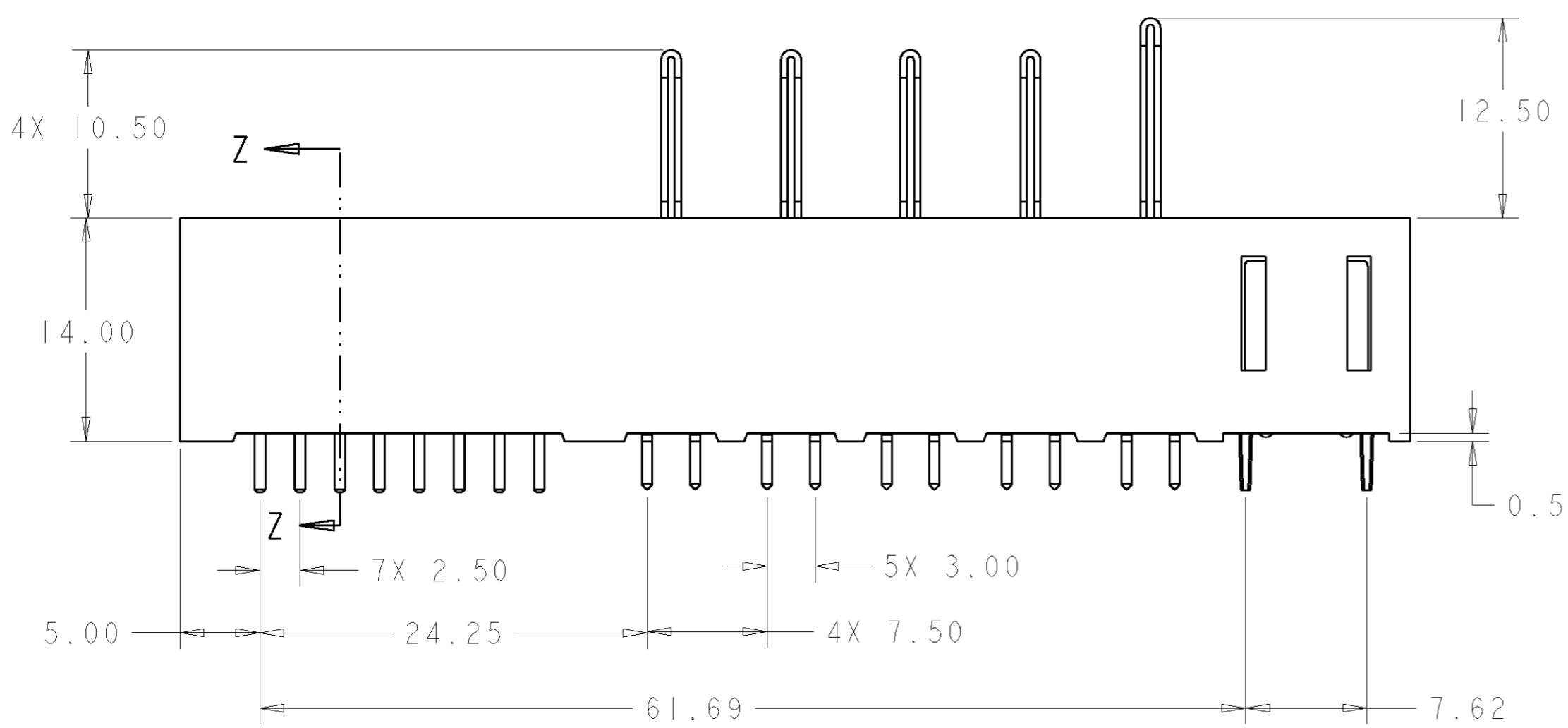
1. PART NUMBER CHANGES AND OR DESIGN CHANGES AFFECTING ITEM INTERCHANGEABILITY REQUIRE PRIOR TYCO ELECTRONICS APPROVAL AND AUTHORIZATION BY REVISION TO THIS DRAWING.

2 MATERIAL:
 INSULATORS - THERMOPLASTIC, GLASS REINFORCED
 COLOR: BLACK, UL94V-0 FLAMMABILITY RATED.
 POWER CONTACTS - PHOSPHOR BRONZE ALLOY,
 COPPER ALLOY
 SOLDER SIGNAL PIN - BRASS ALLOY
 CROWN BAND-BERYLLIUM COPPER ALLOY

3 FINISH:
 CONTACTS - GOLD PLATE 0.76µM MIN. THK. OVER
 NICKEL 3.81µM MIN. THK
 SOLDER TAILS TIN 3.05µM MIN. THK. OVER
 NICKEL 3.81µM MIN. THK

4 ITEMS PROVIDED TO THIS SPECIFICATION TO BE PERMANENTLY IDENTIFIED PER THE FOLLOWING IDENTIFIER LABEL

YEAR WEEK
 TYCO ELECTRONICS P/N: XXXXXXXX-X
 DATE CODE (e.g. 0106): XXXX



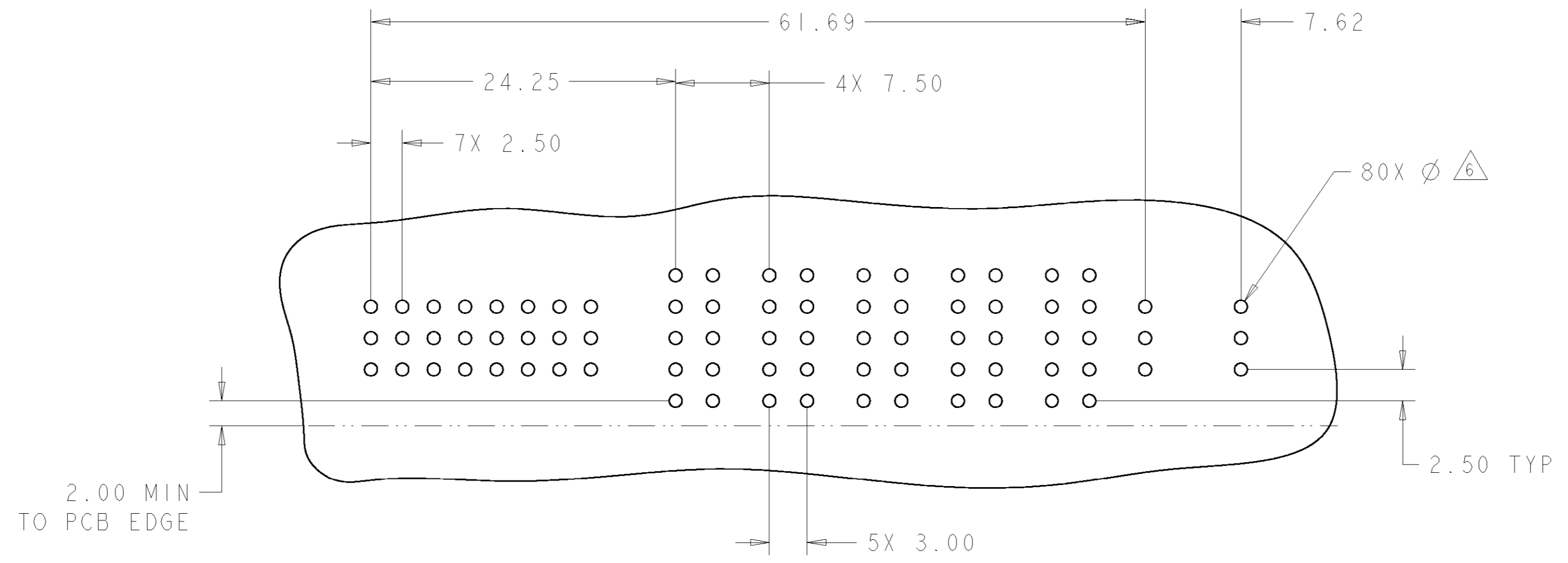
| | |
|-------------|-------------|
| AS SHOWN | 6646572-1 |
| DESCRIPTION | PART NUMBER |

ELCON FLATPAQ

| | | | |
|---|---|--|--|
| THIS DRAWING IS A CONTROLLED DOCUMENT FOR TYCO ELECTRONICS CORPORATION. IT IS SUBJECT TO CHANGE AND THE CONTROLLING ENGINEERING ORGANIZATION SHOULD BE CONTACTED FOR THE LATEST REVISION. | | DWN: 08AUG2007 R. GRZYBOWSKI CHK: 08AUG2007 P. DAMATO APVD: 08AUG2007 S. FLICKINGER | Tyco Electronics Harrisburg, PA 17105-3608 |
| DIMENSIONS: mm | TOLERANCES UNLESS OTHERWISE SPECIFIED: 0 PLC ±.5 1 PLC ±.5 2 PLC ±.25 3 PLC ±.5 4 PLC ±.5 ANGLES ±3 FINISH | NAME: PIN CONNECTOR STRAIGHT, SOLDER TAIL FLATPAQ PRODUCT SPEC: - APPLICATION SPEC: - WEIGHT: - | SIZE: A2 CAGE CODE: 200779 DRAWING NO: 6646572 RESTRICTED TO: - |
| MATERIAL: - | | CUSTOMER DRAWING | SCALE: 3:1 SHEET 1 OF 3 REV A |

THIS DRAWING IS UNPUBLISHED. RELEASED FOR PUBLICATION 20
 © COPYRIGHT 20 BY TYCO ELECTRONICS CORPORATION. ALL RIGHTS RESERVED.

| LOC | DIST | REVISIONS | | | |
|-----|------|-------------|-------------|-----|------|
| P | LTR | DESCRIPTION | DATE | DWN | APVD |
| GP | 00 | - | SEE SHEET 1 | - | - |
| | | | | | |
| | | | | | |



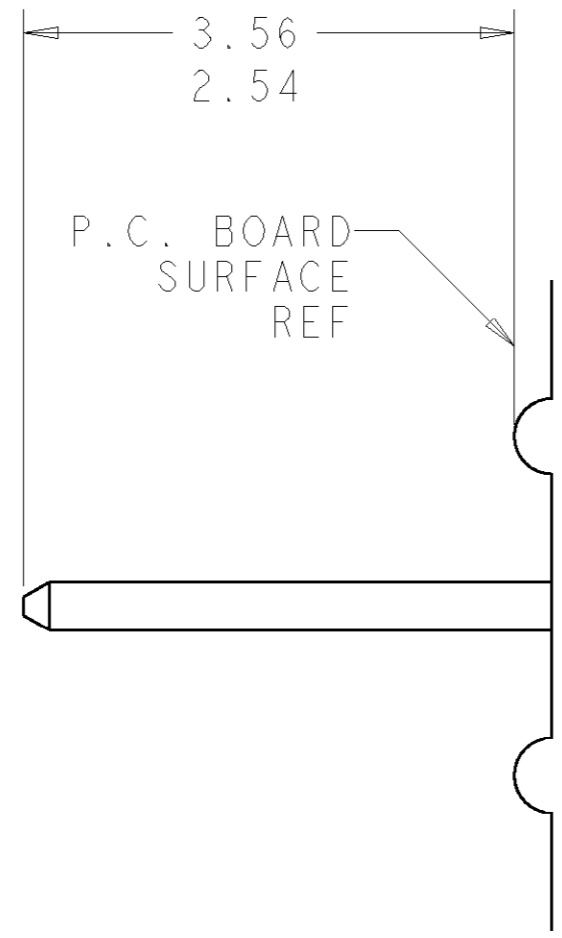
PRINTED CIRCUIT LAYOUT
 COMPONENT SIDE

| CONNECTOR | CATALOG MODULE # | QTY | SIZE NO. | CONTACT QTY | MATING PIN | MAX. CURRENT (PER CONTACT) | CONTACT SPACING | VOLTAGE RATING |
|-----------|------------------|-----|------------------------------------|-------------|------------------------------|----------------------------|-----------------|----------------|
| PIN | FP101 | 4 | 8 | 4 | 1.25 X 7.00 [.049 X .276] | 35 amps | 7.50 [.2953] | 250 VOLTS |
| | FP102 | 1 | 8 | 1 | 1.25 X 7.00 [.049 X .276] | 35 amps | 7.50 [.2953] | 250 VOLTS |
| | FP300 | 1 | 8 | 24 | .64 [.025] SQ. | 3 amps | 2.50 [.0984] | 125 VOLTS |
| | - | 1 | CROWN HOUSING, MOD., PERPENDICULAR | | | | | |

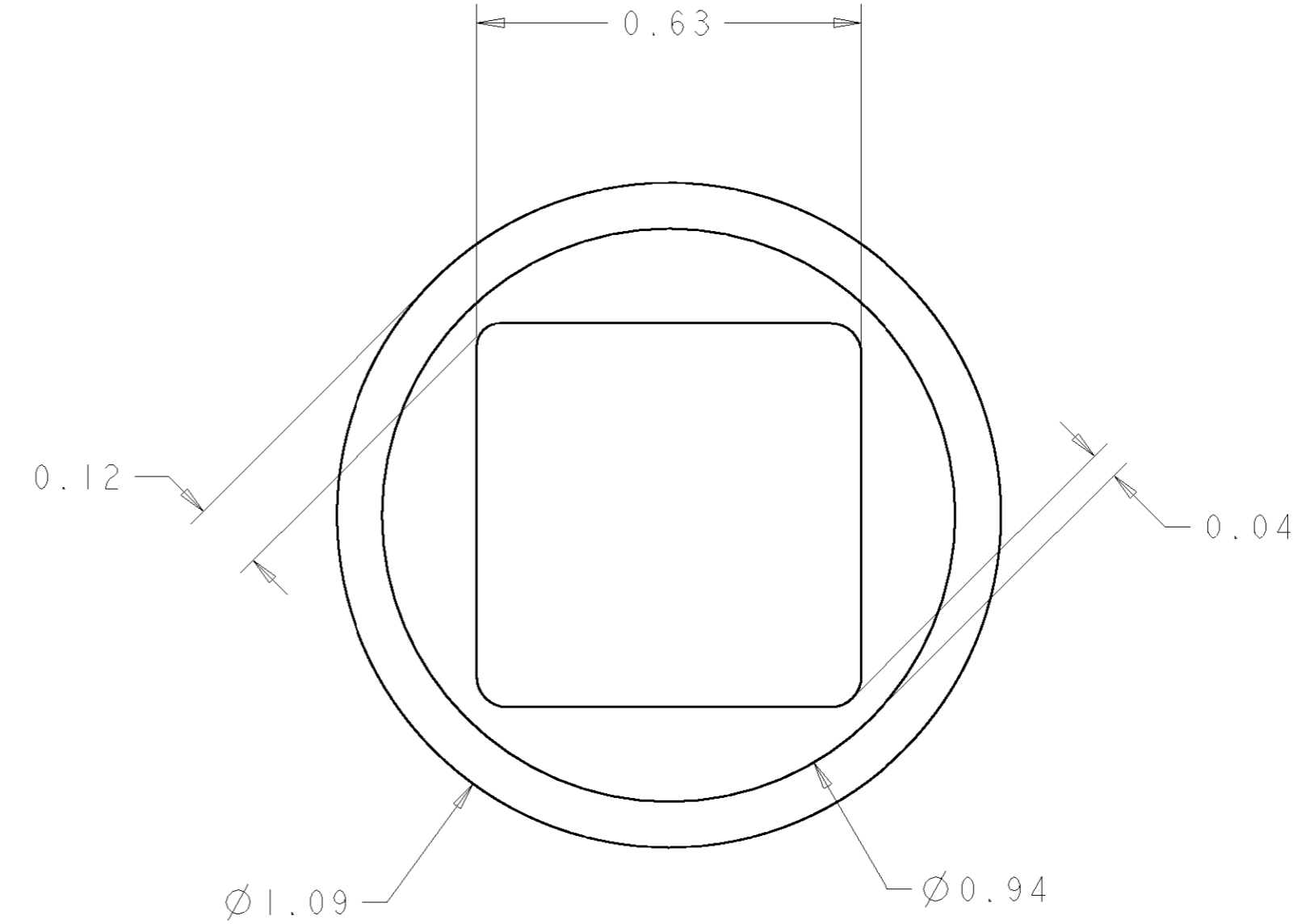
| | | | |
|--|---|---|--|
| THIS DRAWING IS A CONTROLLED DOCUMENT FOR TYCO ELECTRONICS CORPORATION IT IS SUBJECT TO CHANGE AND THE CONTROLLING ENGINEERING ORGANIZATION SHOULD BE CONTACTED FOR THE LATEST REVISION. | | DWN 08AUG2007 R. GRZYBOWSKI CHK 08AUG2007 P. DAMATO APVD 08AUG2007 S. FLICKINGER | Tyco Electronics Harrisburg, PA 17105-3608 |
| DIMENSIONS: mm | TOLERANCES UNLESS OTHERWISE SPECIFIED: 0 PLC ±.5 1 PLC ±.5 2 PLC ±.25 3 PLC ±.5 4 PLC ±.5 ANGLES ±3 FINISH | PRODUCT SPEC APPLICATION SPEC WEIGHT CUSTOMER DRAWING | NAME PIN CONNECTOR STRAIGHT, SOLDER TAIL FLATPAQ SIZE CAGE CODE DRAWING NO RESTRICTED TO A200779C-6646572 - |
| | | SCALE 3:1 | SHEET 2 OF 3 REV A |

THIS DRAWING IS UNPUBLISHED. RELEASED FOR PUBLICATION 20
 © COPYRIGHT 20 BY TYCO ELECTRONICS CORPORATION. ALL RIGHTS RESERVED.

| LOC | DIST | REVISIONS | | | |
|-----|------|-------------|-------------|-----|------|
| P | LTR | DESCRIPTION | DATE | DWN | APVD |
| GP | 00 | - | SEE SHEET 1 | - | - |
| | | | | | |
| | | | | | |



5. SOLDER PIN DETAIL
SCALE 10 : 1



6. SOLDER TERMINATION AREA
SCALE 40:1
 RECOMMENDED PRINTED CIRCUIT SOLDER HOLE
 FINISHED HOLE: $\varnothing 1.02$ [.040] $\pm .08$ [.003]
 DRILLED HOLE: $\varnothing 1.15$ [.0453] $\pm .013$ [.0005]
 COPPER PLATE: .025 [.0010] MIN
 TIN PLATE: .008 [.0003] MIN. (PER SURFACE)

| | | | | |
|---|--|---|---|---|
| <small>THIS DRAWING IS A CONTROLLED DOCUMENT FOR TYCO ELECTRONICS CORPORATION IT IS SUBJECT TO CHANGE AND THE CONTROLLING ENGINEERING ORGANIZATION SHOULD BE CONTACTED FOR THE LATEST REVISION.</small> | | DWN R. GRZYBOWSKI CHK P. DAMATO APVD S. FLICKINGER | 08AUG2007 08AUG2007 08AUG2007 | Tyco Electronics Harrisburg, PA 17105-3608 |
| DIMENSIONS: mm | TOLERANCES UNLESS OTHERWISE SPECIFIED: 0 PLC $\pm .5$ 1 PLC $\pm .5$ 2 PLC $\pm .25$ 3 PLC $\pm .5$ 4 PLC $\pm .5$ ANGLES ± 3 FINISH | PRODUCT SPEC - APPLICATION SPEC - WEIGHT - | NAME PIN CONNECTOR STRAIGHT, SOLDER TAIL FLATPAQ | SIZE A200779 |
| MATERIAL - | FINISH - | CUSTOMER DRAWING | DRAWING NO C-6646572 | RESTRICTED TO - |
| SCALE 3:1 | | | SHEET 3 OF 3 | REV A |

单击下面可查看定价，库存，交付和生命周期等信息

[>>TE Connectivity\(泰科\)](#)