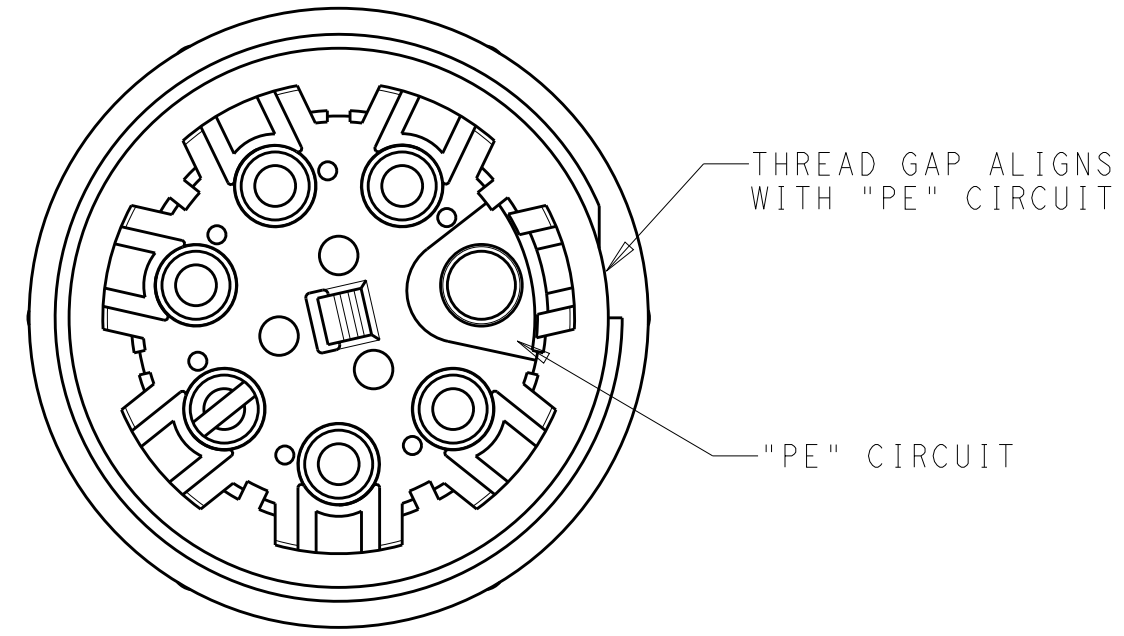
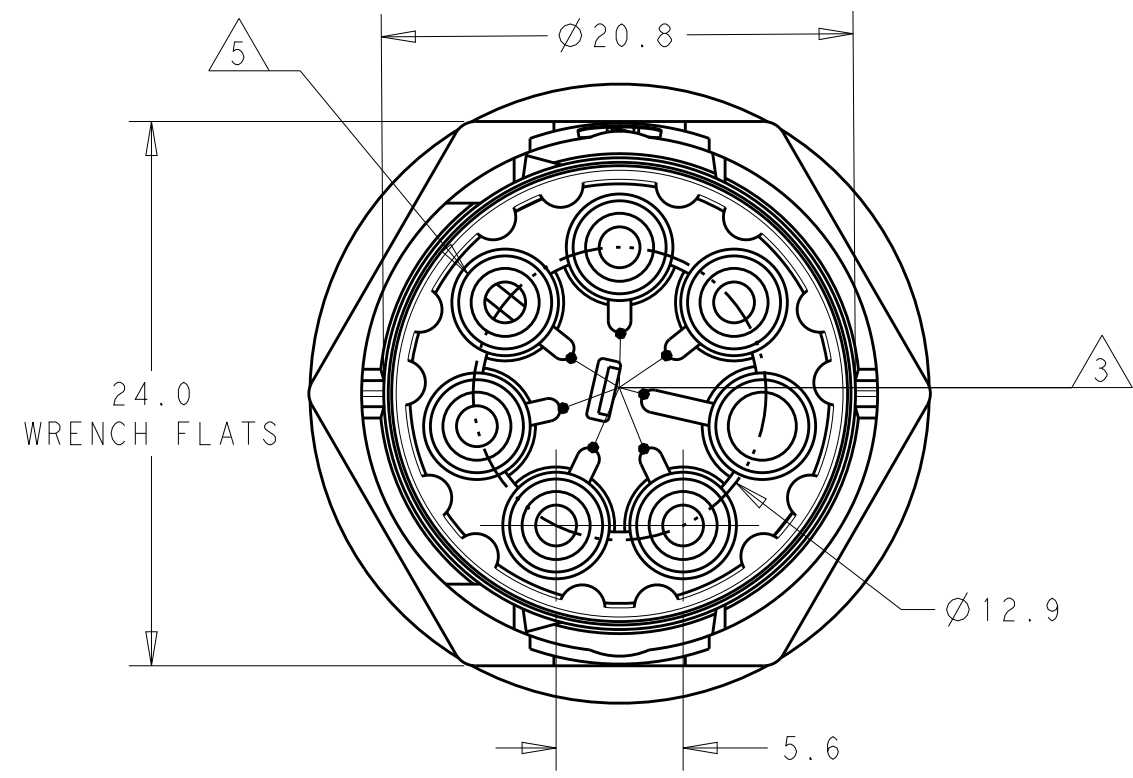
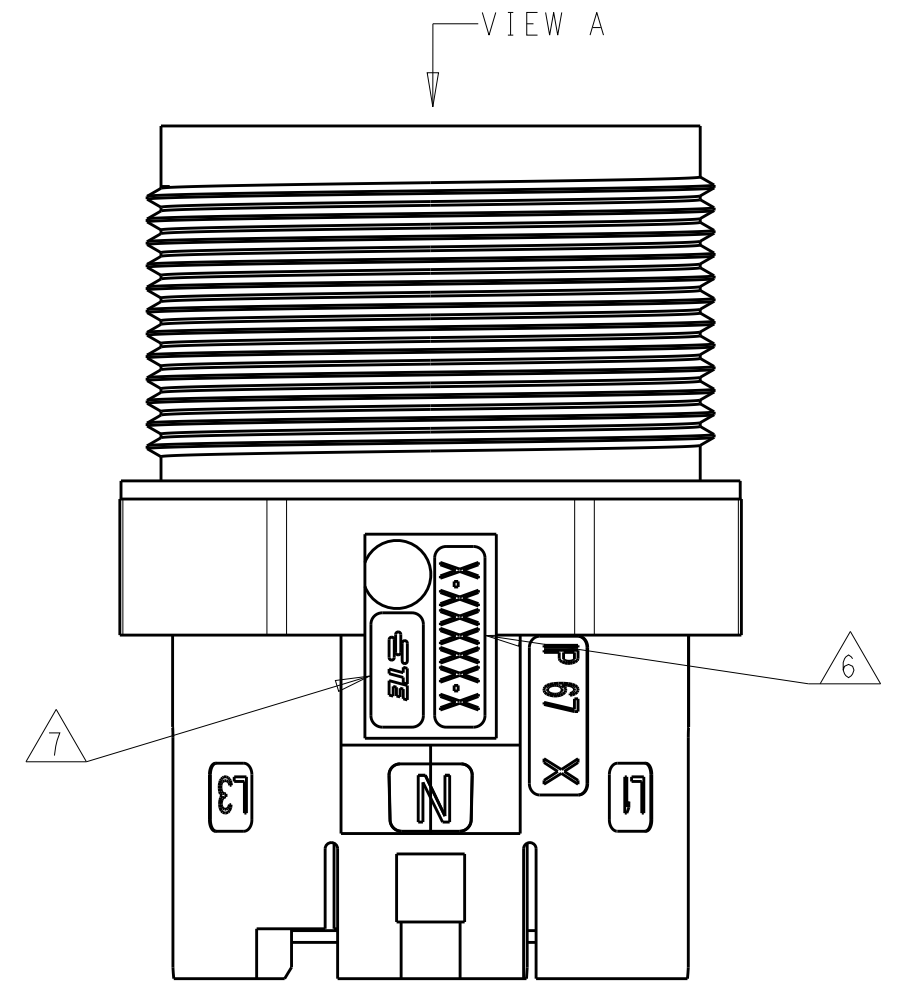


THIS DRAWING IS UNPUBLISHED. RELEASED FOR PUBLICATION 20  
 © COPYRIGHT 20 BY - ALL RIGHTS RESERVED.

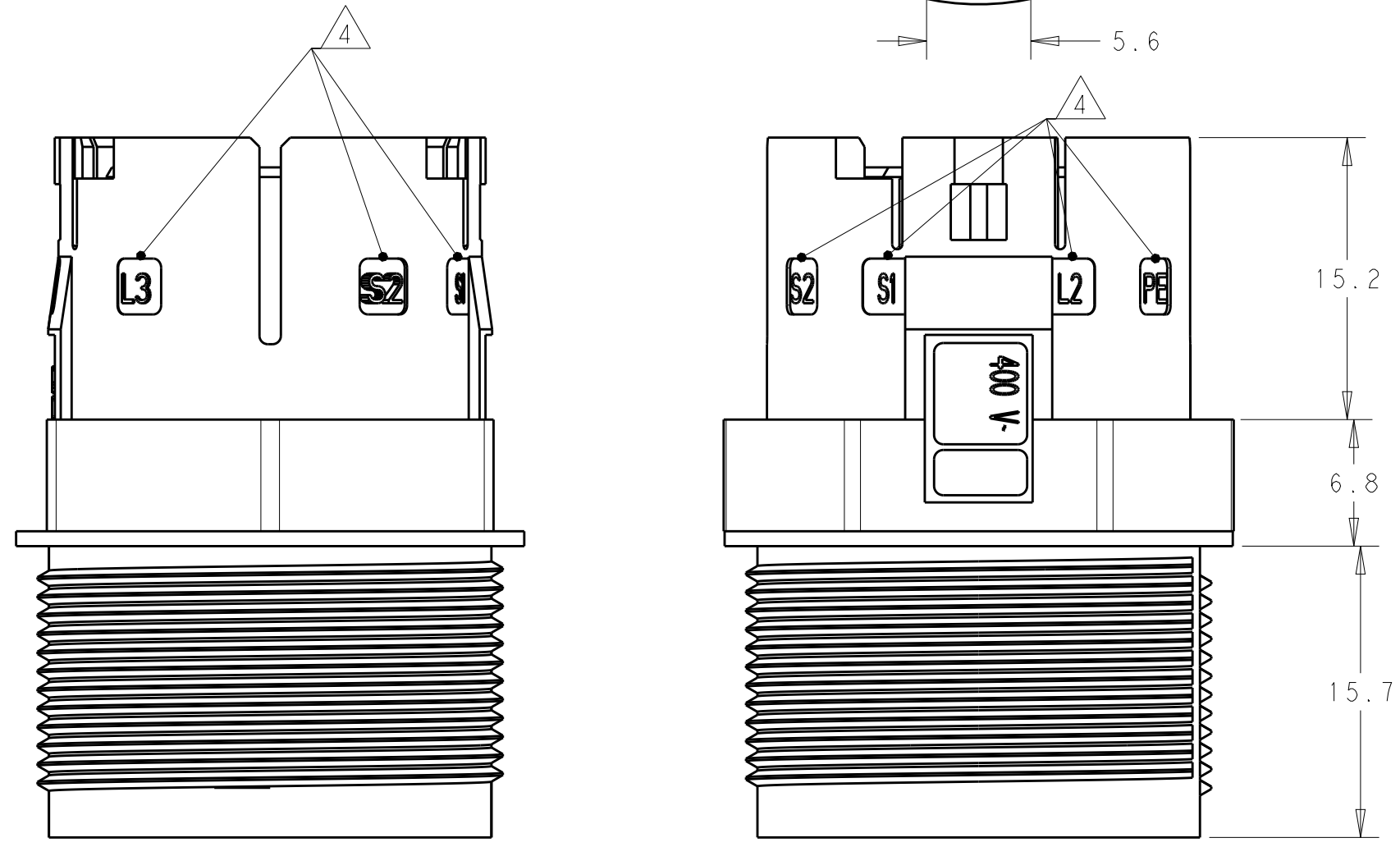
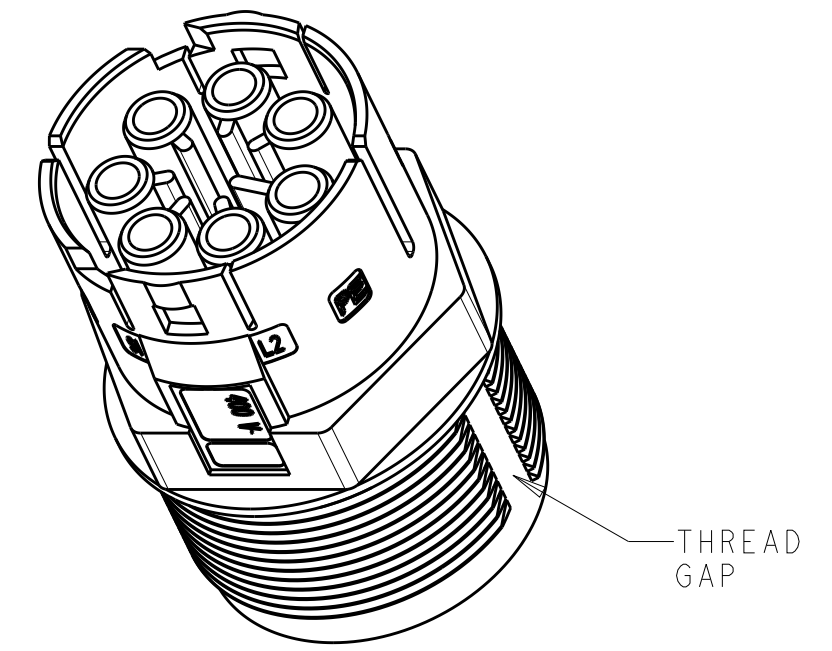
REVISIONS				
P	LTR	DESCRIPTION	DATE	APVD
A		REVISED AS PER ECR-15-005925	21APR2015	RS JL
B		REVISED AS PER ECR-16-000859	08MAR2016	RS JL
B1		ECR-18-006945	02JUL2018	SR MZ

NOTES:

1. MATERIAL: GLASS FILLED PBT, COLOR: BLACK
2. MUST COMPLY WITH DIRECTIVE 2002/95/EC (ROHS)
3. ALL POLARIZATION KEYS SHOWN FOR REF ONLY.
4. CIRCUIT I.D.
5. CIRCUIT "L3" IS BLOCKED TO PREVENT CONTACT INSTALLATION.
6. TE PART NUMBER
7. TE LOGO
8. THIS PRODUCT HAS NOT COMPLETED VALIDATION TESTING



VIEW A SCALE 3:1

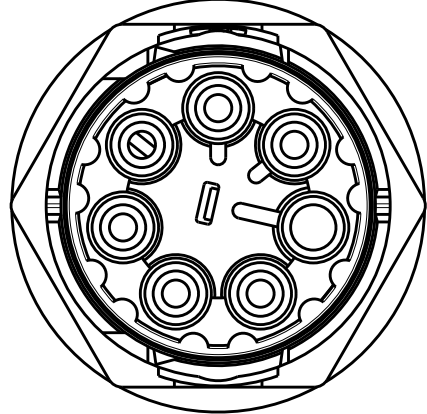
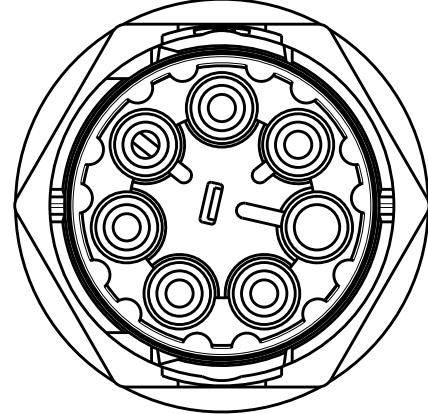
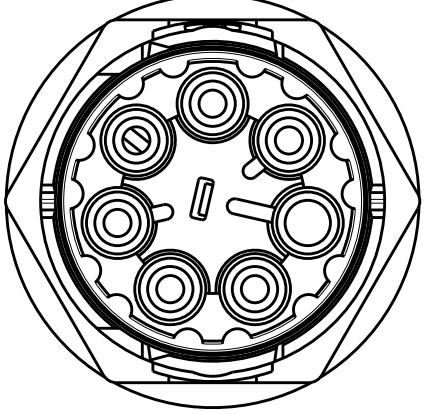
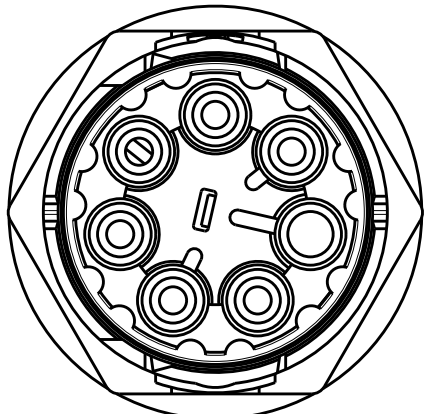
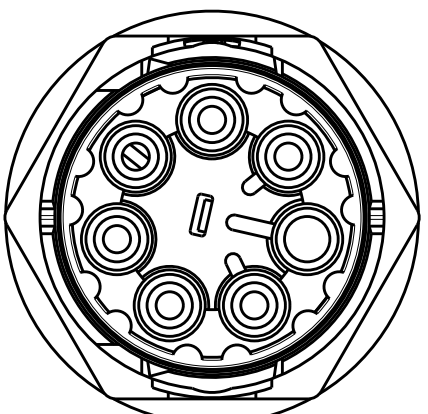



OBSOLETE	E	FREE HANGING SKT. SEALED NECTOR M, 6 POSN	2213239-5
	D	FREE HANGING SKT. SEALED NECTOR M, 6 POSN	2213239-4
	C	FREE HANGING SKT. SEALED NECTOR M, 6 POSN	2213239-3
	B	FREE HANGING SKT. SEALED NECTOR M, 6 POSN	2213239-2
	A	FREE HANGING SKT. SEALED NECTOR M, 6 POSN	2213239-1
	POLARIZATION TYPE		DESCRIPTION

THIS DRAWING IS A CONTROLLED DOCUMENT.		DWN J. SHAFFER 11NOV2013	TE Connectivity	
DIMENSIONS: mm		CHK M. LUKSIC 11NOV2013		
TOLERANCES UNLESS OTHERWISE SPECIFIED:		APVD M. LUKSIC 11NOV2013	NAME	
0 PLC ±	1 PLC ±0.2	PRODUCT SPEC	FREE HANGING, SOCKET SEALED NECTOR M, 6 POSN	
2 PLC ±0.13	3 PLC ±	108-133014	SIZE	CAGE CODE
4 PLC ±	ANGLES ±	114-32111	A2	-
FINISH -	-	WEIGHT -	DRAWING NO	RESTRICTED TO
NOTE 1	-	CUSTOMER DRAWING	G-2213239	-
SCALE 2:1			SHEET 1 OF 2	REV B1

THIS DRAWING IS UNPUBLISHED. RELEASED FOR PUBLICATION 20  
 © COPYRIGHT 20 BY - ALL RIGHTS RESERVED.

REVISIONS				
P	LTR	DESCRIPTION	DATE	APVD
-		SEE SHEET 1	-	-

POLARIZATION TYPES		
POLARIZATION TYPE "A"	POLARIZATION TYPE "B"	POLARIZATION TYPE "C"
		
PN: 2213239-1	<del>PN: 2213239-2</del>	<del>PN: 2213239-3</del>
POLARIZATION TYPE "D"	POLARIZATION TYPE "E"	
		
<del>PN: 2213239-4</del>	<del>PN: 2213239-5</del>	

THIS DRAWING IS A CONTROLLED DOCUMENT.		DWN J. SHAFFER 11NOV2013	 TE Connectivity	
DIMENSIONS: mm		CHK M. LUKSIC 11NOV2013		
TOLERANCES UNLESS OTHERWISE SPECIFIED:		APVD M. LUKSIC 11NOV2013	NAME FREE HANGING, SOCKET SEALED NECTOR M, 6 POSN	
0 PLC ±		PRODUCT SPEC 108-133014	SIZE A2	
1 PLC ±0.2		APPLICATION SPEC 114-32111	CAGE CODE -	
2 PLC ±0.13		WEIGHT -	DRAWING NO C-2213239	
3 PLC ±		CUSTOMER DRAWING	RESTRICTED TO -	
4 PLC ±		SCALE 2:1	SHEET 2 OF 2	
ANGLES ±			REV B1	
FINISH -				
NOTE 1 -				

单击下面可查看定价，库存，交付和生命周期等信息

[>>TE Connectivity\(泰科\)](#)