

D

C

B

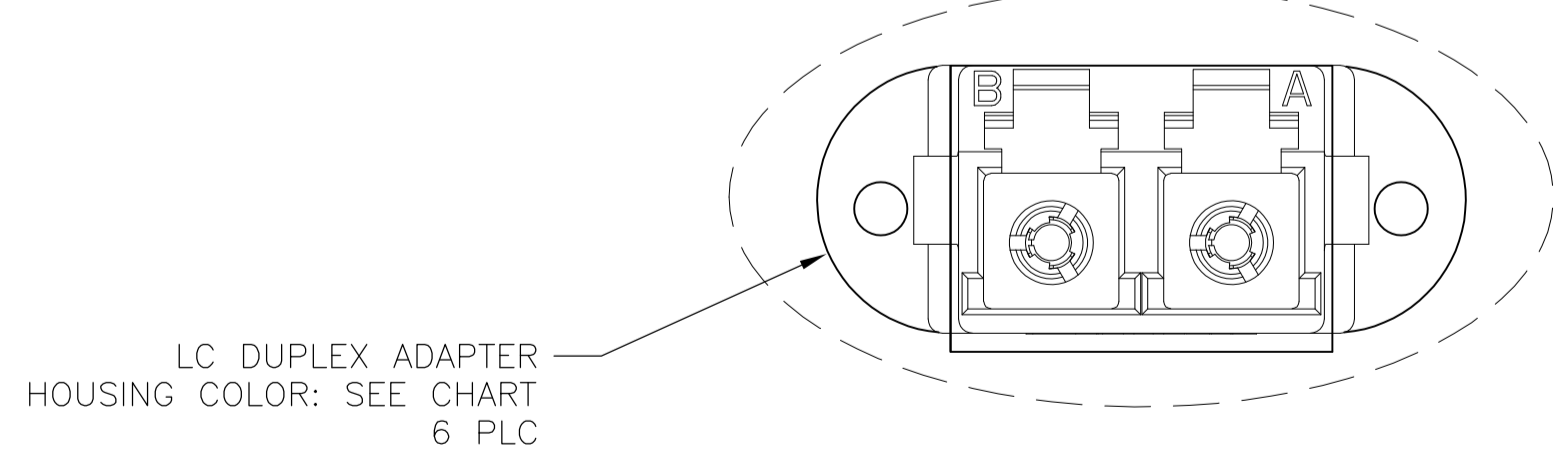
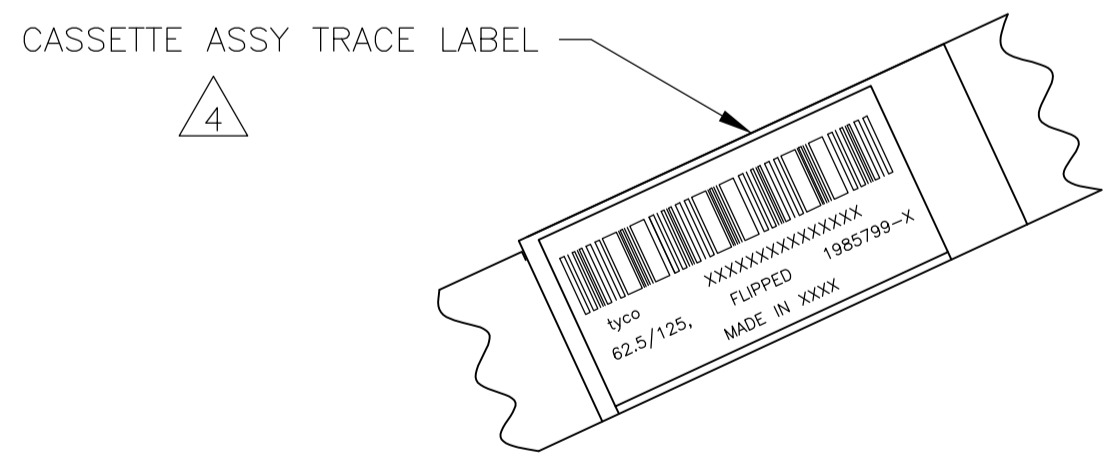
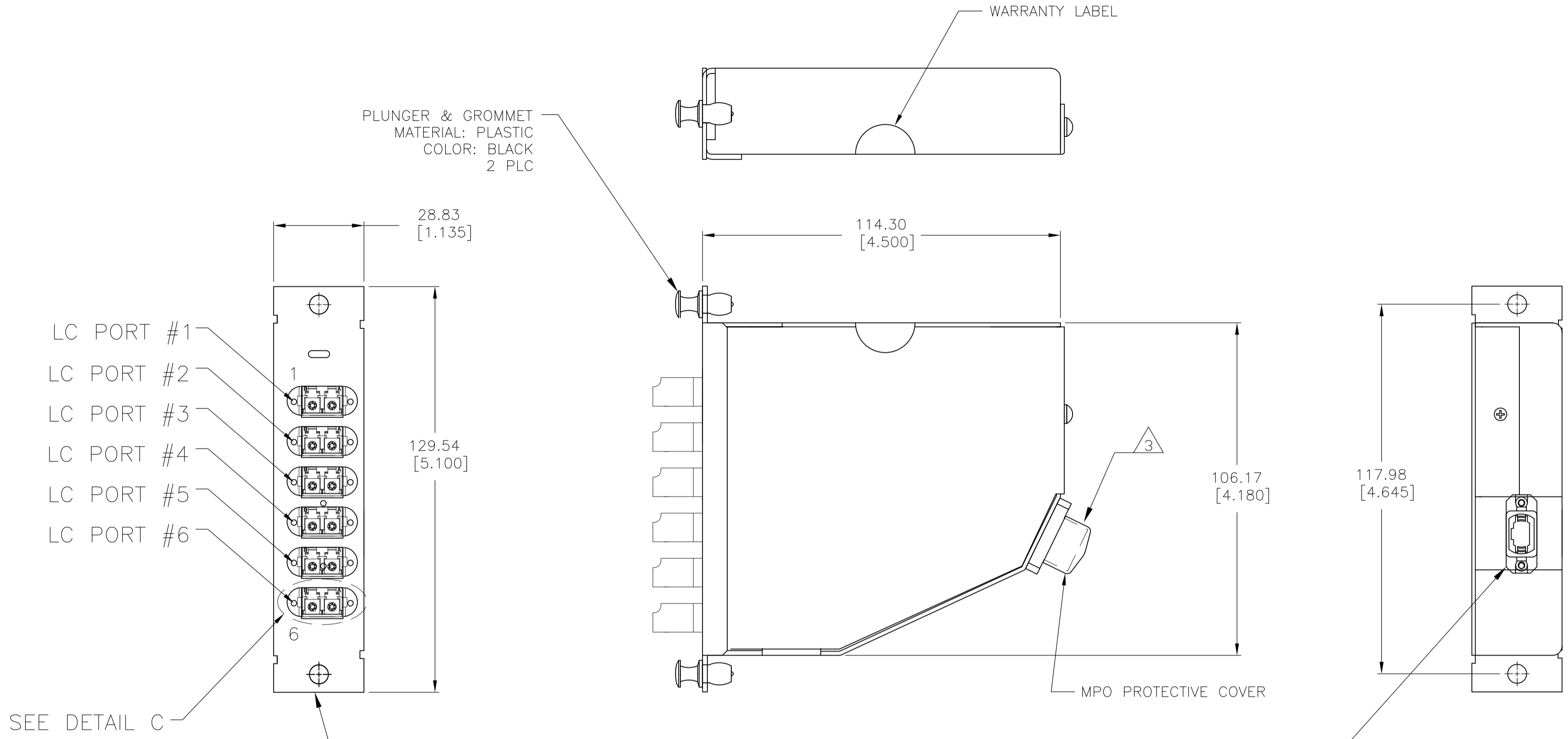
A

D

C

B

A



THIS DRAWING IS A CONTROLLED DOCUMENT.		DWN	J. SHIPE	08JUL2011	TE Connectivity		
DIMENSIONS:		CHK	J. SHIPE	08JUL2011			
TOLERANCES UNLESS OTHERWISE SPECIFIED:		APVD	J. SHIPE	08JUL2011			
mm		NAME		CASSETTE, 6 PORT, 62.5/125um, MPO TO LC, PAIRS FLIPPED			
0 PLC ± - 1 PLC ± - 2 PLC ± - 3 PLC ± - 4 PLC ± - ANGLES ± ± - FINISH -		PRODUCT SPEC		SIZE	CAGE CODE	DRAWING NO	RESTRICTED TO
MATERIAL		APPLICATION SPEC		WEIGHT	A2	00779	1985799
-		CUSTOMER DRAWING		SCALE	NTS	SHEET	1 OF 2
				REV			B


THIS DRAWING IS UNPUBLISHED. RELEASED FOR PUBLICATION  
 © COPYRIGHT - By - ALL RIGHTS RESERVED.

LOC	DIST	REVISIONS			
P	LTR	DESCRIPTION	DATE	DWN	APVD
HP	00	SEE SHEET 1	-	-	-

1. MAXIMUM CABLE ASSEMBLY INSERTION LOSS IS 1.25dB WHEN TESTED AT 1300nm.
2. PRODUCT AND PROCESSING MUST MEET REQUIREMENTS OF TE STANDARD TEC-138-702
3. WHITE MARKING ON MPO TO BE FACING TOWARD TOP OF CONNECTOR MODULE. WHITE MARK INDICATES FIBER 1 SIDE
4. SEE TRACE LABEL DETAIL
5. A COPY OF CASSETTE ASSEMBLY LOSS TEST DATA WILL BE PLACED INSIDE OR WITH THE UNIT PACKAGE. CASSETTES WILL BE TESTED AT 1300nm WAVELENGTH.

FIBER PATH PAIRS FLIPPED		
LC/PC PORTS		MPO
INSIDE	OUTSIDE	
1A	1B	1
1B	1A	2
2A	2B	3
2B	2A	4
3A	3B	5
3B	3A	6
4A	4B	7
4B	4A	8
5A	5B	9
5B	5A	10
6A	6B	11
6B	6A	12

PER SPECIFICATION 107-1645-1

TE BAR CODE {  }

XXXXXXXXXXXXXXXXXXXXX } TE TRACE # - HUMAN READABLE

**STE** 62.5/125, FLIPPED X-XXXXXXX-X } TE PART NO.

MADE IN XXXX

COUNTRY OF ORIGIN

4 TRACE LABEL DETAIL

BLACK STANDARD	AQUA SECURE	1-1985799-1
BLACK STANDARD	SLATE SECURE	1-1985799-0
BLACK STANDARD	ROSE SECURE	1985799-9
BLACK STANDARD	VIOLET SECURE	1985799-8
BLACK STANDARD	BROWN SECURE	1985799-7
BLACK STANDARD	ORANGE SECURE	1985799-6
BLACK STANDARD	YELLOW SECURE	1985799-5
BLACK STANDARD	BLUE SECURE	1985799-4
BLACK STANDARD	GREEN SECURE	1985799-3
BLACK STANDARD	RED SECURE	1985799-2
BLACK STANDARD	BEIGE STANDARD	1985799-1
MPO COUPLING BUSHING COLOR & TYPE	LC ADAPTER COLOR & TYPE	PART NUMBER

THIS DRAWING IS A CONTROLLED DOCUMENT.		DWN J. SHIPE 08JUL2011	<b>STE</b> TE Connectivity	
DIMENSIONS: mm		CHK J. SHIPE 08JUL2011		
TOLERANCES UNLESS OTHERWISE SPECIFIED:		APVD J. SHIPE 08JUL2011	NAME CASSETTE, 6 PORT, 62.5/125um, MPO TO LC, PAIRS FLIPPED	
0 PLC ± -		PRODUCT SPEC	SIZE A2 CAGE CODE 00779 DRAWING NO C=1985799 RESTRICTED TO -	
1 PLC ± -		APPLICATION SPEC	SCALE NTS SHEET 2 OF 2 REV B	
2 PLC ± -		WEIGHT -		
3 PLC ± -		CUSTOMER DRAWING		
4 PLC ± -				
ANGLES ± -				
FINISH -				

单击下面可查看定价，库存，交付和生命周期等信息

[>>TE Connectivity\(泰科\)](#)