

4

3

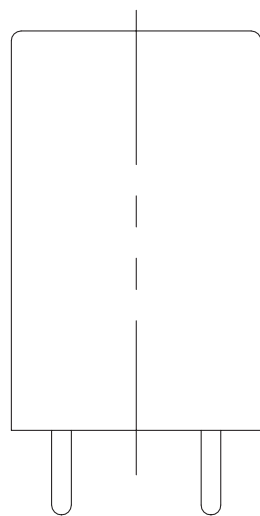
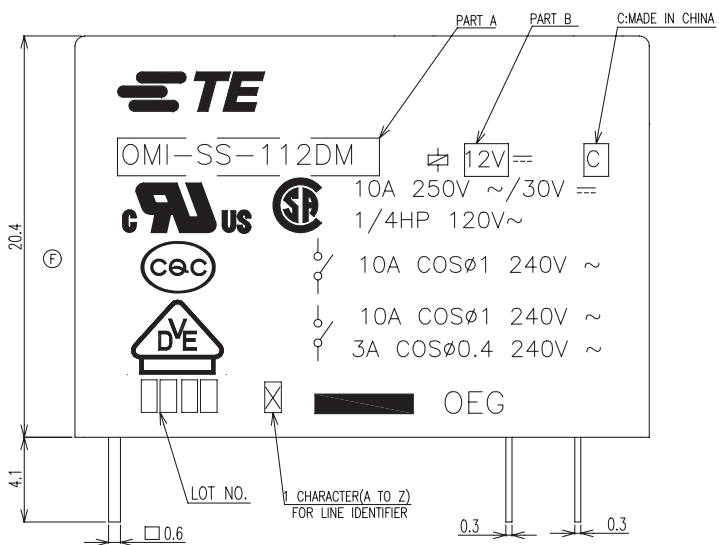
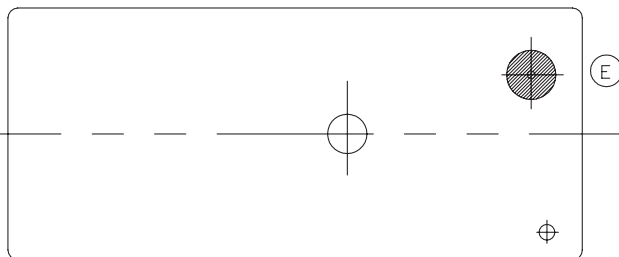
2

1

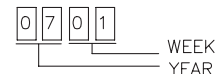
© - TE Connectivity. All Rights Reserved.

REVISIONS

P	LTR	DESCRIPTION	DATE	DWN	APVD
	F	CHANGE BASE MATERIAL TO PBT, DIMENSION CHANGE, CANCEL SEMKO EON-21-111227	15-JUL-21	XR.L	K.T



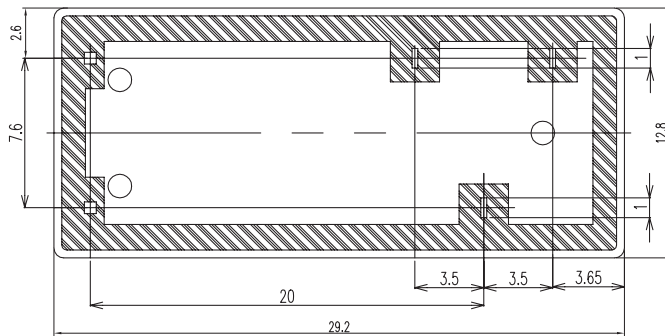
- NOTES:  
 1.-SS-:PLASTIC SEALED TYPE  
 2.LOT NO. SYSTEM AS FOLLOWING:



- 3.GENERAL TOLERANCE AS FOLLOWING:

TOLERANCE	
0~0.99mm	±0.1
1mm~2.99mm	±0.2
3mmMIN.	±0.3

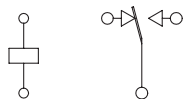
- 4.TERMINAL DIMENSION IS NOT INCLUDING SOLDER TIP.  
 FOR THE TIN-PLATING OF THE PINS:  
 +0.1mm FOR WIDTH,THICKNESS AND DIAMETER.  
 +0.5mm FOR LENGTH.



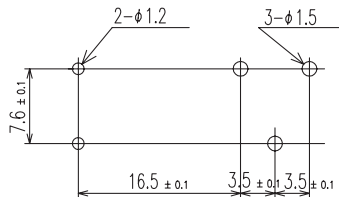
THIS DRAWING IS A CONTROLLED DOCUMENT.		DWN H.SASAKI		<b>TE</b> TE Connectivity	
DIMENSIONS: mm		CHK Y.OIKAWA			
TOLERANCES UNLESS OTHERWISE SPECIFIED:		APVD A.NAGAI		NAME	
0 PLC ± -		PRODUCT SPEC -		OMI-SS-D/LM CUSTOMER DRAWING	
1 PLC ± -		APPLICATION SPEC -		SIZE CAGE CODE DRAWING NO RESTRICTED TO	
2 PLC ± -		WEIGHT -		A3 00779 C=8-1419144-1 -	
3 PLC ± -		CUSTOMER DRAWING		SCALE 1:1 SHEET 1 OF 2 REV F	
4 PLC ANGLES ± -					
FINISH -					

REVISIONS				
P	LTR	DESCRIPTION	DATE	APVD

CONNECTION DIAGRAM (BOTTOM VIEW)



DRILLING DIAGRAM(2/1) (BOTTOM VIEW)



6-1419122-6	OMI-SS-148LM	48V	OMI-SS-148LM
6-1419122-2	OMI-SS-124LM	24V	OMI-SS-124LM
5-1419122-9	OMI-SS-124DM	24V	OMI-SS-124DM
5-1419122-6	OMI-SS-112LM	12V	OMI-SS-112LM
5-1419122-2	OMI-SS-112DM	12V	OMI-SS-112DM
4-1419122-9	OMI-SS-106LM	6V	OMI-SS-106LM
4-1419122-7	OMI-SS-105LM	5V	OMI-SS-105LM
8-1419144-1	OMI-SS-105DM	5V	OMI-SS-105DM
PART NO	TE TYPE NAME	PART B	PART A

RELAY TYPE

		EPOXY RESIN	RESIN	17
UL94 V-0		PBT	CASE	16
		—	TAPE	15
CLASS E		UEW	MAGNETIC WIRE	14
UL94 V-0		PBT	BASE	13
UL94 V-0		PBT	BOBBIN	12
	SOLDER DIP	CP WIRE	COIL TERMINAL	11
UL94 V-0		PPS	CARD	10
		Ag ALLOY	MOVABLE CONTACT	9
		Ag ALLOY	STATIONARY CONTACT	8
		Cu ALLOY	HINGE SPRING	7
	SOLDER DIP	Cu ALLOY	B TERMINAL	6
	SOLDER DIP	Cu ALLOY	M TERMINAL	5
	SOLDER DIP	Cu ALLOY	MOVABLE SPRING	4
		STEEL	CORE	3
		STEEL	ARMATURE	2
		STEEL	YOKE	1
INCOMBUSTIBILITY	TREATMENT	MATERIAL	DESCRIPTION	ITEM

THIS DRAWING IS A CONTROLLED DOCUMENT.		DWN H.SASAKI													
DIMENSIONS: mm		CHK Y.OIKAWA													
TOLERANCES UNLESS OTHERWISE SPECIFIED:		APVD A.NAGAI	NAME OMI-SS-D/LM CUSTOMER DRAWING												
<table border="1"> <tr> <td>0 PLC</td> <td>± -</td> </tr> <tr> <td>1 PLC</td> <td>± -</td> </tr> <tr> <td>2 PLC</td> <td>± -</td> </tr> <tr> <td>3 PLC</td> <td>± -</td> </tr> <tr> <td>4 PLC</td> <td>± -</td> </tr> </table>		0 PLC	± -	1 PLC	± -	2 PLC	± -	3 PLC	± -	4 PLC	± -	PRODUCT SPEC —	DRAWING NO C=8-1419144-1		
0 PLC	± -														
1 PLC	± -														
2 PLC	± -														
3 PLC	± -														
4 PLC	± -														
MATERIAL		APPLICATION SPEC —	SIZE A3	CAGE CODE 00779	RESTRICTED TO —										
FINISH		WEIGHT —	SCALE 1:1 SHEET 2 OF 2 REV F												
CUSTOMER DRAWING															

单击下面可查看定价，库存，交付和生命周期等信息

[>>TE Connectivity\(泰科\)](#)