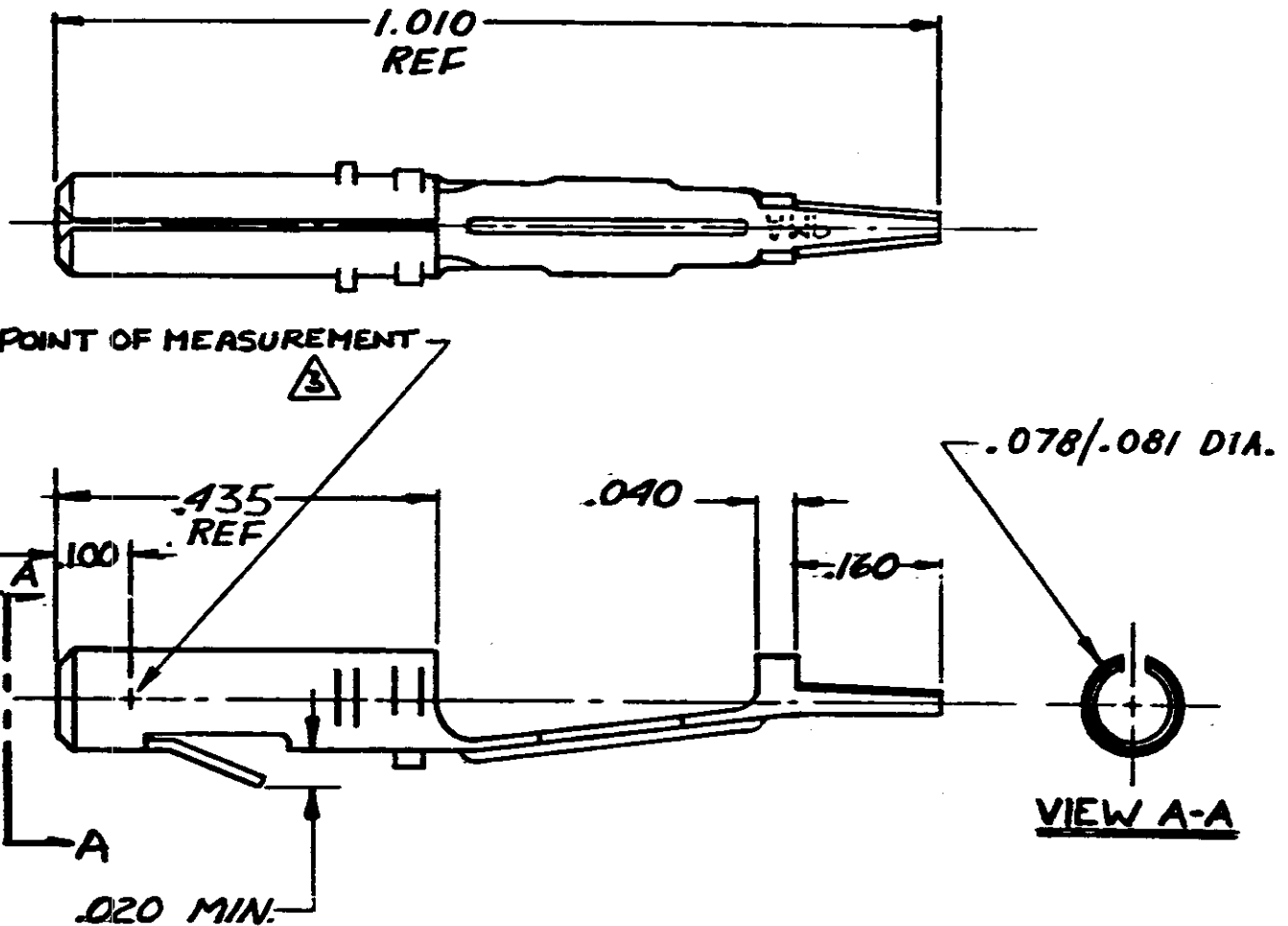


SHEET 1 OF 2  
NUMBER 61320



1. TERMINAL SUPPLIED IN INDIVIDUAL FORM, NOT AS CONTINUOUS STRIP.
2. PARTS COMPLY WITH AMP SOLDERABILITY SPEC. NO. 109-11-3
- $\triangle B$  .000030 GOLD OVER .000050 NICKEL.

$\triangle 4$  OBSOLETE PARTS: OBSOLETE CIS STREAMLINING PER D.RENAUD/D.SINISI

BRIGHT TIN		61320-4
GOLD $\triangle A$	.012 PH. BRZ	61320-2 $\triangle 4$
PRE-TIN		61320-1
FINISH	MATERIAL	PART NO

© 1967 BY AMP INCORPORATED. ALL RIGHTS RESERVED. AMP PRODUCTS COVERED BY PATENTS AND/OR PATENTS PENDING

CUSTOMER COPY REFERENCE ONLY

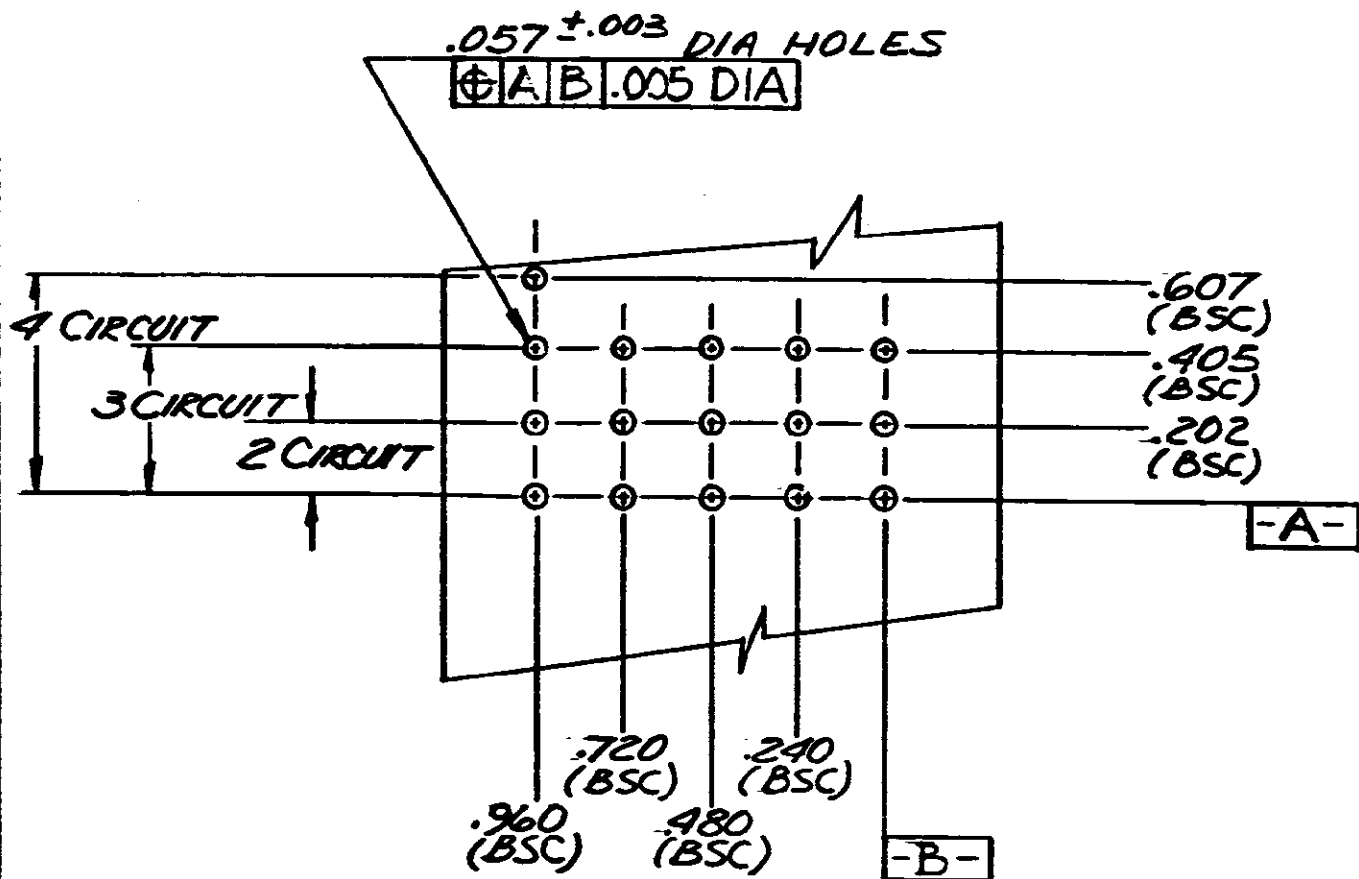
MATERIAL AND FINISH	<b>AMP</b> AMP INCORPORATED WARRINGBURG, PENNA.
SEE TABLE	CLASS _____ * _____

WIRE - RANGE - INSULATION	TYPE	LOC	NO SHEET OF 2	REV
* - * - *	* - *	CM, A	61320	U2
TOLERANCE EXCEPT AS NOTED $\pm .015$	SCALE $\pm 1" = 5 \times 1$	NAME	MATE-N-LOK SOCKET WITH P.C. BOARD TAB	

U2	REV PER ECO-10-000445	KK	HMR	JAN 2010
U1	RESTORED	BD	RS	1/15/85
U	REV PER AG-118			1/2/83
T	REV PER AG-25			11/1/82
S	ECN M-7426			6/16/83
R	SMT1 REV. & REDOWN	M-7310	DA	1/15/82
-TR	REVIS. C. RECORD	DN	CHK	DATE
DR	4-15-83	DS		
D.B. SATZEL		M.E. TRAVIS		1/21
53				

DIMENSIONS IN INCHES. DO NOT SCALE PRINT.

SHEET 2 OF 2  
NUMBER 61320



1. FOR 3, 4, 6, 9, 12, AND 15 CIRCUIT PANEL MOUNT HOUSINGS ONLY.

DIMENSIONS IN INCHES. DO NOT SCALE PRINT.

©1968 BY AMP INCORPORATED. ALL RIGHTS RESERVED. AMP PRODUCTS COVERED BY PATENTS AND/OR PATENTS PENDING

CUSTOMER COPY REFERENCE ONLY

MATERIAL AND FINISH



AMP INCORPORATED  
HARRISBURG, PENNSA

CLASS

WIRE — RANGE — INSULATION

TYPE

LTR REVISION RECORD ECN DR DATE

TOLERANCE EXCEPT AS NOTED  
 ± .015 ± 1' 0'

SCALE  
 2-1

LOC  
 CM A

NO SHEET 2 OF 2  
 61320

REV  
 U2

DR JIM KUNKLE  
 6-2-70

APPROVED  
 Jim Kunkle 6-4-70

NAME RECOMMENDED HOLE LOCATIONS FOR MOUNTING MATE-N-LOK HOUSINGS

单击下面可查看定价，库存，交付和生命周期等信息

[>>TE Connectivity\(泰科\)](#)