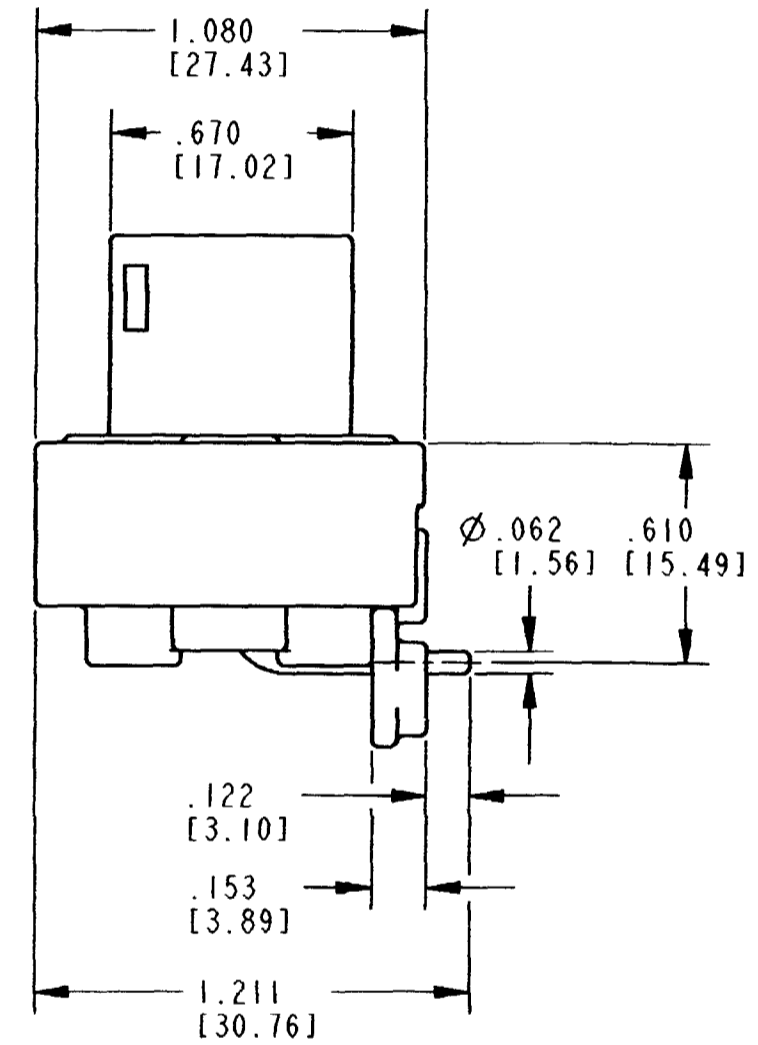
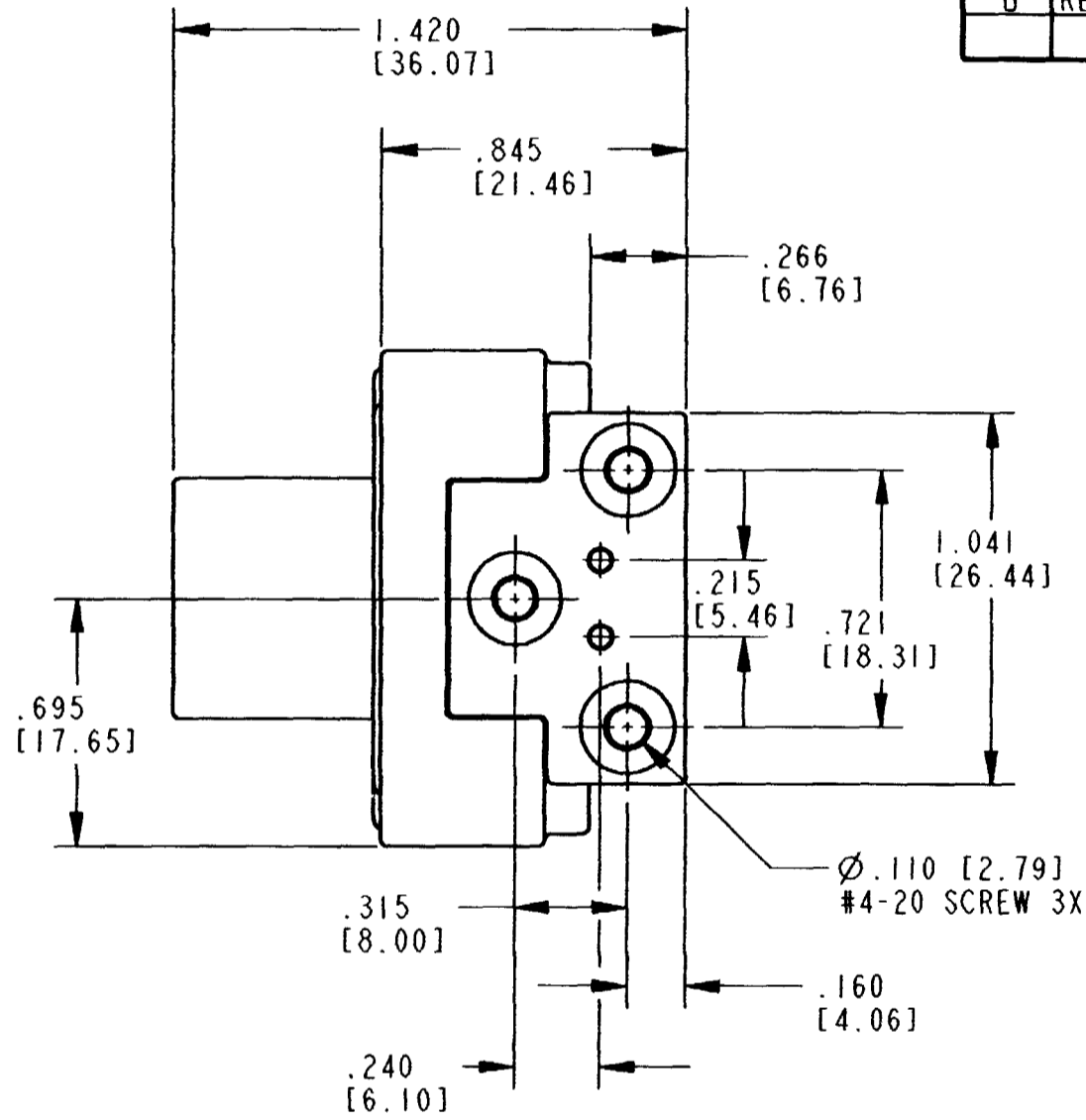
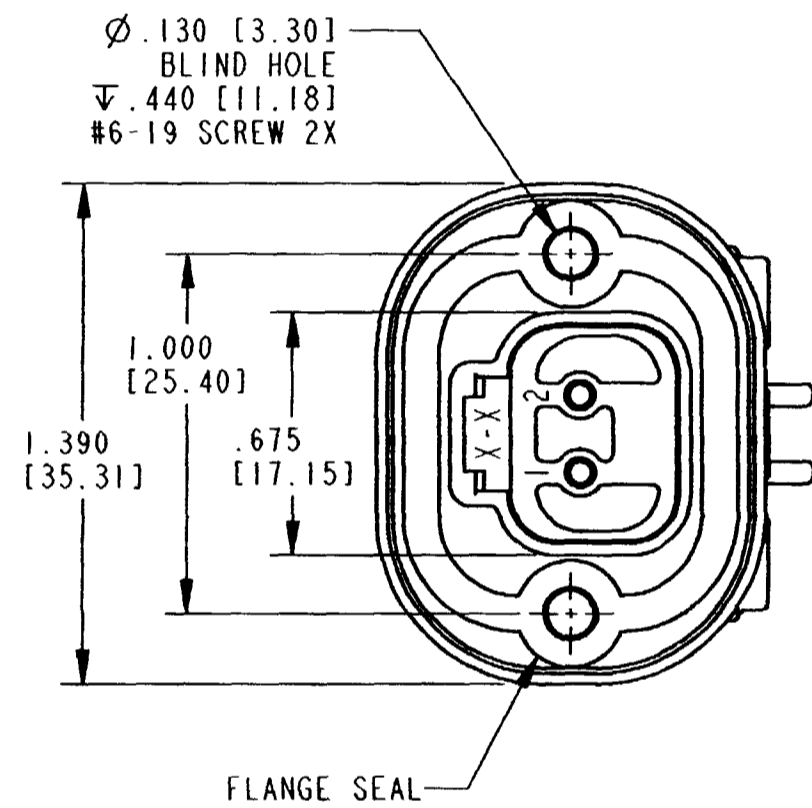


REV
B DT13-2P

REVISIONS			
SYM	DESCRIPTION	DATE	APPROVED
NC	NEW RELEASE PER E.O. A13637	7/15/93	J.A.
A	REVISED AND REDRAWN PER E.O. P17444	1/9/02	R.D.R.
B	REVISED PER E.O. P19404	11-20-06	RDR



6. MOUNTING SCREW TORQUE VALUES ARE AS FOLLOWS:
 #6-19 SCREWS: 13 ± 2.0 IN-LB [1.47 ± 0.23 N-M].
 #4-20 SCREWS: 8 ± 2.0 IN-LB [0.90 ± 0.23 N-M].
 VALUES VALID FOR PLASTITE 48 SCREWS ONLY.

5. RECOMMENDED MOUNTING SCREWS (NOT INCLUDED): CAMCAR PLASTITE 48.
 4. THIS RECEPTACLE MATES WITH DT06-2S-**** PLUG (**** = ALL MODIFICATIONS.)
 3. SHELL MATERIAL: PLASTIC; FLANGE SEAL MATERIAL: RUBBER.
 2. DIMENSION TOLERANCE: $\pm .025$ [.64], PANEL CUTOUT $\pm .010$ [.25].

NOTES: 1. DIMENSIONS ARE IN INCHES [mm].

SIGNATURE & DATE	
DR	P. BURKE 01/04/02
CHK	<i>[Signature]</i> 11/20/06
PE	<i>[Signature]</i> 11/20/06
APPD	<i>[Signature]</i> 11-20-06
SCALE	NONE WT

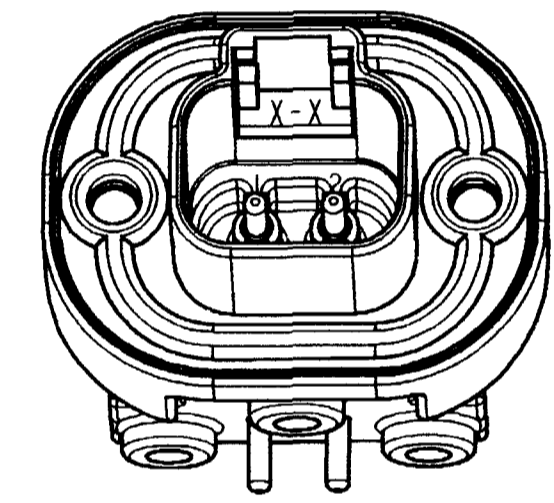
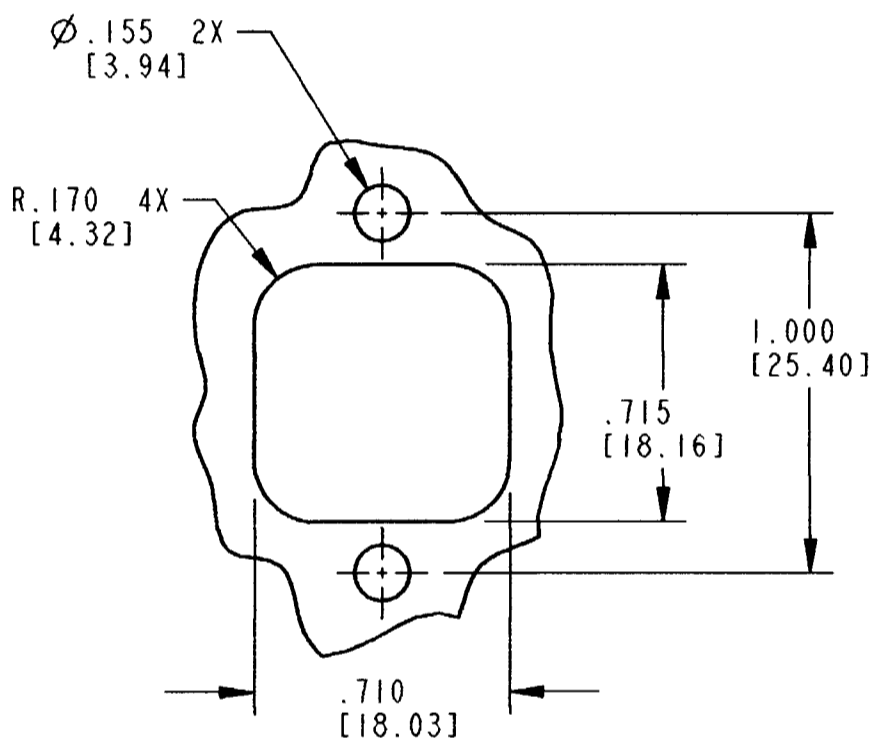
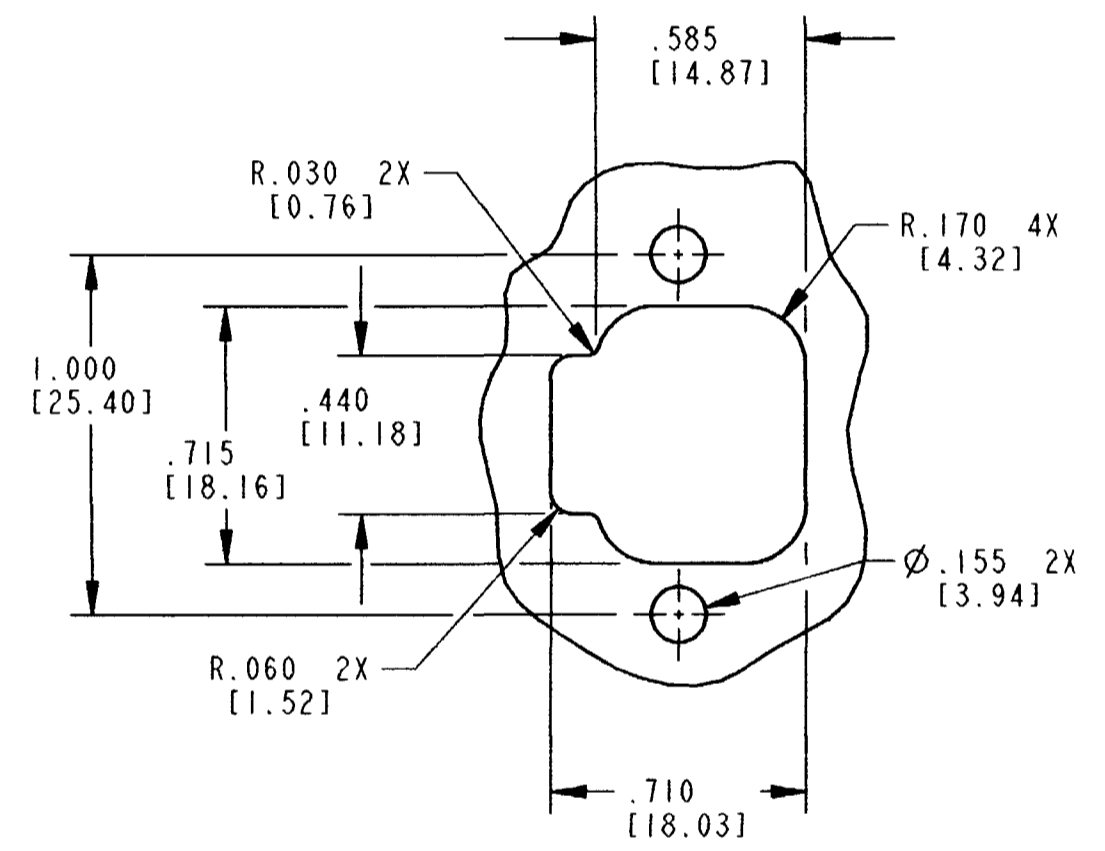
PCB MOUNT RECEPTACLE
 2 PIN 90°
 DT SERIES
 COLOR: GRAY

ENVELOPE

MATERIAL CODE	
EP	
The Deutch Company DEUTSCH I.P.D. 3850 INDUSTRIAL AVE. HEMET, CALIF. 92545	
B DT13-2P	
DWG SIZE	CODE 11139 SHEET 1 OF 2

REV
B DT13-2P

REVISIONS			
SYM	DESCRIPTION	DATE	APPROVED
B	SEE SHEET ONE	11-20-06	RDL



3D VIEW

RECOMMENDED PANEL CUTOUTS

NOTES:

SIGNATURE & DATE		PCB MOUNT RECEPTACLE 2 PIN 90° DT SERIES COLOR: GRAY	EP	MATL. CODE
DR	P. BURKE 01/04/02		The Deutsch Company	
CHK	[Signature] 11/13/06		DEUTSCH I.P.D. 3850 INDUSTRIAL AVE. HEMET, CALIF. 92545	
PE	[Signature] 11-2-06		B	DT13-2P
APPD	[Signature] 11-7-06		DWG SIZE	CODE 11139 SHEET 2 OF 2
SCALE	NONE WT	ENVELOPE		

单击下面可查看定价，库存，交付和生命周期等信息

[>>TE Connectivity\(泰科\)](#)