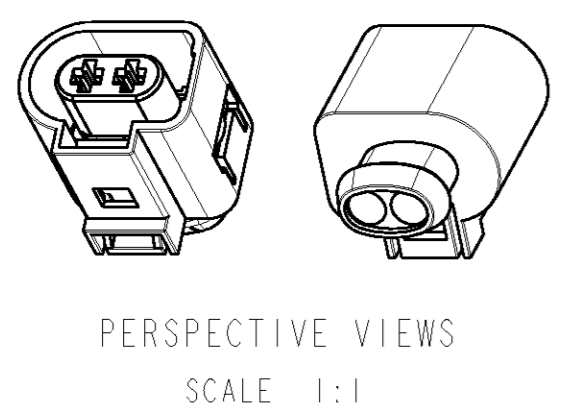
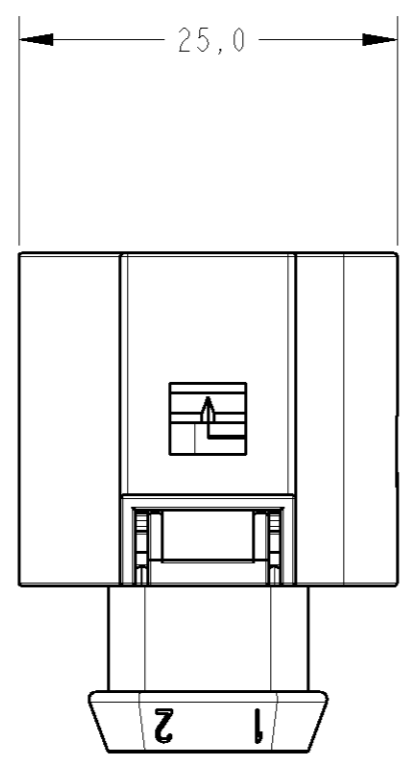
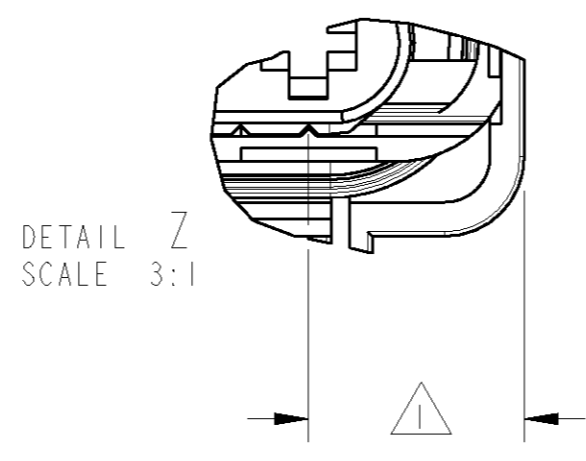
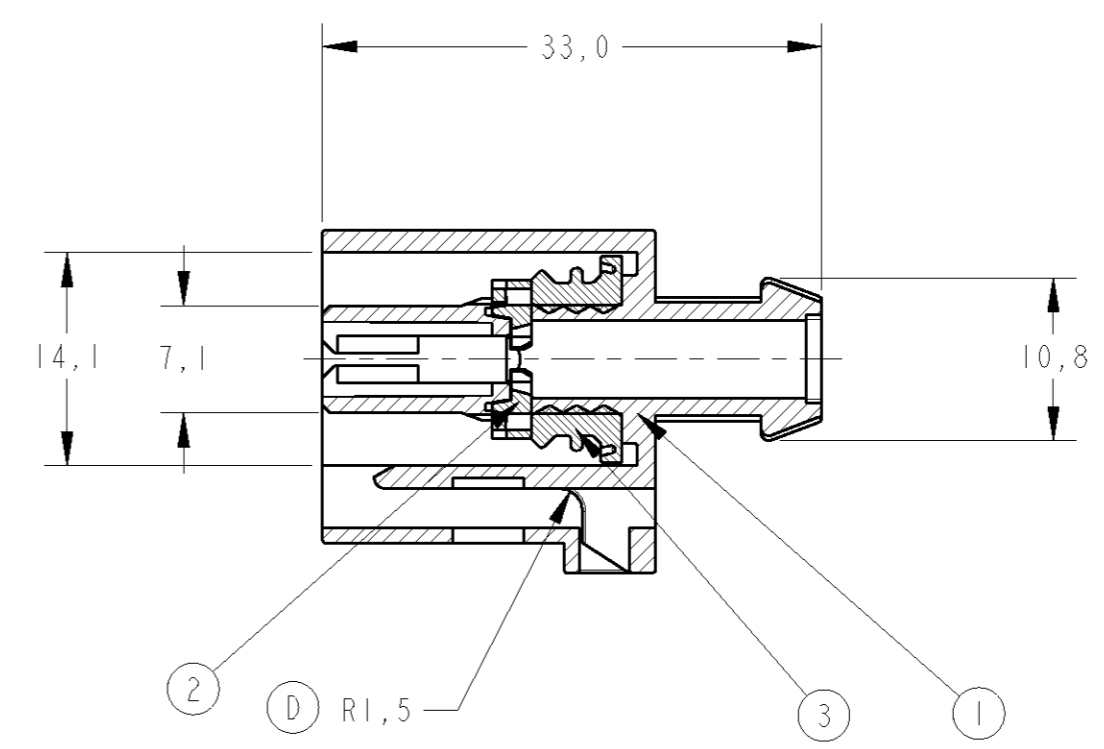
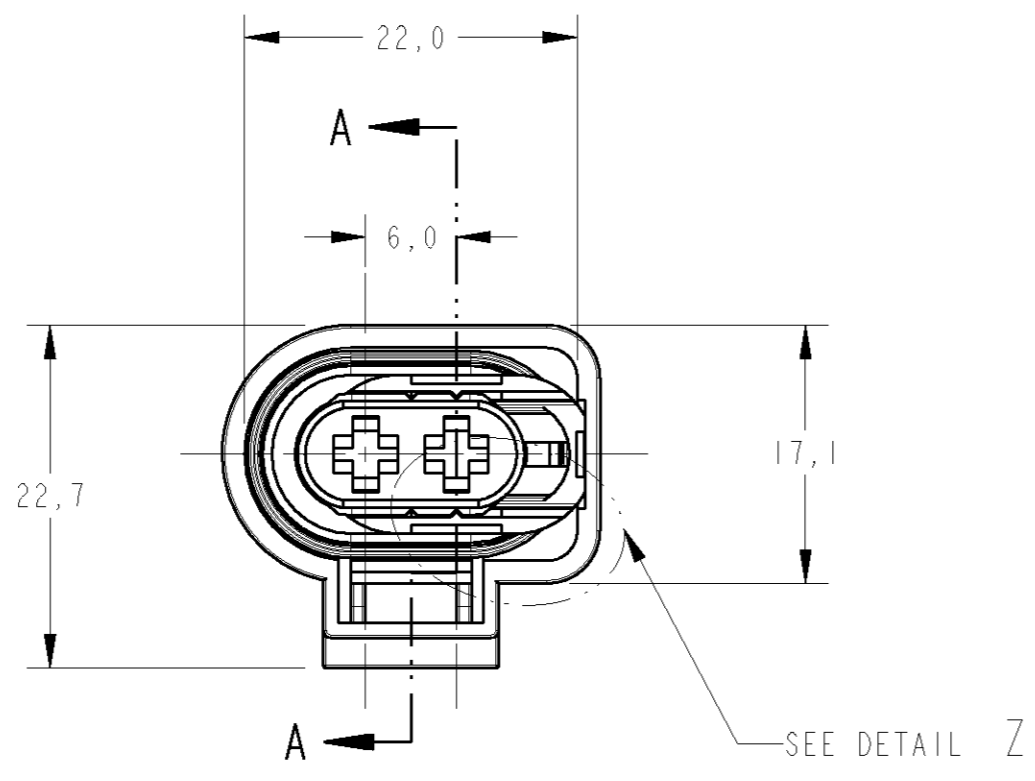


THIS DRAWING IS UNPUBLISHED. RELEASED FOR PUBLICATION 20
 © COPYRIGHT 20 BY TYCO ELECTRONICS CORPORATION. ALL RIGHTS RESERVED.

LOC	DIST	REVISIONS					
AP	-	P	LTR	DESCRIPTION	DATE	DWN	APVD
		D		REVISED BY EC-211/03	16SEP2003	EJGS	PLF
		E		REVISED BY EC-161/04	12APR2004	NCL	PLF
		F		UP DATE EC-239/04	27APR04	NCL	PLF

CAD
DO NOT REVISE
EXCEPT BY CAD



GRAVAÇÃO	MARKING
LOGOTIPO AMP	AMP LOGO
CÓDIGO PAÍS PRODUTOR	MANUFACTURER COUNTRY CODE
NOMENCLATURA MATERIAL	MATERIAL NOMENCLATURE
NÚMERO COMPONENTE AMP	AMP COMPONENT NUMBER
NÚMERO CAVIDADE	CAVITY NUMBER
IDENTIFICAÇÃO CIRCUITO	CIRCUIT IDENTIFICATION

△ - O CONJUNTO DEVE SER FORNECIDO COM O SPACER NA CONDIÇÃO DE PRÉ TRAVA.

△ - THE ASSEMBLY MUST BE SUPPLIED WITH SPACER IN PRE LOCKED CONDITION.

REQ. PER ASSY	ITEM	DESCRIPTION	MATERIAL	FINISH
	3	SEAL 2 POSN. JUNIOR P. TIMER	SILICONE	LARANJA / ORANGE
	2	SPACER 2 POSN. JUNIOR P. TIMER	PBT +10% FV / GF	VIOLETA / VIOLET
	1	HOUSING 2 POSN. JUNIOR P. TIMER	PBT	PRETO / BLACK
493989	-1	ITEM		

THIS DRAWING IS A CONTROLLED DOCUMENT FOR TYCO ELECTRONICS CORPORATION. IT IS SUBJECT TO CHANGE AND THE CONTROLLING ENGINEERING ORGANIZATION SHOULD BE CONTACTED FOR THE LATEST REVISION.		DWN P. L. FARIA 27JAN00	TYCO ELECTRONICS do Brasil LTDA. São Paulo - Brasil	
DIMENSIONS: mm		CHK M. L. OGAWA 27JAN00	NAME HOUSING ASSY., 2 POSN., JUNIOR POWER TIMER	
TOLERANCES UNLESS OTHERWISE SPECIFIED: 0 PLC ± 1 PLC ±0,3 2 PLC ± 3 PLC ± 4 PLC ±		APVD E. ALEXANDRONI 27JAN00		
MATERIAL SEE TABLE		PRODUCT SPEC -	SIZE A2	CAGE CODE 00779
FINISH SEE TABLE		APPLICATION SPEC -	DRAWING NO G-493989	RESTRICTED TO - / -
		WEIGHT -	CUSTOMER DRAWING	
		ANGLES ±0° 30'	SCALE 2:1	SHEET 1 OF 1
		FINISH	REV F	

单击下面可查看定价，库存，交付和生命周期等信息

[>>TE Connectivity\(泰科\)](#)