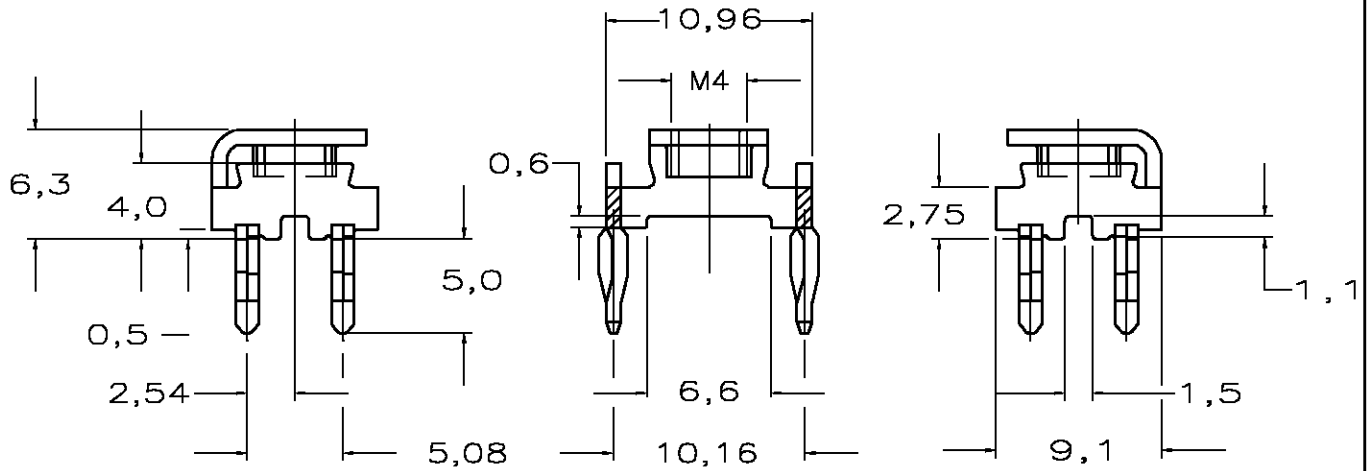
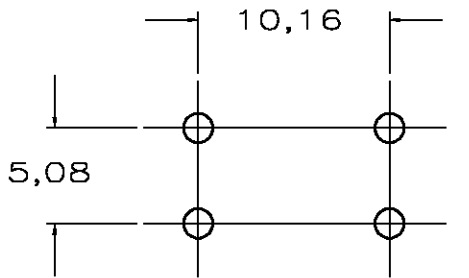


| | | | | | |
|----------|-----------|---------------|---------|-----|------|
| LOC H | DIST — | REVISIONS | | | |
| P | LTR | DESCRIPTION | DATE | DWN | APVD |
| | C | ECR-05-006211 | 13JUL05 | CJF | JB |



NOTES :

- 1 PLATING: Sn PLATE TO ASTM B 545 AND NI UNDERCOAT TO ASTM B 571 ALL OVER
- 2 MATERIAL THICKNESS 0,8 mm .


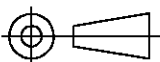


RECOMMENDED BOARD LAYOUT

THIS DRAWING IS UNPUBLISHED.

ALL RIGHTS RESERVED.

COPYRIGHT © BY TYCO ELECTRONICS CORPORATION.

| | | | | | |
|---|--|-------------------------------|---|--------------------|------------------------|
| DIMENSIONS: MM | | DWN S.MEEUWSEN 13FEB90 | MATERIAL — | PHOSPHORBRONZE | 216906-1 |
| TOLERANCES UNLESS OTHERWISE SPECIFIED: | | CHK R.V.LOKVEN 03APR90 | FINISH — | MATERIAL | PART NUMBER |
| 0 PLC ± - | | APVD L.V. SOEST 03APR90 |  Tyco Electronics Corporation s-Hertogenbosch, Nederland, | | |
| 1 PLC ± - | | PRODUCT SPEC 108-19059 | | | |
| 2 PLC ± - | | APPLICATION SPEC — | SIZE A4 | CAGE CODE 00779 | DRAWING NO C-216906 |
| 3 PLC ± - | | WEIGHT — | RESTRICTED TO — | | |
| 4 PLC ± - | | CUSTOMER DRAWING | | | |
| ANGLES ± - | | SCALE 1:1 | | | SHEET 1 OF 1 |
|  | | REV C | | | |

单击下面可查看定价，库存，交付和生命周期等信息

[>>TE Connectivity\(泰科\)](#)