

THIS DRAWING IS UNPUBLISHED. RELEASED FOR PUBLICATION AUG ,2006. COPYRIGHT - BY TYCO ELECTRONICS CORPORATION. ALL RIGHTS RESERVED.

Table with columns: LOC (DW), DIST, REVISIONS (P, LTR, DESCRIPTION, DATE, DWN, APVD). Revision G: REVISED PER ECR-16-003830, 14MAR16, FL, SY.

Main table for GEN II & GEN III PA9T. Columns: WEIGHT(g), PCI-E COMPLIANCE, HOUSING MATERIAL, DIM. L, DIM. E, DIM. D, DIM. C, DIM. B, DIM. A, POS., HOUSING COLOR, MIN. GOLD THICKNESS, PART NUMBER. Rows include dimensions like 8.7, 5.45, 3.85, 2.55, 71.35, 70, 73.15, 89, 71.65, 164.

Main table for GEN II PA46. Columns: WEIGHT(g), PCI-E COMPLIANCE, HOUSING MATERIAL, DIM. L, DIM. E, DIM. D, DIM. C, DIM. B, DIM. A, POS., HOUSING COLOR, MIN. GOLD THICKNESS, PART NUMBER. Rows include dimensions like 8.8, 5.5, 3.9, 2.55, 71.35, 70, 73.15, 89, 71.65, 164.

Controlled document information including: THIS DRAWING IS A CONTROLLED DOCUMENT, DIMENSIONS (MM), TOLERANCES (PLC, ANGLES), MATERIAL, FINISH, WEIGHT, CUSTOMER DRAWING, DWN (B. HSING), CHK (S. CHIEN), APVD (W. KODAMA), PRODUCT SPEC (108-57871), APPLICATION SPEC, NAME, PCI EXPRESS CARD EDGE CONNECTOR VERTICAL, DIP TYPE, 3GIO, SIZE (A3), CAGE CODE (00779), DRAWING NO (1734774), RESTRICTED TO, SCALE, SHEET (1 OF 5), REV (G).

4

3

2

1

THIS DRAWING IS UNPUBLISHED. RELEASED FOR PUBLICATION AUG ,2006.
 © COPYRIGHT BY TYCO ELECTRONICS CORPORATION. ALL RIGHTS RESERVED.

| LOC | DIST | REVISIONS | | | |
|-----|------|-------------|------|-----|------|
| P | LTR | DESCRIPTION | DATE | DWN | APVD |
| DW | | SEE SHEET 1 | - | - | - |

NOTES:

- MATERIAL:
 - HOUSING: 1.PA46 WITH 40% G.F, UL94 V-0, COLOR: SEE TABLE.
2.PA9T WITH 30% GF, UL94 V-0, COLOR: SEE TABLE.
 - CONTACT: PHOSPHOR BRONZE
- FINISH:

CONTACT: (SEE TABLE) GOLD PLATING ON CONTACT AREA.
2.54um [100u"] MIN. MATTE-TIN PALTING ON SOLDER TAIL AREA.
1.27um [50u"] MIN. NICKEL UNDERPLATING OVERALL.
- CONNECTOR HAS MET THE REQUIREMENTS PER PCI EXPRESS GEN 2 TECHNICAL DOCUMENT.
- WEIGHT:

36 POS.: 2.55 GRAMS; 64 POS.: 3.90 GRAMS
98 POS.: 5.50 GRAMS; 164 POS.: 8.80 GRAMS
- WAVE SOLDER CAPABLE TO 265°C PER TEST SPEC. 109-202 CONDITION B.
 ⚠️ REFLOW SOLDER CAPABLE TO 260°C PER TEST SPEC. 109-201 CONDITION B.
 (REFLOW SOLDERING PLEASE USE PN : 1734774-1 TO 4-1734774-8)

Top view of the connector showing dimensions and pin locations. Key dimensions include: 1.78±0.05 KEY, 1.50, 1.50, 1.00 PITCH, 7.40, 10.00, 11.65, 14.50, DIM. D, DIM. A, DIM. B. Pin locations are labeled PIN A1, PIN A12, PIN A"D+12", PIN B1, PIN B12, and PIN B"D+12".

Side view of the connector showing dimensions and LOGO & DATE CODE. Dimensions include: (8.8), 5.10, 3.70, 3.55, 0.80, 1.40, 7.40, DIM. L. The LOGO & DATE CODE is located on the top surface.

Bottom view of the connector showing dimensions and key details. Dimensions include: 0.34±0.1, 1.65, 1.35, 11.65, (DIM. E), DIM. C, 1.00 STAND-OFF, 4.40 2PLC. Key details include: Ø OF KEY, 0.15, 1.50 TYP, A, and 1.00 PITCH.

Cross-section A-A of the connector showing dimensions and scale. Dimensions include: 4.05, 3.40, 4.40, 0.25±0.1, 1.25, 3.25, 3.25. Scale: A-A SCALE 2:1. The drawing is labeled "ACCEPTED 1.57 PCB".

Front view of the connector showing dimensions and pin locations. Dimensions include: ø2.05±0.08, ø2.20±0.08. Pin locations are labeled PIN B1, PIN B"D+12", PIN A1, and PIN A"D+12".

| | | | | | |
|--|----------|------------------|--|-----------|------------|
| THIS DRAWING IS A CONTROLLED DOCUMENT. | | DWN | TE Connectivity | | |
| DIMENSIONS: MM | | CHK | NAME | | |
| TOLERANCES UNLESS OTHERWISE SPECIFIED: | | APVD | PCI EXPRESS CARD EDGE CONNECTOR VERTICAL, DIP TYPE, 3GIO | | |
| 0 PLC ± - | | PRODUCT SPEC | SIZE | CAGE CODE | DRAWING NO |
| 1 PLC ± 0.3 | | APPLICATION SPEC | A3 | 00779 | 1734774 |
| 2 PLC ± 0.2 | | WEIGHT | RESTRICTED TO | | |
| 3 PLC ± 0.15 | | SEE NOTE 4 | - | | |
| 4 PLC ± - | | CUSTOMER DRAWING | SCALE | SHEET | REV |
| ANGLES ± 3' | | | - | 2 OF 5 | G |
| MATERIAL | FINISH | | | | |
| SEE NOTE | SEE NOTE | | | | |

AMP 1470-19 REV 31MAR2000

Downloaded From Oneyac.com

4

3

2

1

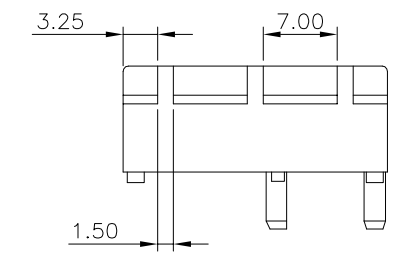
THIS DRAWING IS UNPUBLISHED. RELEASED FOR PUBLICATION AUG ,2006.
 © COPYRIGHT BY TYCO ELECTRONICS CORPORATION. ALL RIGHTS RESERVED.

| LOC | DIST | REVISIONS | | | |
|-----|------|--------------|------|-----|------|
| P | LTR | DESCRIPTION | DATE | DWN | APVD |
| DW | | SEE SHEET 1. | | | |



PN X-1 TO 4-X-8
(PA9T TYPE)

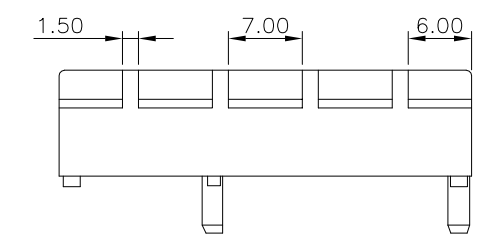
36 POS.



PN 5-X-0 TO 9-X-7
(PA46 TYPE)



64 POS.



98 POS.



164 POS.



| | | | | | | |
|--|--|------------------|---|-----------|------------|---------------|
| THIS DRAWING IS A CONTROLLED DOCUMENT. | | DWN | TE Connectivity | | | |
| DIMENSIONS: MM | | CHK | NAME | | | |
| TOLERANCES UNLESS OTHERWISE SPECIFIED: 0 PLC ± - 1 PLC ± 0.25 2 PLC ± 0.25 3 PLC ± 0.25 4 PLC ± - ANGLES ± - | | APVD | PCI EXPRESS CARD EDGE CONNECTOR VERTICAL, DIP TYPE, 3GIO | | | |
| MATERIAL | | PRODUCT SPEC | SIZE | CAGE CODE | DRAWING NO | RESTRICTED TO |
| FINISH | | APPLICATION SPEC | A3 | 00779 | C=1734774 | |
| | | WEIGHT | CUSTOMER DRAWING | | SCALE | SHEET 3 OF 5 |
| | | | | | | REV G |

THIS DRAWING IS UNPUBLISHED. RELEASED FOR PUBLICATION AUG ,2006.
 © COPYRIGHT BY TYCO ELECTRONICS CORPORATION. ALL RIGHTS RESERVED.

| LOC | DIST | REVISIONS | | | |
|-----|------|--------------|------|-----|------|
| P | LTR | DESCRIPTION | DATE | DWN | APVD |
| DW | | SEE SHEET 1. | | | |

ADD-IN CARD EDGE-FINGER DIMENSIONS

NOTES:
 CHAMFER EDGE MUST BE FREE OF CUTTING BURRS



RECOMMENDED PCB LAYOUT

TOLERANCE: ±0.05
 FOR DIM.L=3.1mm PCB THICKNESS: 2.4mm
 FOR DIM.L=2.3mm PCB THICKNESS: 1.6mm

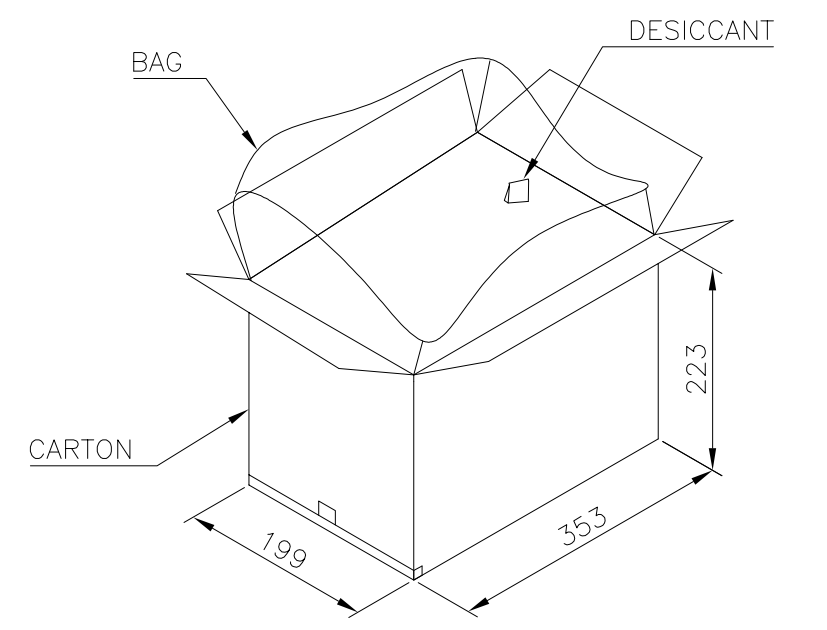
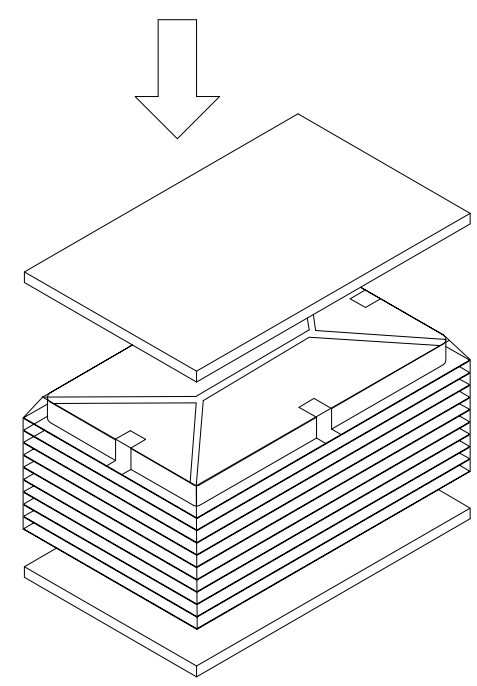


| POS. | DIM. F | DIM. G | DIM. H | "K" |
|------|--------|--------|--------|------------------------|
| 164 | 70.0 | 73.15 | 72.15 | A1, B17, B31, B48, B81 |
| 98 | 37.0 | 40.15 | 39.15 | A1, B17, B31, B48 |
| 64 | 20.0 | 23.15 | 22.15 | A1, B17, B31 |
| 36 | 6.0 | 9.15 | 8.15 | A1, B17 |

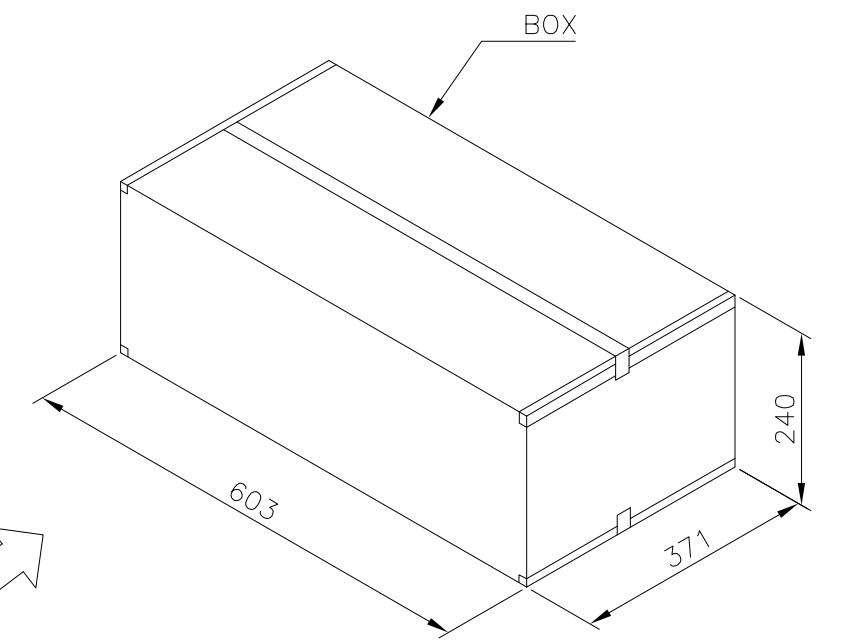
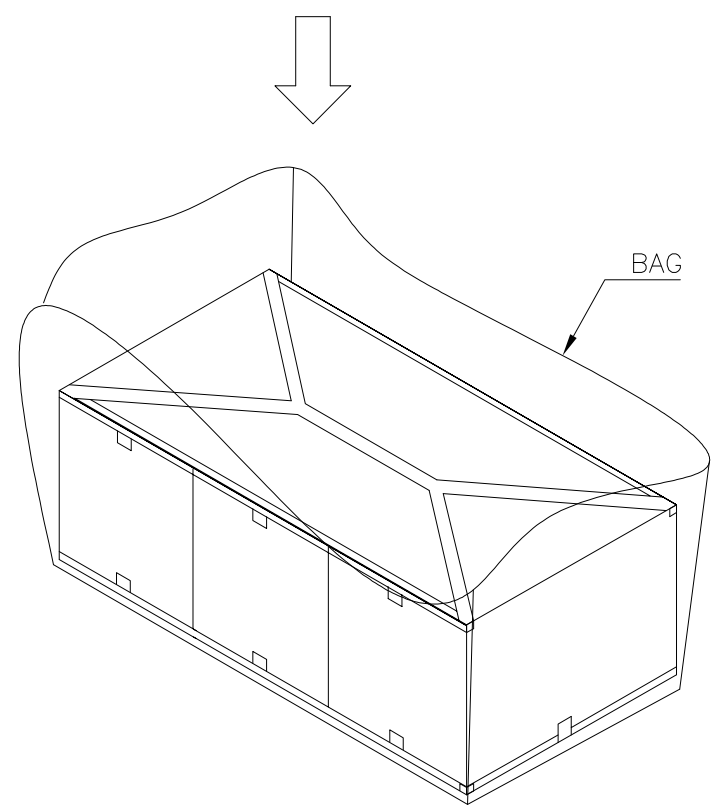
| | | | | | |
|---|--|--------------|--|--|--|
| THIS DRAWING IS A CONTROLLED DOCUMENT. | | DWN | | | |
| DIMENSIONS: MM | | CHK | | | |
| TOLERANCES UNLESS OTHERWISE SPECIFIED: | | APVD | | NAME | |
| 0 PLC ± - 1 PLC ± - 2 PLC ± - 3 PLC ± - 4 PLC ± - ANGLES ± - | | PRODUCT SPEC | | PCI EXPRESS CARD EDGE CONNECTOR VERTICAL, DIP TYPE, 3GIO | |
| MATERIAL | | FINISH | | SIZE | |
| | | | | CAGE CODE | |
| | | | | DRAWING NO | |
| | | | | RESTRICTED TO | |
| | | | | A3 00779 C=1734774 | |
| | | | | WEIGHT | |
| | | | | CUSTOMER DRAWING | |
| | | | | SCALE | |
| | | | | SHEET 4 of 5 | |
| | | | | REV G | |

THIS DRAWING IS UNPUBLISHED. RELEASED FOR PUBLICATION AUG ,2006.
 © COPYRIGHT BY TYCO ELECTRONICS CORPORATION. ALL RIGHTS RESERVED.

| LOC | DIST | REVISIONS | | | | | |
|-----|------|-----------|-----|--------------|------|-----|------|
| DW | | P | LTR | DESCRIPTION | DATE | DWN | APVD |
| | | | | SEE SHEET 1. | | | |



- NOTES :
- MATERIAL :
 TRAY : PVC, COLOR: TRANSPARENT.
 CARTON: CORRUGATED FIBER
 BOX: CORRUGATED FIBER
 - DIMENSION :
 TRAY: SEE DRAWING
 CARTON: SEE DRAWING
 BOX : SEE DRAWING
 - QUANTITY : SEE TABLE
 - WEIGHT : SEE TABLE



| 10.2 Kg | 8.2 Kg | 30 | 10 | 3 | 900 | 164 |
|--------------|------------|-----------|--------------|-------------|----------|------|
| 9.0 Kg | 7.0 Kg | 40 | 10 | 3 | 1200 | 98 |
| 8.5 Kg | 6.5 Kg | 60 | 10 | 3 | 1800 | 64 |
| 7.6 Kg | 5.6 Kg | 70 | 10 | 3 | 2100 | 36 |
| GROSS WEIGHT | NET WEIGHT | PCS/ TRAY | TRAY/ CARTON | CARTON/ BOX | PCS/ BOX | POS. |

| | | | | | | |
|--|--|------------------|--|-----------|------------|---------------|
| THIS DRAWING IS A CONTROLLED DOCUMENT. | | DWN | STE TE Connectivity | | | |
| DIMENSIONS: MM | | CHK | | | | |
| TOLERANCES UNLESS OTHERWISE SPECIFIED: | | APVD | NAME | | | |
| 0 PLC ± - | | PRODUCT SPEC | PCI EXPRESS CARD EDGE CONNECTOR VERTICAL, DIP TYPE, 3GIO | | | |
| 1 PLC ± - | | APPLICATION SPEC | SIZE | CAGE CODE | DRAWING NO | RESTRICTED TO |
| 2 PLC ± - | | WEIGHT | A3 | 00779 | C=1734774 | |
| 3 PLC ± - | | CUSTOMER DRAWING | SCALE | SHEET | REV | |
| 4 PLC ± - | | | | 5 of 5 | G | |
| ANGLES ± - | | | | | | |
| MATERIAL | | | | | | |
| FINISH | | | | | | |

单击下面可查看定价，库存，交付和生命周期等信息

[>>TE Connectivity\(泰科\)](#)