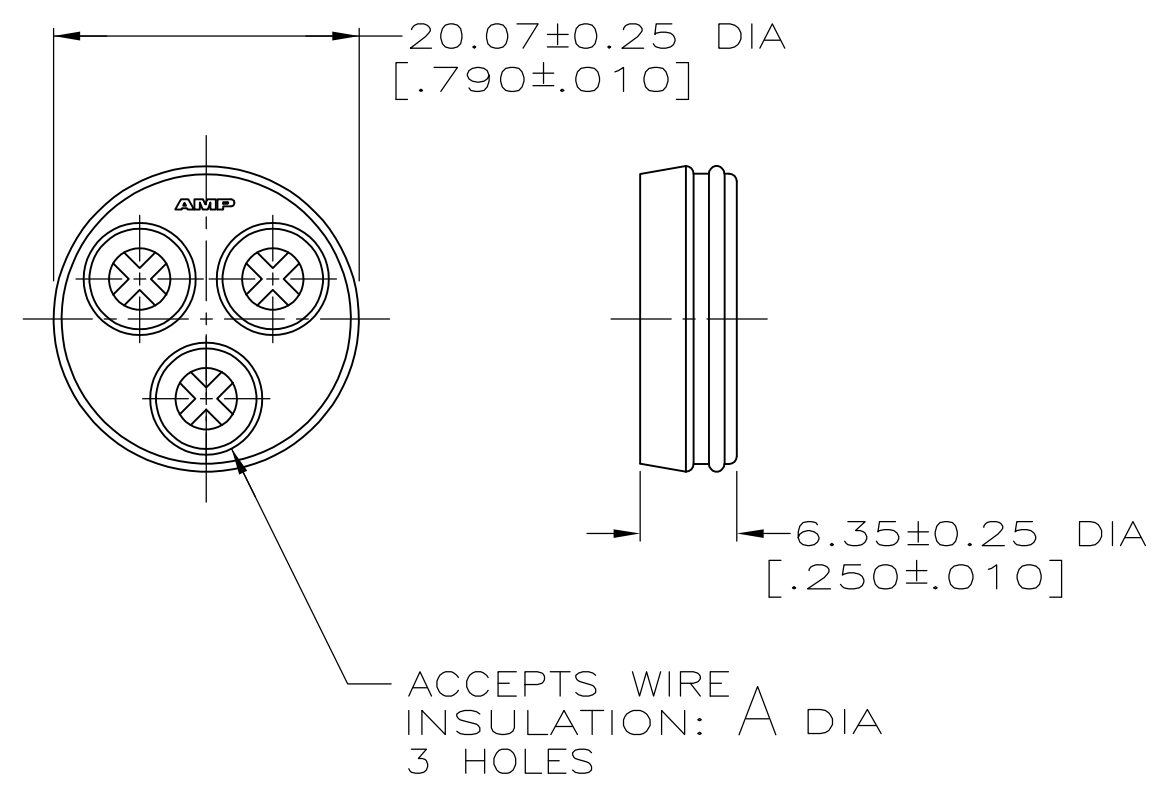
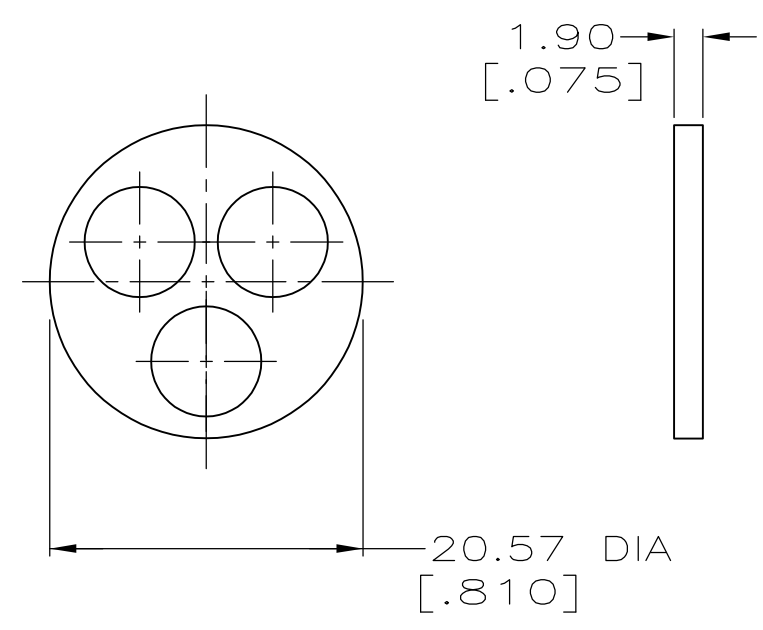


THIS DRAWING IS UNPUBLISHED. RELEASED FOR PUBLICATION  
 © COPYRIGHT - By - ALL RIGHTS RESERVED.

REVISIONS				
P	LTR	DESCRIPTION	DATE	APVD
	C2	REVISED PER ECO-16-004800	08SEP2016	NK MZ



SEAL MATERIAL: SILICON, RED IRON OXIDE  
 QTY=1



PRESSURE PLATE MATERIAL: NYLON, BLACK  
 QTY=1

1 OBSOLETE PARTS: OBSOLETE CIS STREAMLINING PER D.RENAUD/D.SINISI

1	OBSOLETE	INDIVIDUAL	2.41-5.21 [.095-.205]	<del>213899-5</del>
	OBSOLETE	-	-	<del>213899-4</del>
	OBSOLETE	-	-	<del>213899-3</del>
	OBSOLETE	BULK	3.81-6.73 [.150-.265]	<del>213899-2</del>
		INDIVIDUAL	3.81-6.73 [.150-.265]	213899-1
		PACKAGING	A	PART NUMBER

THIS DRAWING IS A CONTROLLED DOCUMENT.		DWN D.HARDY 07/12/95	TE Connectivity				
DIMENSIONS: mm [INCHES]		CHK R.STONE 07/13/95					
TOLERANCES UNLESS OTHERWISE SPECIFIED:		APVD A.FRANTUM 07/13/95	NAME				
0 PLC ± - 1 PLC ± - 2 PLC ± 0.13 [.005] 3 PLC ± - 4 PLC ± - ANGLES ± -		PRODUCT SPEC 108-1579	SEAL ASSEMBLY KIT, SERIES 5, 17-3, CPC				
MATERIAL SEE CALLOUTS		FINISH -	APPLICATION SPEC -	SIZE A3	CAGE CODE 00779	DRAWING NO C-213899	RESTRICTED TO -
CUSTOMER DRAWING			WEIGHT	SCALE 2:1	SHEET 1 OF 1	REV C2	

单击下面可查看定价，库存，交付和生命周期等信息

[>>TE Connectivity\(泰科\)](#)