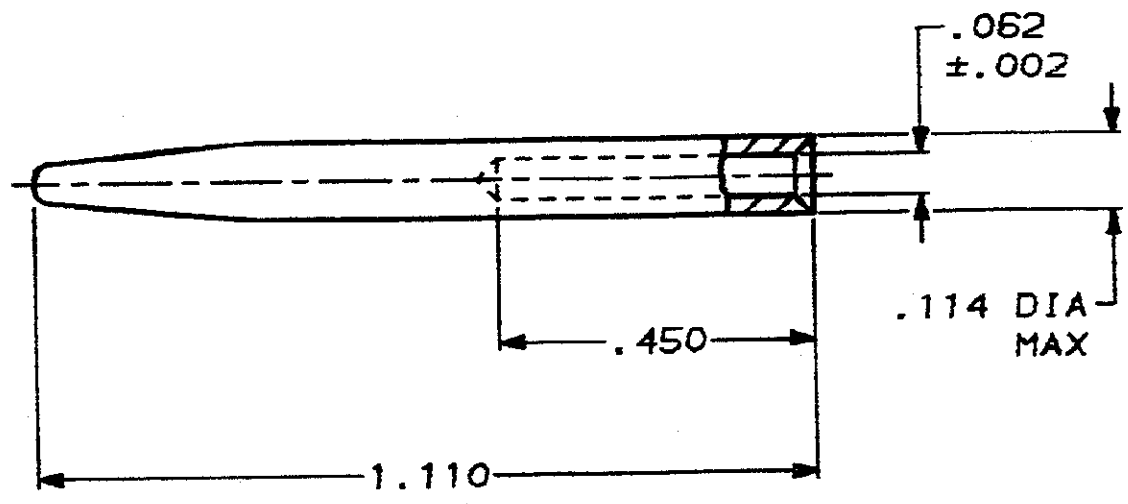


DRAWING MADE IN THIRD ANGLE PROJECTION

| MOD | LOC | DIST | P | F | LTR | DESCRIPTION | DATE | APPROVED |
|-----|-----|------|---|---|-----|-------------|---------|----------|
| 23 | BD | 39 | | | B | REDRAWN | 7/28/90 | KCB |

THIS DRAWING IS UNPUBLISHED. RELEASED FOR PUBLICATION BY AMP INCORPORATED. ALL INTERNATIONAL RIGHTS RESERVED. © COPYRIGHT 19



208337-1
PART NO

DO NOT SCALE PRINT. UNLESS SPECIFIED DIMENSIONS IN TOLERANCES ON: UN PLG DEC ± .015 ANGLES ±

MATERIAL
COLOR: TEFLON NATURAL

FINISH

DR 7/28/90
A. STALE BS

CHK *[Signature]*

APPD *K. Beaver* 1-18-91

APPD *- J. Zuber* 1/28/91

PRODUCT SPEC

APPLICATION SPEC

WEIGHT

AMP AMP INCORPORATED
Harrisburg, Pa. 17105

NAME
SEAL PROTECTOR, PIN, ECONOSEAL

| | | |
|------------------|------------------|----------------------|
| SIZE A | FSCN NO 00779 | DRAWING NO 208337 |
| SCALE 4:1 | SHEET 1 OF 1 | |

02 NOV 1990 11:15:27 AMP10842

© 1990 AMP INCORPORATED

CUSTOMER DRAWING

单击下面可查看定价，库存，交付和生命周期等信息

[>>TE Connectivity\(泰科\)](#)