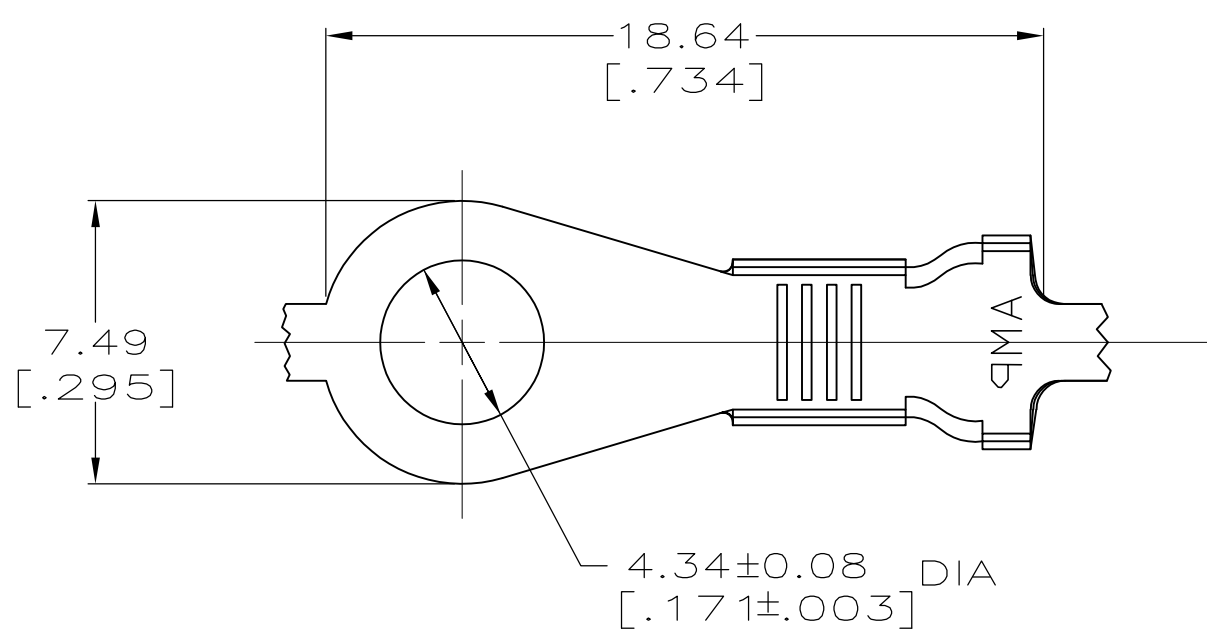
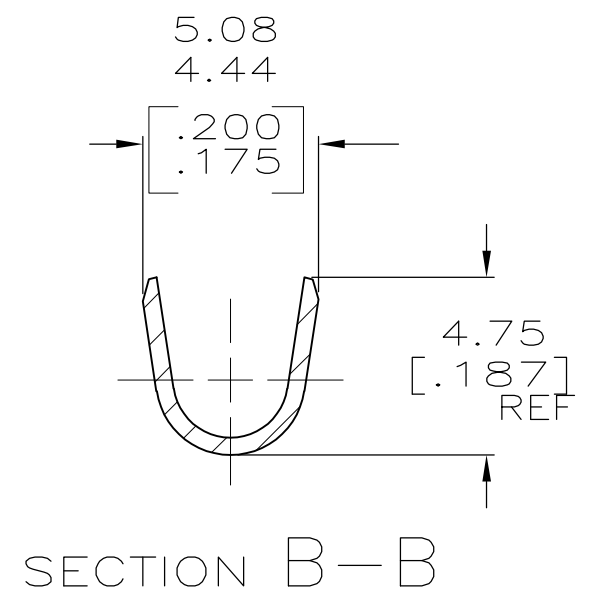
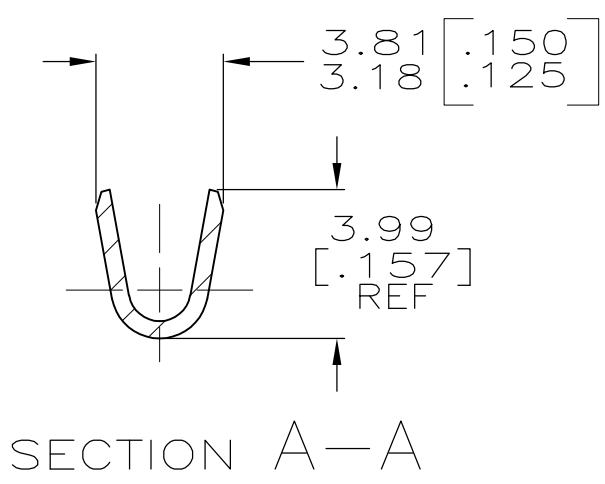
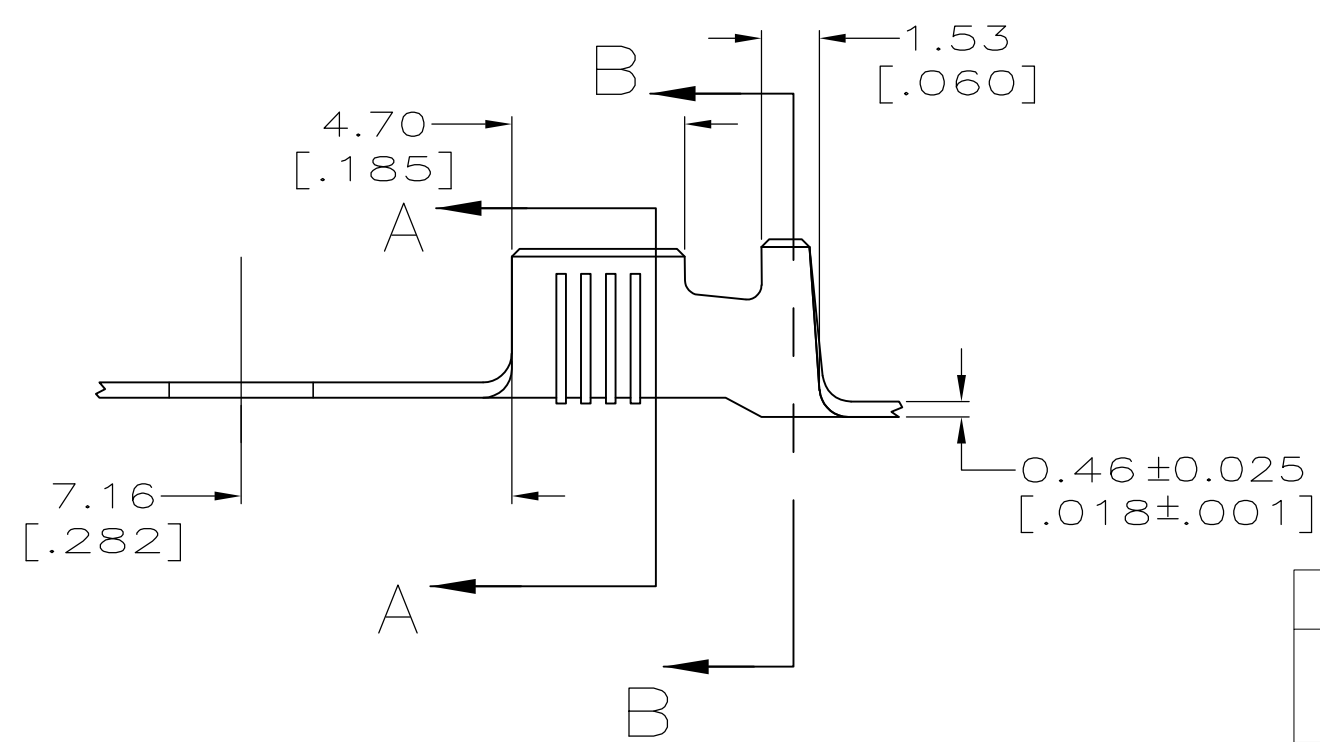


THIS DRAWING IS UNPUBLISHED. RELEASED FOR PUBLICATION
 © COPYRIGHT - By - ALL RIGHTS RESERVED.

LOC	DIST	REVISIONS			
P	LTR	DESCRIPTION	DATE	DWN	APVD
AF	50	H1	REVISED PER ECO-11-004820	11MAR11	RK HMR



- 1 CONTINUOUS STRIP ON REELS.
- 2 WIRE SIZE IS [#18-#14] AWG.
- 3 INSULATION RANGE IS 2.54-3.56 [.100-.140] DIA.
- 4 STUD SIZE IS M4 [#8].



WITH PAPER	-	60771-3
WITHOUT PAPER	TIN	60771-2
	-	60771-1
REELING REMARKS	FINISH	PART NO.

THIS DRAWING IS A CONTROLLED DOCUMENT.		DWN	JR RUTH	21JUL99	STE TE Connectivity											
DIMENSIONS: mm [INCHES]		CHK	MS FEHER	21JUL99												
TOLERANCES UNLESS OTHERWISE SPECIFIED:		APVD	D DECKER	21JUL99												
<table border="0"> <tr><td>0 PLC</td><td>± -</td></tr> <tr><td>1 PLC</td><td>± -</td></tr> <tr><td>2 PLC</td><td>± 0.38 [.015]</td></tr> <tr><td>3 PLC</td><td>± -</td></tr> <tr><td>4 PLC</td><td>± -</td></tr> <tr><td>ANGLES</td><td>± -</td></tr> </table>		0 PLC	± -	1 PLC		± -	2 PLC	± 0.38 [.015]	3 PLC	± -	4 PLC	± -	ANGLES	± -	NAME	
0 PLC	± -															
1 PLC	± -															
2 PLC	± 0.38 [.015]															
3 PLC	± -															
4 PLC	± -															
ANGLES	± -															
MATERIAL	H04 BRASS	FINISH	SEE TABLE	SIZE	A3											
CUSTOMER DRAWING		WEIGHT	-	CAGE CODE	00779											
				DRAWING NO	C-60771											
				RESTRICTED TO	-											
				SCALE	5:1											
				SHEET	1 OF 1											
				REV	H1											

单击下面可查看定价，库存，交付和生命周期等信息

[>>TE Connectivity\(泰科\)](#)