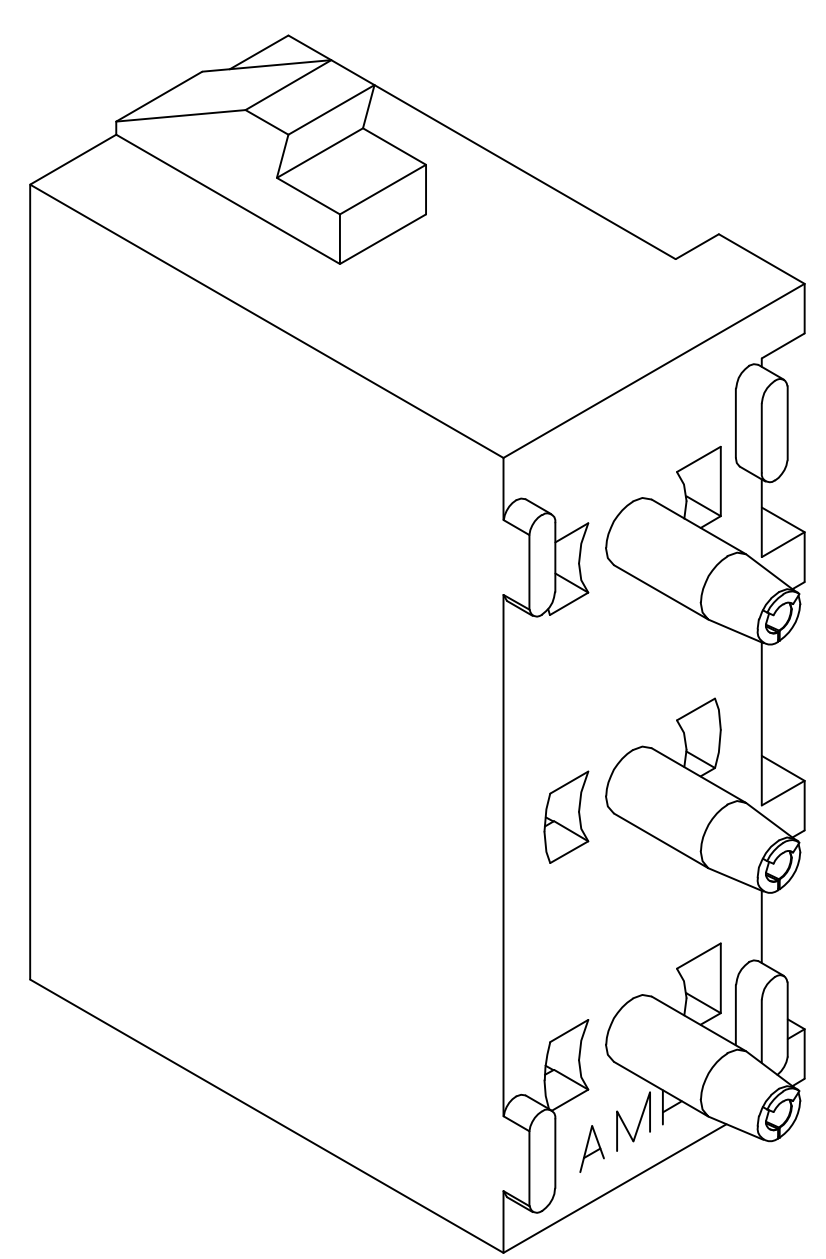
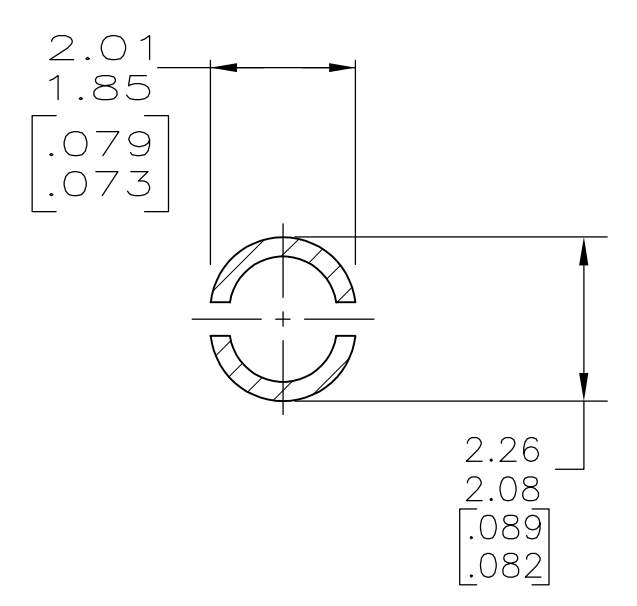
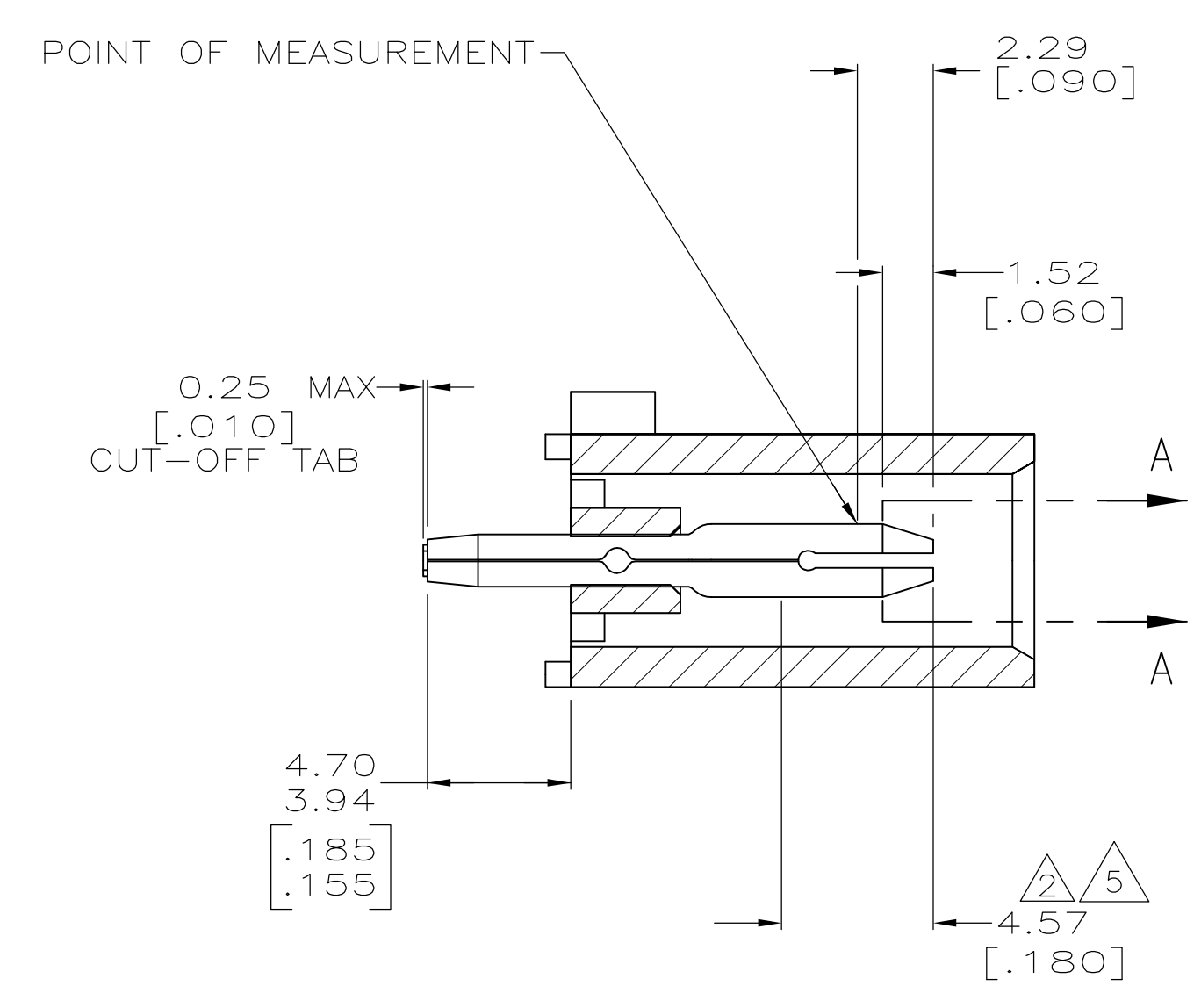


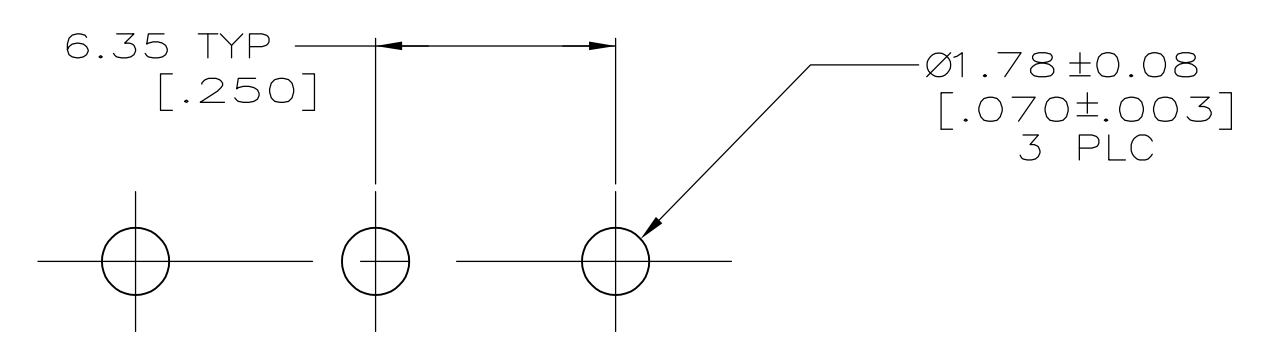
- 1 PARTS COMPLY TO AMP SOLDERABILITY SPECIFICATION 109-11-3.
- 2 CONTACT IS PLATED OVERALL WITH 0.00127 [.000050] NICKEL, THEN 0.00076 [.000030] GOLD OVER CONTACT LENGTH INDICATED AND MATTE TIN-LEAD ON SOLDER TAIL END.
- 3 CIRCUIT IDENTIFICATION CHARACTERS ARE ADJACENT TO THE INDICATED CAVITIES, BUT LOCATION AND ORIENTATION MAY DIFFER FROM PRINT.
- 4 DIMENSIONS IN BRACKETS ARE IN INCHES.
- 5 CONTACT IS PLATED OVERALL WITH 0.00127 [.000050] NICKEL, THEN 0.00076 [.000030] GOLD OVER CONTACT LENGTH INDICATED AND MATTE TIN ON SOLDER TAIL END.
- 6 SUPERSEDED BY 350789-3



3-DIMENSIONAL MODEL NTS



SECTION A-A SCALE 10:1



RECOMMENDED MOUNTING HOLE PATTERN FOR 1.57 [.062] THICK P.C. BOARD

PHOSPHOR BRONZE, PRE-TIN	NYLON, UL94V-0, BLUE	1-350789-6
PHOSPHOR BRONZE, PRE-TIN	NYLON, UL94V-0, RED	1-350789-2
PHOSPHOR BRONZE, GOLD 5	NYLON, UL94V-0, WHITE	350789-3
PHOSPHOR BRONZE, GOLD 2	NYLON, UL94V-0, WHITE	350789-2
PHOSPHOR BRONZE, PRE-TIN	NYLON, UL94V-0, WHITE	350789-1
PIN CONTACT MATERIAL AND FINISH		HOUSING MATERIAL
		PART NUMBER

THIS DRAWING IS A CONTROLLED DOCUMENT.

DIMENSIONS: mm [INCHES]	TOLERANCES UNLESS OTHERWISE SPECIFIED:	APVD: S. RIDGILL	DATE: 23JUN2003	NAME: S. CARPENTER	DATE: 23JUN2003
0 PLC ±	1 PLC ±	2 PLC ± 0.13 [.005]	3 PLC ±	4 PLC ±	ANGLES ± 0°30'
MATERIAL SEE TABLE	FINISH SEE TABLE	WEIGHT	SIZE: A1	CAGE CODE: 00779	DRAWING NO: 350789
CUSTOMER DRAWING			SCALE: 5:1	SHEET: 1 OF 1	REV: R3

STE TE Connectivity

PIN HEADER ASSEMBLY, 3 CIRCUIT, UNIVERSAL MATE-N-LOK(TM)

单击下面可查看定价，库存，交付和生命周期等信息

[>>TE Connectivity\(泰科\)](#)