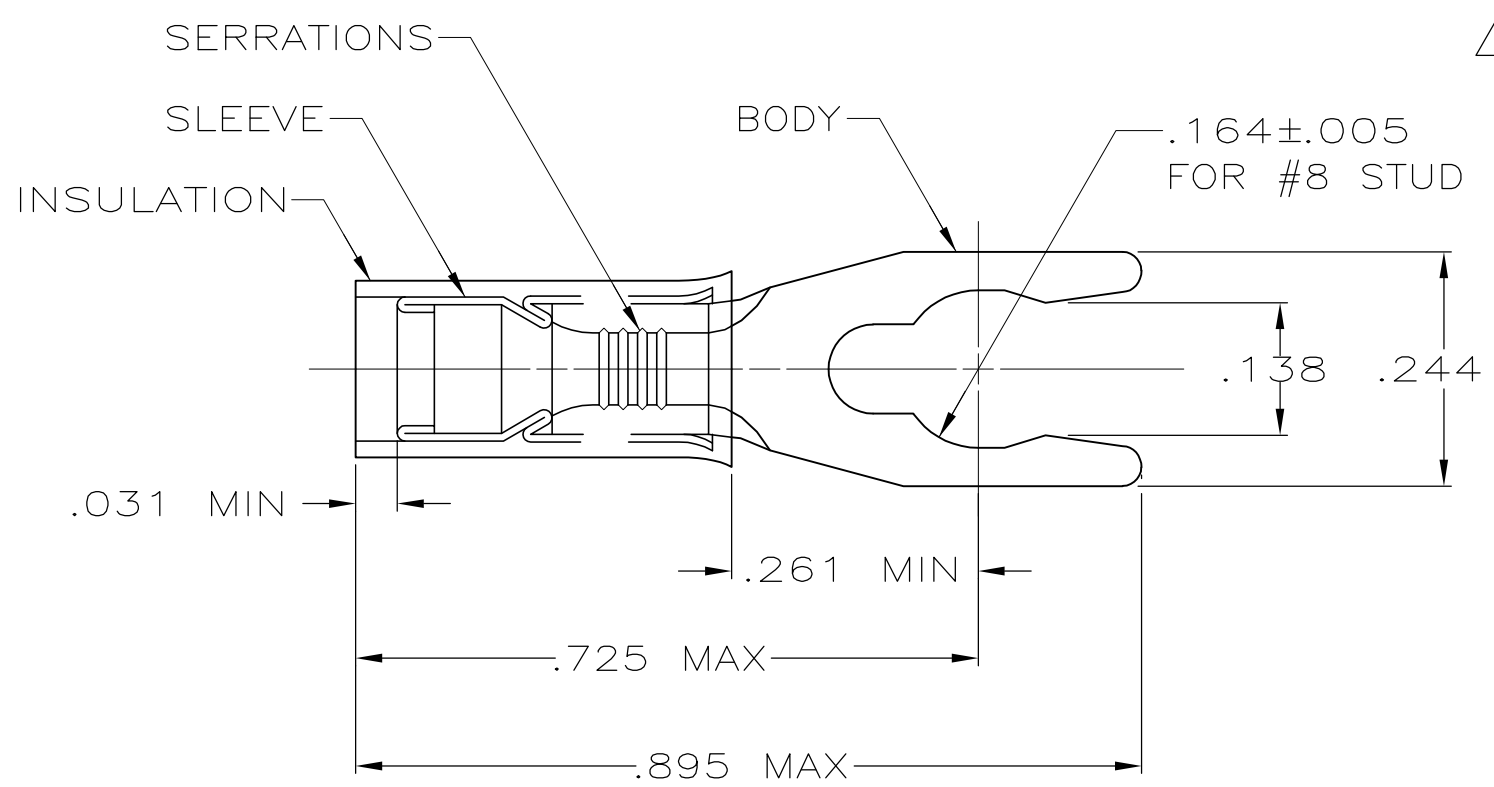


THIS DRAWING IS UNPUBLISHED. RELEASED FOR PUBLICATION  
 © COPYRIGHT BY TYCO ELECTRONICS CORPORATION. ALL INTERNATIONAL RIGHTS RESERVED.

LOC	DIST	REVISIONS					
G	14	P	LTR	DESCRIPTION	DATE	DWN	APVD
		C		REV PER ECR 10-005107	08MAR10	JR	TM

- ① STAMP 8S AMP 22-18\* APPROX AS SHOWN  
22-16 TERMINALS ARE STAMPED 22-18 IN  
ACCORDANCE WITH MILITARY SPEC MIL-T-7928  
COMMERCIAL WIRE RANGE IS 22-16
- 2 WIRE INSULATION DIA: 2.67-3.56 [.105-.140]
- 3 TONGUE MATERIAL THK: 0.79<sup>±0.05</sup> [.031<sup>±.002</sup>]
- ④ BODY - PHOS BRONZE PER ASTM B103  
SLEEVE - COPPER PER ASTM B152  
INSULATION - NYLON
- ⑤ BODY & SLEEVE - TIN PL PER ASTM B545  
INSULATION - COLOR RED



5000	ON TAPE, REEL	55768-1
QUANTITY	PACKAGE TYPE	PART NO.

THIS DRAWING IS A CONTROLLED DOCUMENT.		DWN MS FEHER 8/31/88	Tyco Electronics Corporation Harrisburg, PA 17105-3608	
DIMENSIONS: INCHES		CHK JR RUTH 9/1/88	NAME	
TOLERANCES UNLESS OTHERWISE SPECIFIED:		APVD G YETTER 9/1/88	TERMINAL, SPRING SPADE, PIDG, WIRE SIZE: 22-16	
0 PLC ± -		PRODUCT SPEC	SIZE CAGE CODE DRAWING NO RESTRICTED TO	
1 PLC ± -		APPLICATION SPEC	A3 00779 C-55768	
2 PLC ± -		WEIGHT -	SCALE 5:1 SHEET 1 OF 1 REV C	
3 PLC ± .008		CUSTOMER DRAWING		
4 PLC ± -				
ANGLES ± -				
MATERIAL - ④				
FINISH - ⑤				

单击下面可查看定价，库存，交付和生命周期等信息

[>>TE Connectivity\(泰科\)](#)