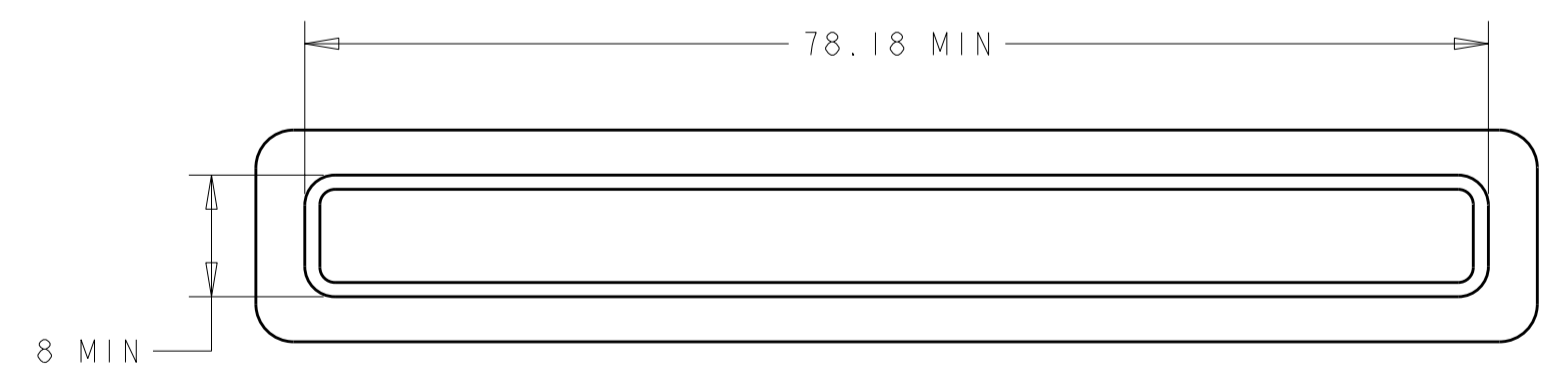
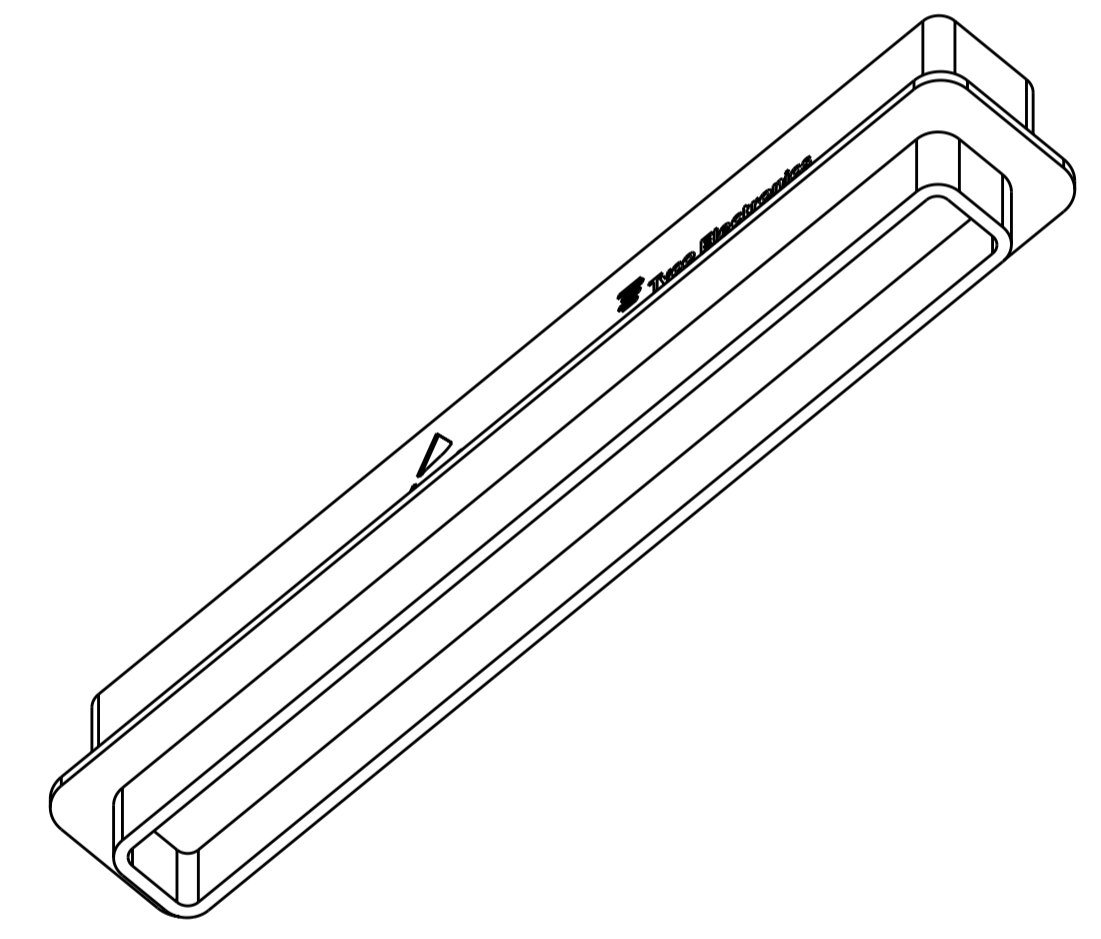
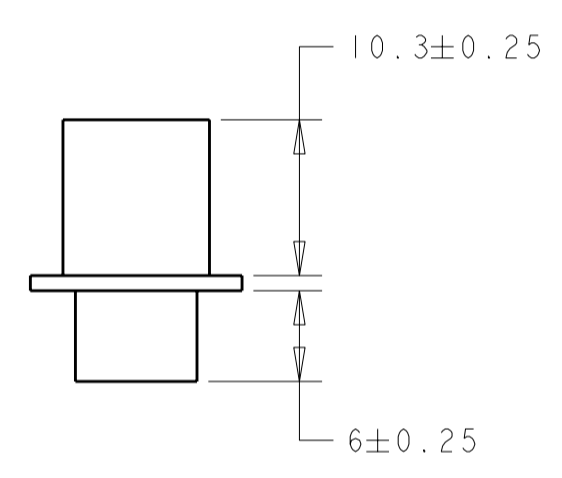
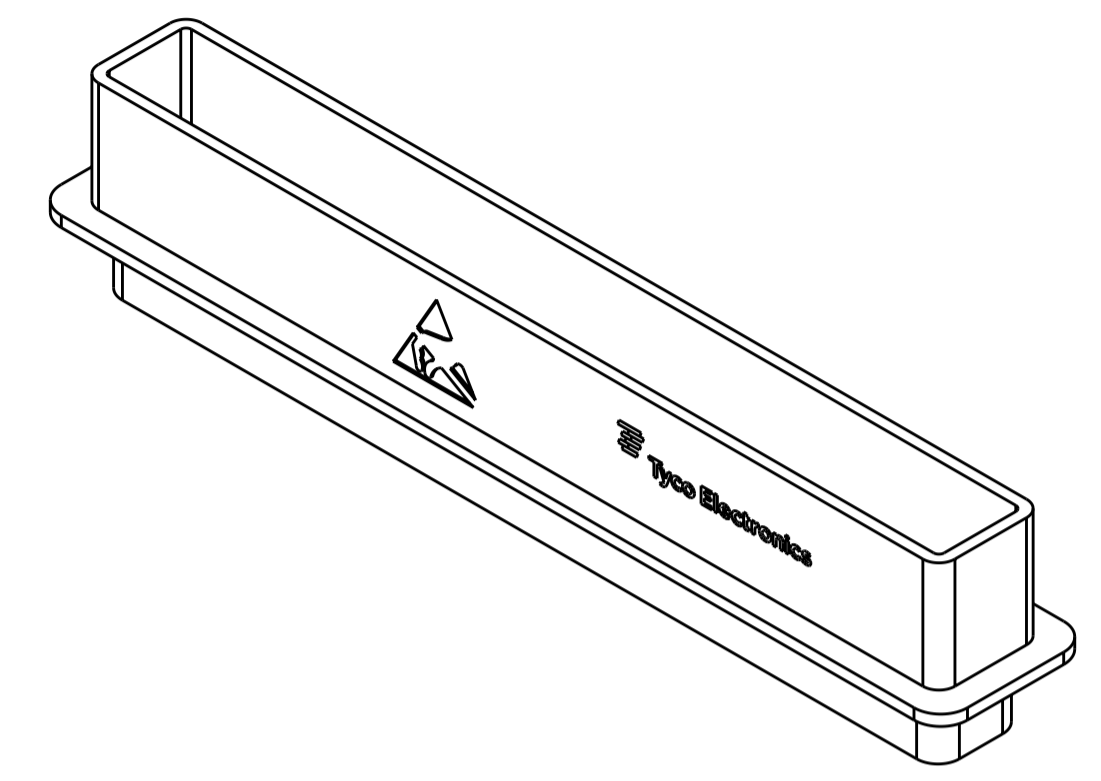
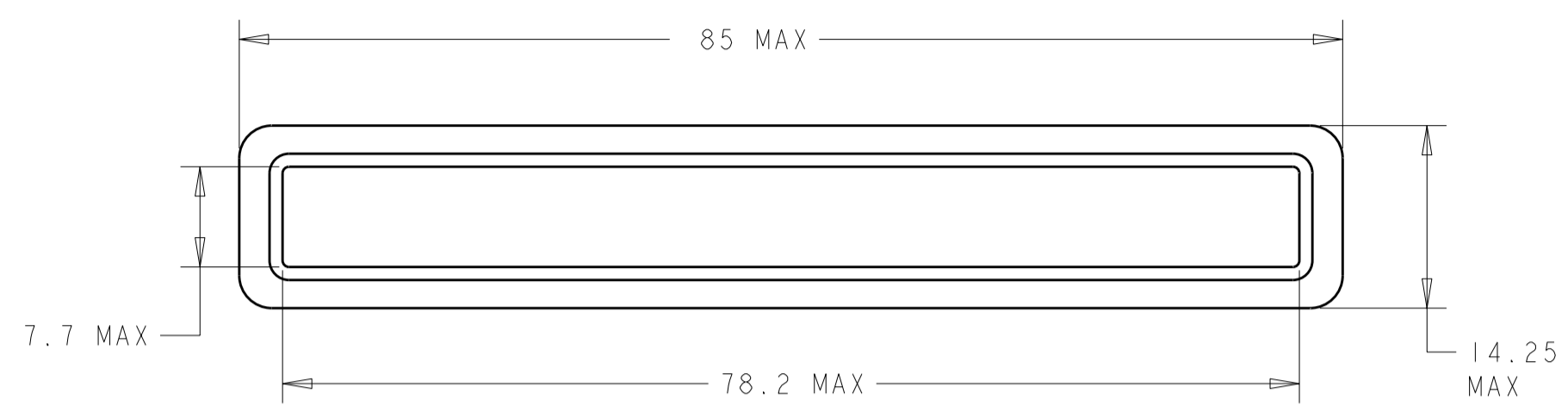


THIS DRAWING IS UNPUBLISHED. RELEASED FOR PUBLICATION 20
 © COPYRIGHT 20 BY TYCO ELECTRONICS CORPORATION. ALL RIGHTS RESERVED.

LOC	DIST	REVISIONS			
P	LTR	DESCRIPTION	DATE	DWN	APVD
	A	RELEASED PER ECO-09-013817	08JUL2009	RCF	JM
	B	REVISED PER ECO-09-017961	30JUL2009	RCF	JM



ANTI-STATIC THERMOPLASTIC ELASTOMER PER ASTM D5593, COLOR: BLACK.

1877519-1
PART NUMBER

THIS DRAWING IS A CONTROLLED DOCUMENT FOR TYCO ELECTRONICS CORPORATION. IT IS SUBJECT TO CHANGE AND THE CONTROLLING ENGINEERING ORGANIZATION SHOULD BE CONTACTED FOR THE LATEST REVISION.		DWN: BH 22NOV2005	tyco Tyco Electronics	
DIMENSIONS: mm		CHK: JPM 22NOV2005	Harrisburg, PA 17105-3608	
TOLERANCES UNLESS OTHERWISE SPECIFIED: 0 PLC ±0.15 1 PLC ±0.1 2 PLC ±0.05 3 PLC ± 4 PLC ± ANGLES ±1 FINISH		APVD: JPM 22NOV2005	NAME: DUST COVER, 24 POSITION	
MATERIAL:		PRODUCT SPEC: 108-2247	SIZE: A200779	DRAWING NO: C-1877519
		APPLICATION SPEC: 114-13192	RESTRICTED TO: -	
		WEIGHT: -	SCALE: 2:1	SHEET 1 OF 1 REV B
		CUSTOMER DRAWING		

单击下面可查看定价，库存，交付和生命周期等信息

[>>TE Connectivity\(泰科\)](#)