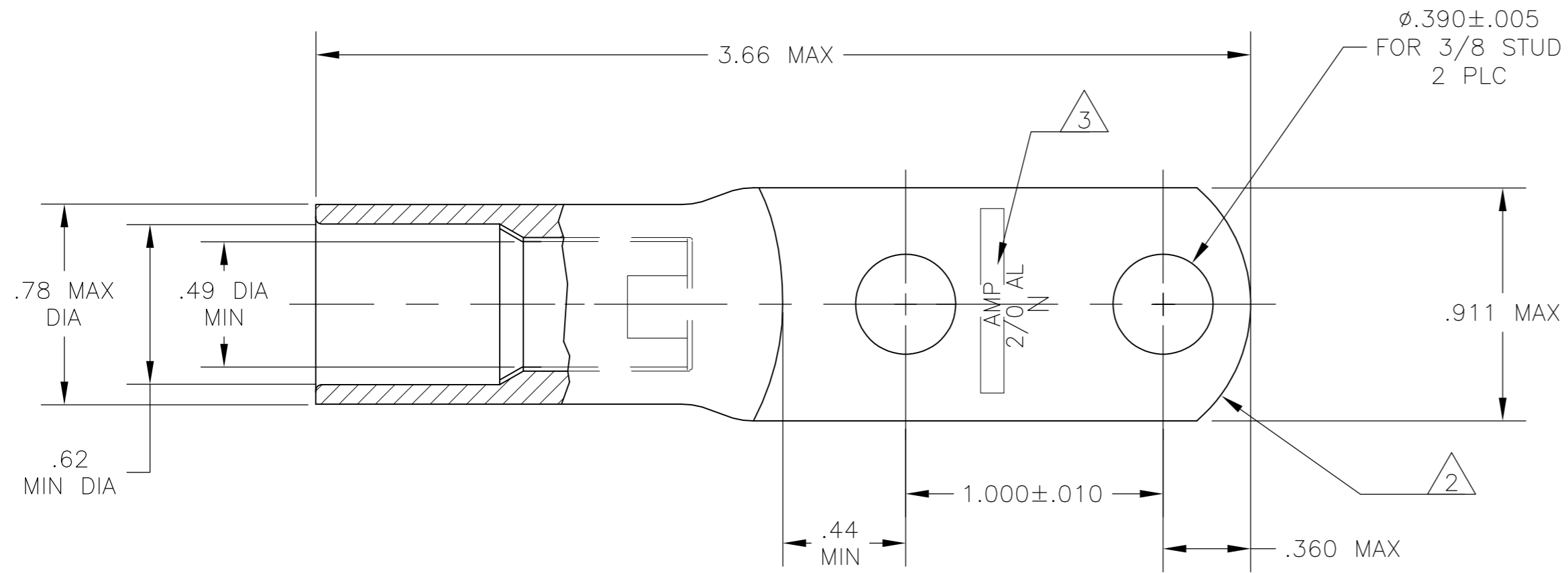
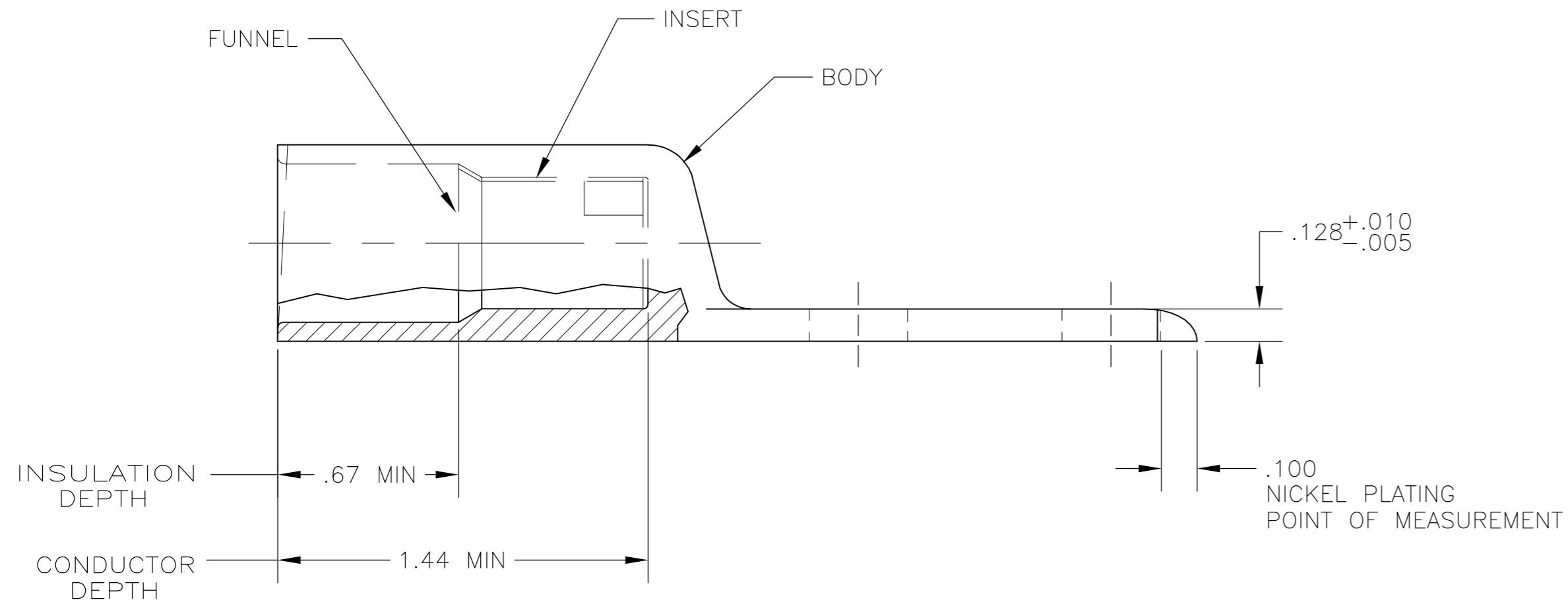


THIS DRAWING IS UNPUBLISHED. RELEASED FOR PUBLICATION
 © COPYRIGHT - By - ALL RIGHTS RESERVED.

LOC		DIST		REVISIONS			
P	LTR	DESCRIPTION	DATE	DWN	APVD		
	F	REV PER ECO-16-009651	29JUL2016	RS	CT		



- 1 WIRE INSULATION: .490-.574 DIA
- 2 THE TONGUE RADIUS FEATURE IS NOT A TOOLING CONTROLLED DIMENSION AND MAY NOT BE A TRUE RADIUS.
- 3 STAMP "AMP 2/0 AL N" SIZE AND LOCATION APPROX AS SHOWN



INSERT & FUNNEL: BRASS MIL-C-50 NICKEL PL QQ-N-290 .000300 AVG THK BODY: COPPER ASTM-B187 ANNEALED NICKEL PL .000300 MIN THK PER QQ-N-290	1958080-1
MATERIAL & FINISH	PART NO.

THIS DRAWING IS A CONTROLLED DOCUMENT.		DWN	JR RUTH	31JAN07		TE Connectivity							
DIMENSIONS: INCHES		CHK	JOHN KNOLL	31JAN07		NAME							
TOLERANCES UNLESS OTHERWISE SPECIFIED:		APVD	JOHN KNOLL	31JAN07		PRODUCT SPEC							
0 PLC ± - 1 PLC ± - 2 PLC ± - 3 PLC ± .010 4 PLC ± - ANGLES ± -		APPLICATION SPEC		WIRE TERMINAL, RING TONGUE, SEALED COPALUM, WIRE SIZE: 2/0 ALUMINUM									
MATERIAL SEE TABLE		FINISH SEE TABLE		WEIGHT	98 GRAMS	SIZE	A2	CAGE CODE	00779	DRAWING NO	C=1958080	RESTRICTED TO	-
CUSTOMER DRAWING				SCALE	2:1	SHEET	1 of 1	REV	F				

单击下面可查看定价，库存，交付和生命周期等信息

[>>TE Connectivity\(泰科\)](#)