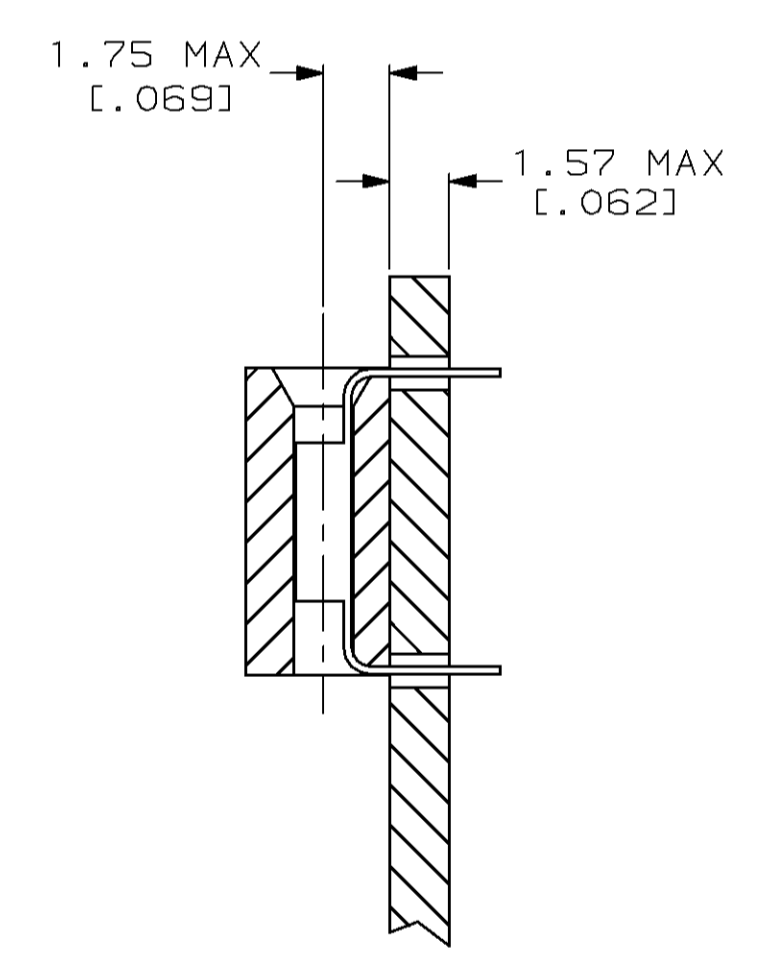
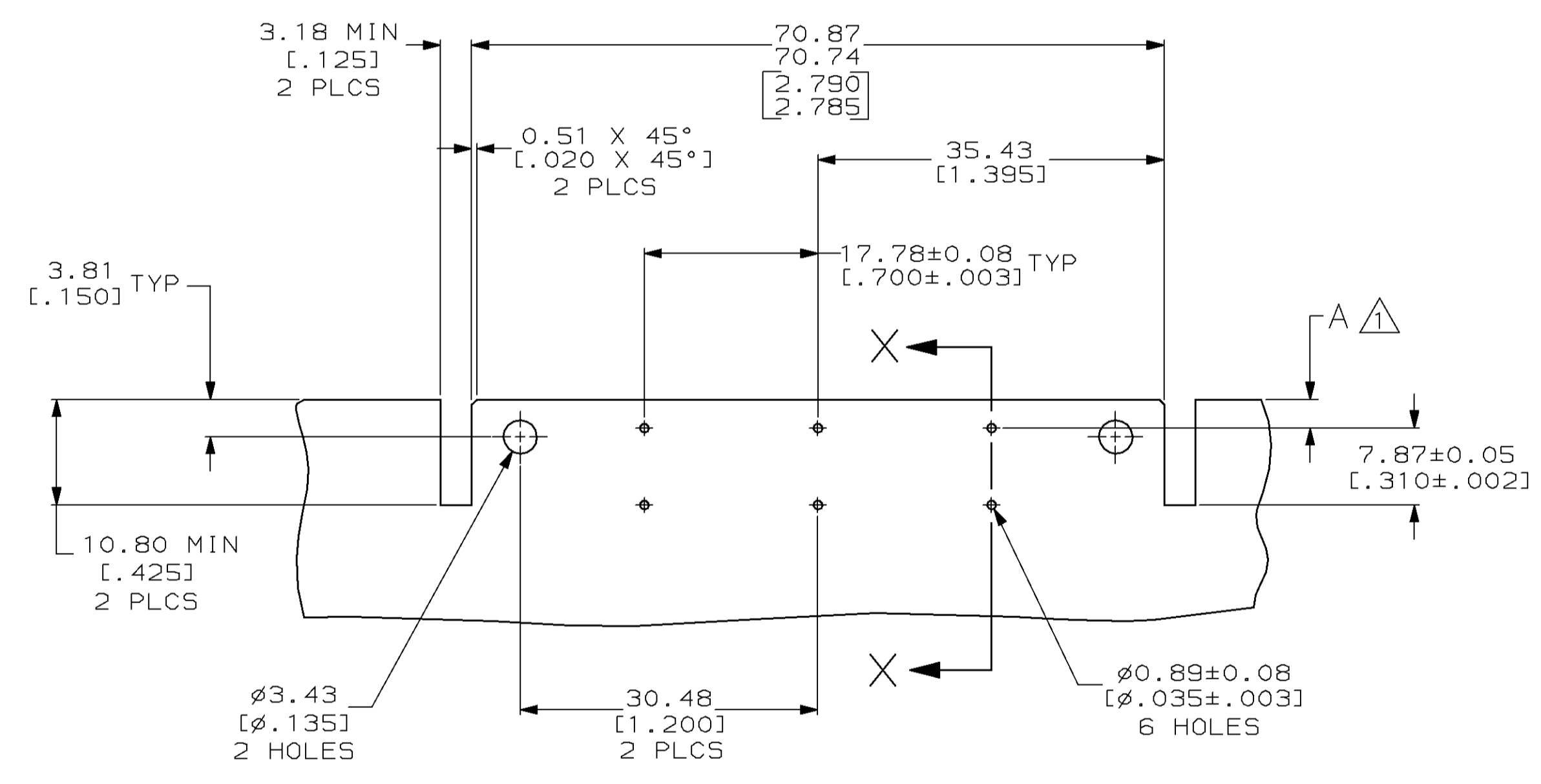
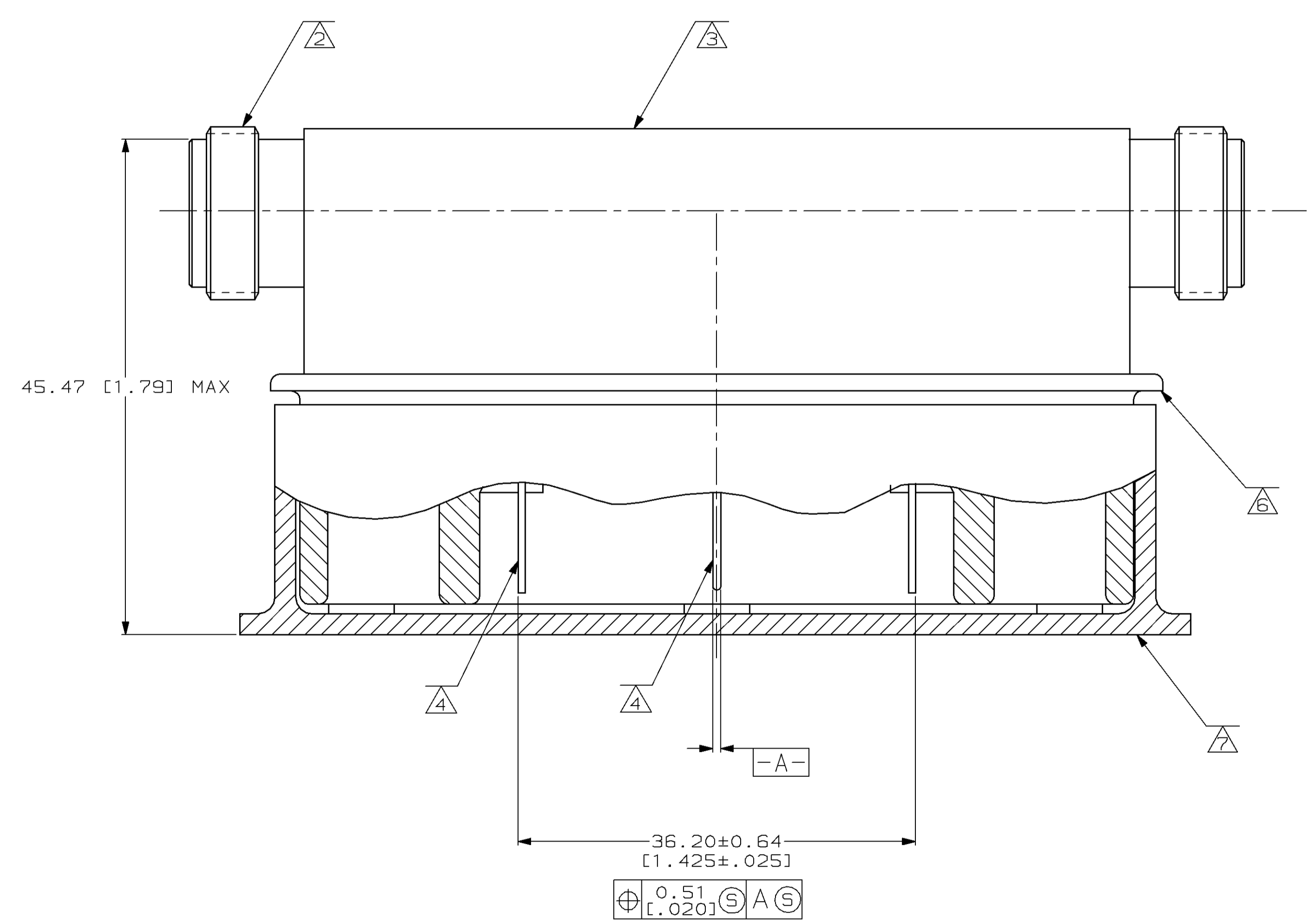
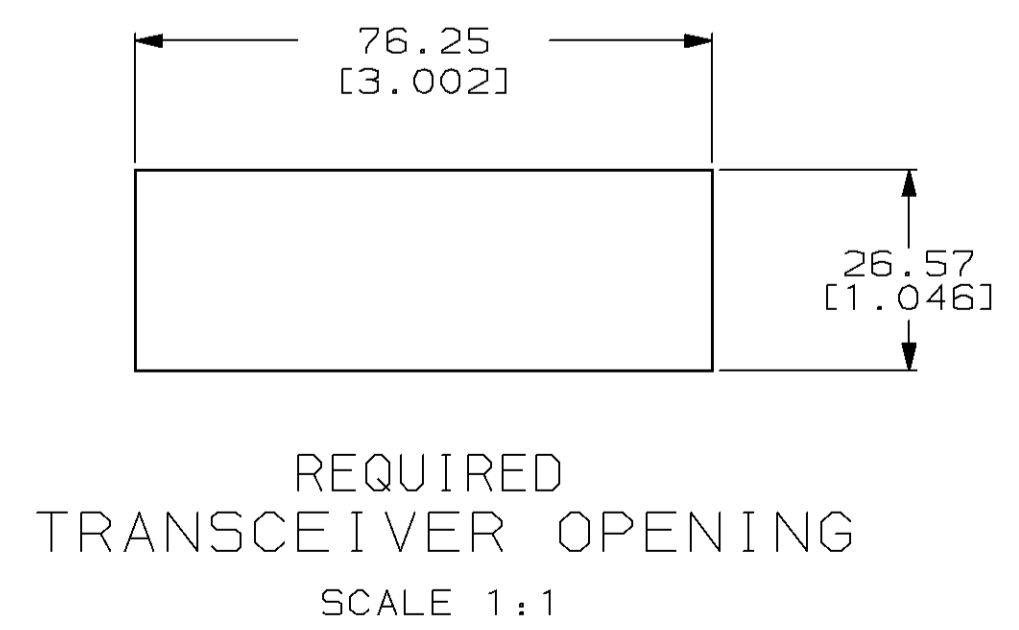


- 1 WHEN USING AMP MODU CONNECTOR SERIES 532965, A = 1.52 = 0.13/-0.00 [.060 +.005/- .000]
- 2 WHEN USING AMP MODU CONNECTOR SERIES 87854, A = 2.92 [.115]
- 2 SHELL: ZINC ALLOY, NICKEL PLATE
- 3 COVER: PVC, BLACK, UL94V-0 RATED
- 4 CONTACT & POSTS: PHOSPHOR BRONZE, GOLD PLATE
- 5 DIELECTRIC: POLYETHYLENE, NATURAL
- 6 BODY: POLYCARBONATE, BLACK, UL94V-0 RATED
- 7 DUST COVER: POLYPROPYLENE, WHITE OR BLACK



TRANSCEIVER BOARD LAYOUT  
SCALE 2:1

SECTION X-X  
WITH AMP MODU  
CONNECTOR ASSY  
SCALE 5:1



REQUIRED  
TRANSCEIVER OPENING  
SCALE 1:1

221914-1  
PART NUMBER

THIS DRAWING IS A CONTROLLED DOCUMENT.		DMN J. L. GROFT 3-15-96	AMP Incorporated Harrisburg, PA 17105-3608
DIMENSIONS: mm (INCHES)		CHK R. J. KOBLER 3-15-96	
TOLERANCES UNLESS OTHERWISE SPECIFIED:		APP'D R. J. KOBLER 3-15-96	NAME R. J. KOBLER
0 PLC ±	1 PLC ±	PRODUCT SPEC	
2 PLC ±0.13 (.005)	3 PLC ±	APPLICATION SPEC	
4 PLC ±	ANGLES ±	WEIGHT	
MATERIAL SEE NOTES		FINISH SEE NOTES	
CUSTOMER DRAWING		SIZE A1	CAGE CODE 00779
		DRAWING NO. 221914	SCALE 3:1
		SHEET 1 OF 1	REV E

单击下面可查看定价，库存，交付和生命周期等信息

[>>TE Connectivity\(泰科\)](#)