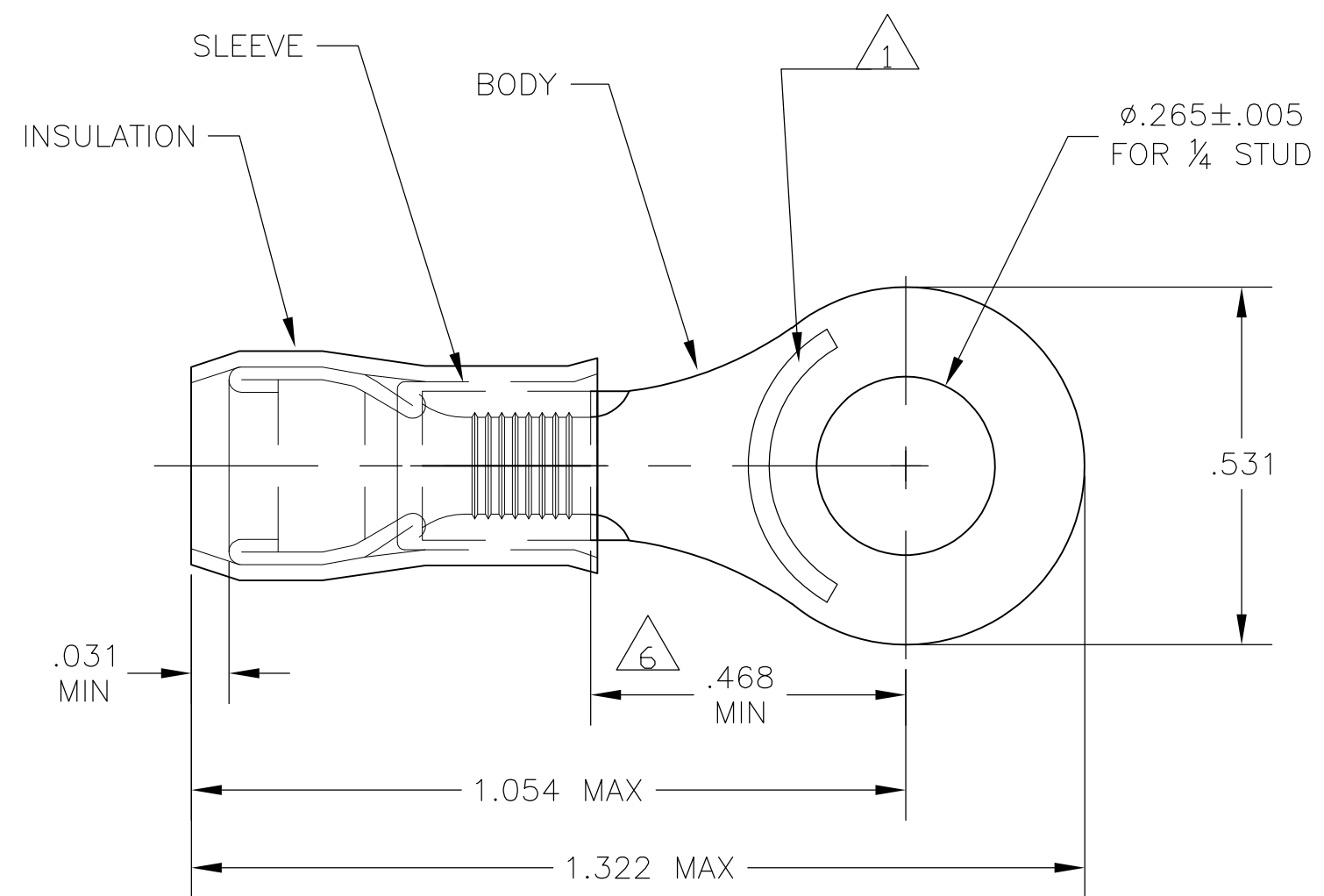


THIS DRAWING IS UNPUBLISHED. RELEASED FOR PUBLICATION  
 © COPYRIGHT - By - ALL RIGHTS RESERVED.

LOC	DIST	REVISIONS					
		P	LTR	DESCRIPTION	DATE	DWN	APVD
G	14		K2	REVISED PER ECO-11-004587	11MAR11	RK	HMR



- 1 STAMP "AMP 12-10\*" APPROX AS SHOWN
- 2 WIRE INSULATION DIA: .150-.250
- 3 TONGUE MATERIAL THK: .040±.002
- 4 BODY: TIN PLATE .000100 MIN EXT THK PER ASTM B545
- 5 BODY & SLEEVE- CU PER ASTM B152  
INSULATION - NYLON, COLOR - YELLOW
- 6 APPLIES FROM EDGE OF METAL WIRE BARREL TO CENTER OF STUD HOLE.
- 7 MEETS MS25036-157, CLASS 1 & 2
- 8 MEETS MS25036-157, CLASS 2

SUPERSEDED BY 8-35110-1	25	LOOSE PIECE, BLS	9-35110-4
SUPERSEDED BY 8-35110-1	5	LOOSE PIECE, BLS	8-35110-5
SUPERSEDED BY 8-35110-1	25	LOOSE PIECE, BAG	8-35110-4
	100	LOOSE PIECE, BOX	8-35110-1
	2500	ON TAPE & REEL	8 2-35110-1
	500	LOOSE PIECE	7 35110
QTY		PACKAGE TYPE	PART NO

CUSTOMER SERVICE SYSTEMS		MAX RECOMMENDED OPERATING TEMPERATURE: 105°C MAX	THIS DRAWING IS A CONTROLLED DOCUMENT.		DWN JR RUTH 18DEC09	TE Connectivity NAME TERMINAL, RING TONGUE, PIDG WIRE SIZE: 12-10 AWG			
FOR ADDITIONAL PRODUCT INFORMATION OR COPIES OF DRAWINGS AND TECHNICAL DOCUMENTS	PRODUCT INFORMATION CENTER 1-800-522-6752	VOLTAGE RATING: 300 VOLT MAX	DIMENSIONS: INCHES	TOLERANCES UNLESS OTHERWISE SPECIFIED:	CHK T MICHIELUTTI 18DEC09				
FOR APPLICATION TOOLING INFORMATION	TOOLING ASSISTANCE CENTER 1-800-722-1111	CIRCULAR MIL AREA: 2.62-6.64mm² [5,180-13,100] STRANDED OR SOLID		0 PLC ± - 1 PLC ± - 2 PLC ± - 3 PLC ± .008 4 PLC ± - ANGLES ± -	APVD T MICHIELUTTI 18DEC09	—	—	—	—
FOR ORDER ENTRY	1-800-526-5142	THIS DRAWING IS A CONTROLLED DOCUMENT FOR AMP INCORPORATED. IT IS SUBJECT TO CHANGE AND THE CONTROLLING ENGINEERING ORGANIZATION SHOULD BE CONTACTED FOR THE LATEST REVISION.	MATERIAL - 5	FINISH - 4	PRODUCT SPEC —	—	—	—	—
			CUSTOMER DRAWING		WEIGHT —	A3	00779	C-35110	—
					SCALE 4:1		SHEET 1 OF 1		REV K2

单击下面可查看定价，库存，交付和生命周期等信息

[>>TE Connectivity\(泰科\)](#)