

CODE 21 - BRAID TAIL BACKSHELL

206M016-19B08

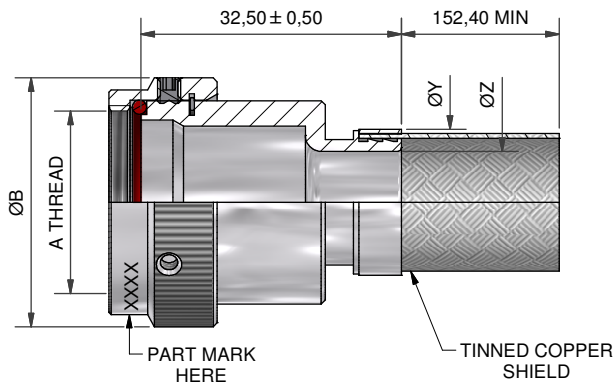
SERIES _____
 ORDER NUMBER (TABLE 1) _____
 MATERIAL _____
 REFER TO CH00-0250-004
 FINISH _____
 REFER TO CH00-0250-004
 ENTRY SIZE (TABLE 2) _____
 MODIFICATION CODE _____
 REFER TO CH00-0250-004 (2)

NOTES:

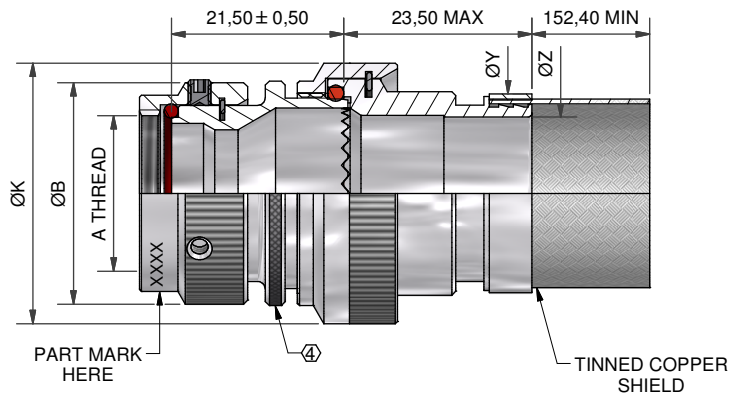
1. THIS PRODUCT IS DESIGNED TO TERMINATE A HEAT SHRINKABLE LIPPED BOOT TO A CONNECTOR.
- (2) FOR ADDITIONAL DIMENSIONS, ORDERING INFORMATION AND MODIFICATIONS, SEE CH00-0250-004
3. BACKSHELL TO BE PERMANENTLY MARKED/BAGGED AND LABELLED WITH CODE IDENTIFICATION NUMBER AND PART NUMBER. (e.g. 06090-206M016-19B08).
- (4) WHEN ENTRY SIZE EXCEEDS "MAX ENTRY", A 2 PIECE BACKSHELL (TYPE 2) IS SUPPLIED.
5. BRAID TERMINATION RING MAY BE SUPPLIED AS TINEL-LOCK SHAPE MEMORY RING AT MANUFACTURERS OPTION.
- (6) BACKSHELL MATES TO MIL-DTL-26482 SERIES I, MS3110, MS3116, MS3120, MS3126 CLASS E AND F CONNECTORS.
- (7) ANTI-ROTATIONAL SET SCREW, 3 THREADED HOLES $120^\circ \pm 5^\circ$ APART, SINGLE MATING SET SCREW SUPPLIED.

DRAWN	K.WINCZURA	DATE 19/02/2015		3RD ANGLE PROJECTION NOT TO SCALE	TITLE: BRAID TAIL BACKSHELL (CODE 21)			
CHECKED		19/02/2015						
APPROVED	K.SHEPPARD	24/02/2015	UNLESS OTHERWISE SPECIFIED ALL DIMENSIONS IN MILLIMETRES					
APPROVED	H.SMITH	01/10/2015	GENERAL TOL LINEAR +/-0.25MM ANGULAR +/- 1°					
REVISIONS								
LTR	DESCRIPTION	DATE	APPROVED		ASSY USED ON: MIL-DTL-26482 SERIES I			
L	REVISED PER ECO-15-003575	06/03/2015	I.MYONG					
M	REVISED PER ECO-15-013980	01/10/2015	H.SMITH					
TE CAGE CODE: 06090 POLAMCO/TE CAGE CODE: U5792					TE CONNECTIVITY - POLAMCO LTD RESERVES THE RIGHT TO AMEND THIS DRAWING AND TO INDEP Downloaded From Oneyac.com	DRAWING NO: 206M0XX	DRAWING REV: M	SHT 1

IF MAX ENTRY IS EXCEEDED BACKSHELL
WILL BE SUPPLIED AS TYPE 2



STRAIGHT BACKSHELL - TYPE 1



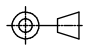
STRAIGHT BACKSHELL - TYPE 2

TABLE 1

ORDER NUMBER	SHELL SIZE ⊕	A THREAD	ØB MAX	MAX ENTRY
08	8	7/16-28UNEF	18,05	04
10	10	9/16-24UNEF	21,55	06
12	12	11/16-24UNEF	24,65	08
14	14	13/16-20UNEF	27,65	10
16	16	15/16-20UNEF	31,05	12
18	18	1 1/16-18UNEF	34,35	13
20	20	1 3/16-18UNEF	37,55	15
22	22	1 5/16-18UNEF	40,55	17
24	24	1 7/16-18UNEF	43,55	18

TABLE 2

ENTRY SIZE	ØK MAX	ØZ REF	ØY REF
03	NA	4,77	13,1
04	NA	6,35	13,1
05	21,0	7,92	13,1
06	21,0	9,52	17,9
07	21,0	11,12	17,9
08	24,5	12,70	17,9
09	24,5	14,27	17,9
10	29,0	15,87	24,2
11	32,5	17,47	24,2
12	32,5	19,05	24,2
13	35,5	20,62	24,2
14	35,5	22,23	30,6
15	37,0	23,82	30,6
16	37,0	25,40	30,6
17	40,0	26,98	33,2
18	40,0	28,60	33,2
20	43,5	31,80	42,0
21	48,5	33,34	42,0
22	48,5	35,00	42,0
24	52,1	38,10	42,0
28	58,5	44,45	49,0

DRAWN	K.WINCZURA	DATE	19/02/2015	 3RD ANGLE PROJECTION NOT TO SCALE
CHECKED		DATE	19/02/2015	
APPROVED	K.SHEPPARD	DATE	24/02/2015	
APPROVED	H.SMITH	DATE	01/10/2015	
REVISIONS				
LTR	DESCRIPTION	DATE	APPROVED	
L	REVISED PER ECO-15-003575	06/03/2015	I.MYONG	
M	REVISED PER ECO-15-013980	01/10/2015	H.SMITH	

TITLE:
BRAID TAIL BACKSHELL (CODE 21)

ASSY USED ON:
MIL-DTL-26482 SERIES I



UNLESS OTHERWISE SPECIFIED ALL DIMENSIONS IN MILLIMETRES
GENERAL TOL
LINEAR +/- 0,25MM
ANGULAR +/- 1°

TE CAGE CODE: 06090
POLAMCO/TE CAGE CODE: U5792

单击下面可查看定价，库存，交付和生命周期等信息

[>>TE Connectivity\(泰科\)](#)