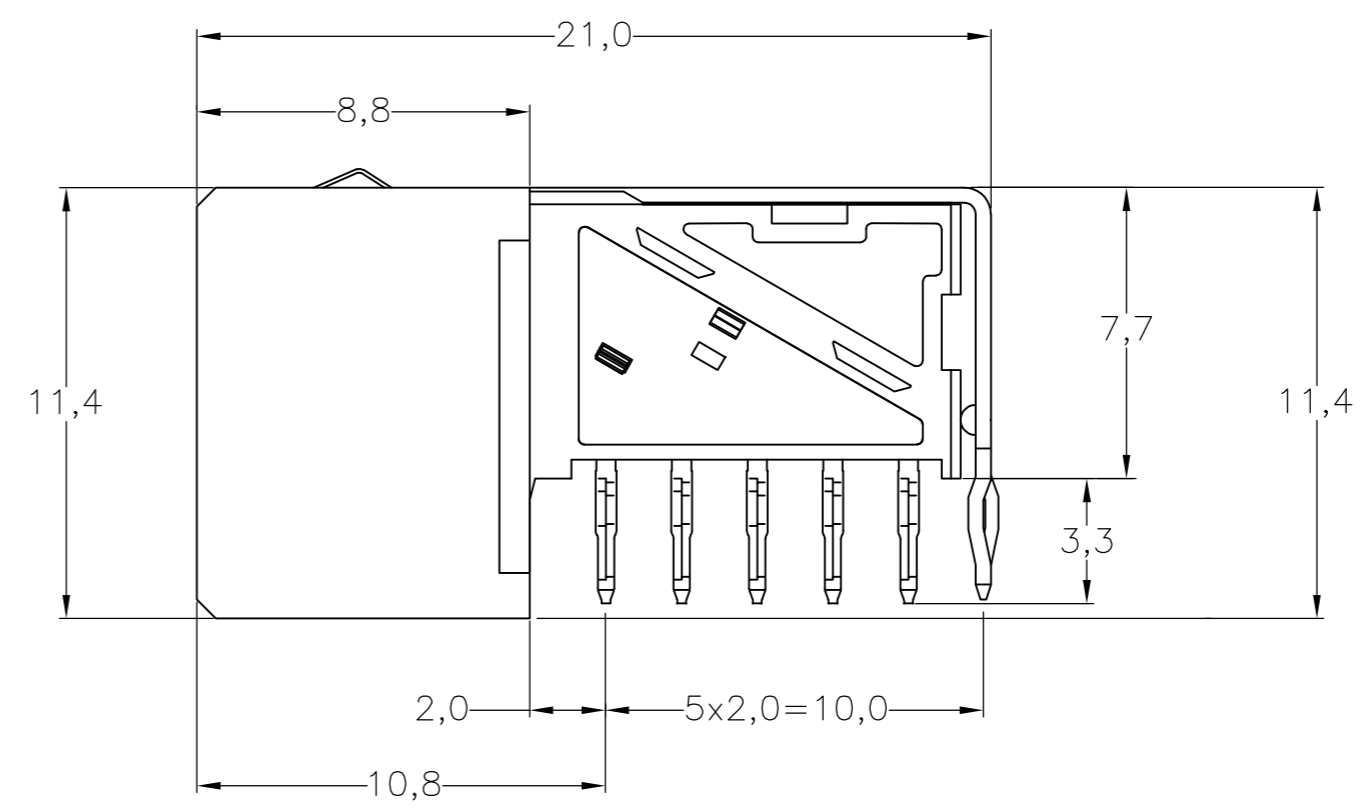
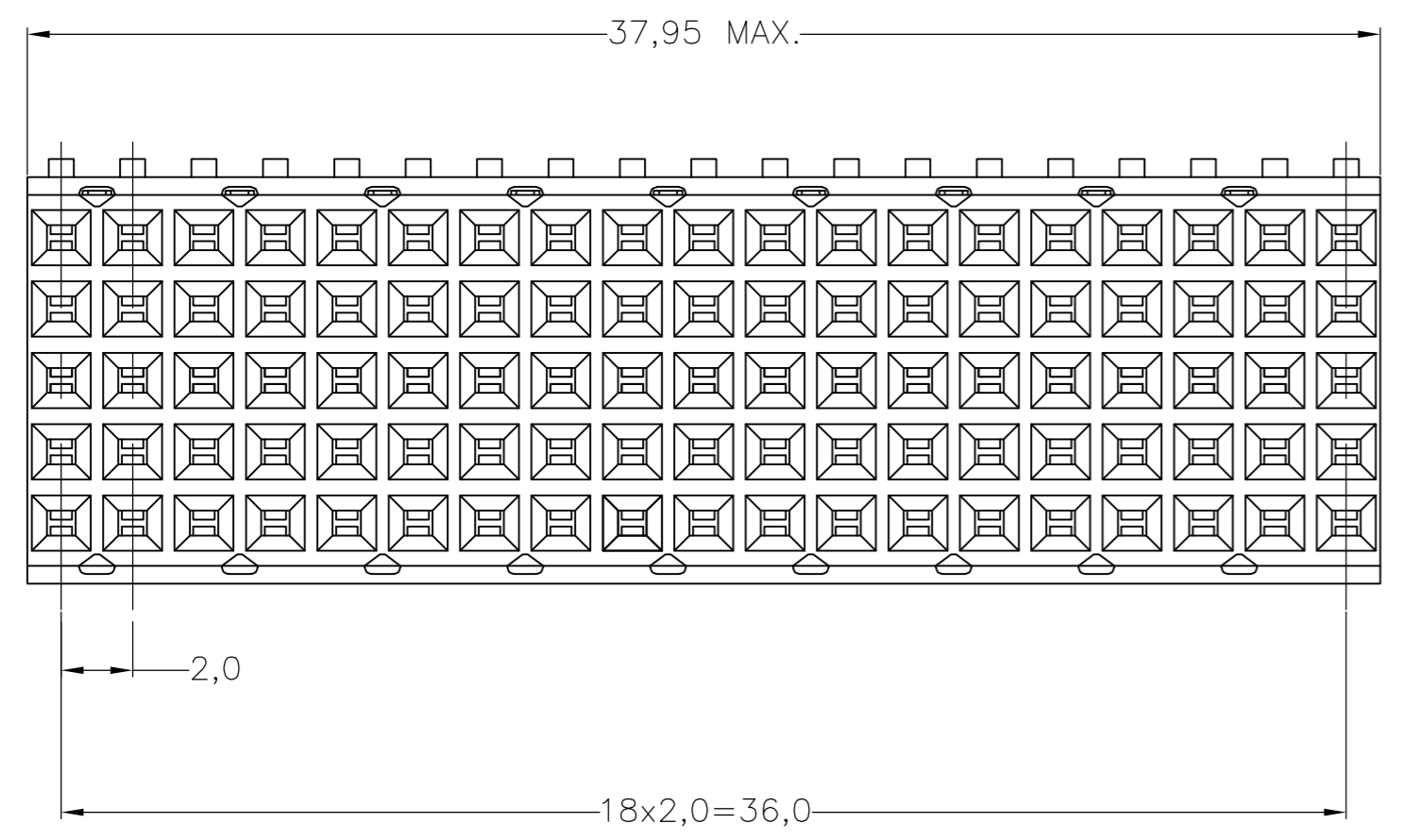
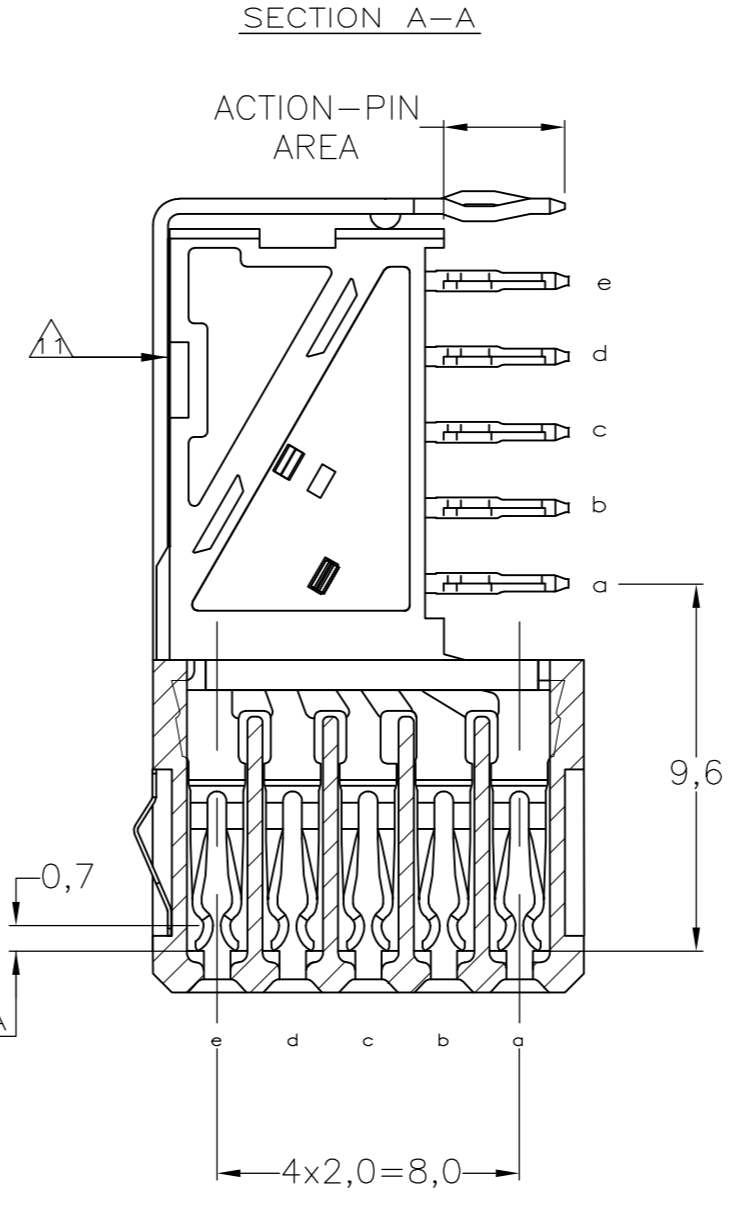
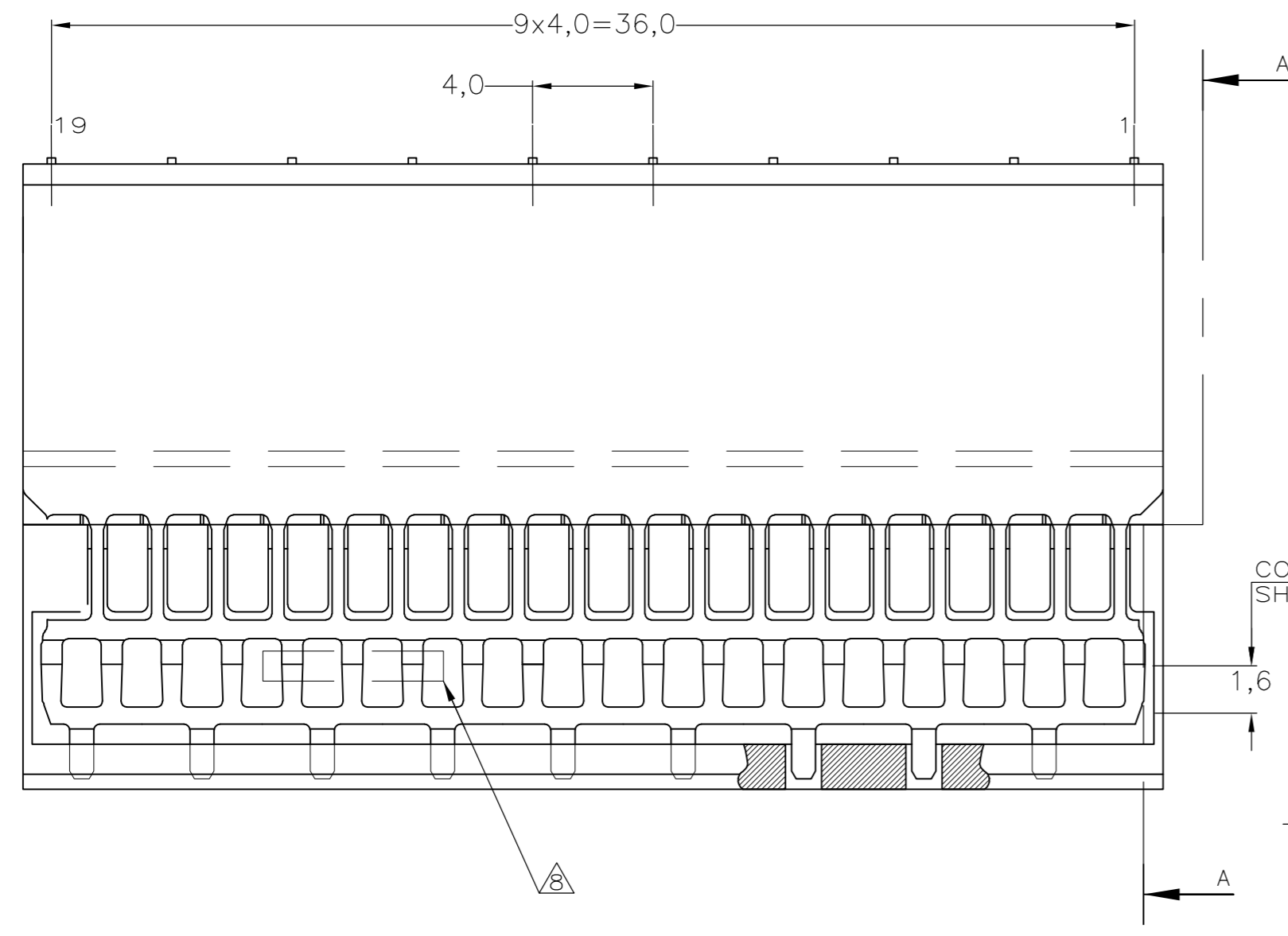


THIS DRAWING IS UNPUBLISHED. RELEASED FOR PUBLICATION
 © COPYRIGHT - By - ALL RIGHTS RESERVED.

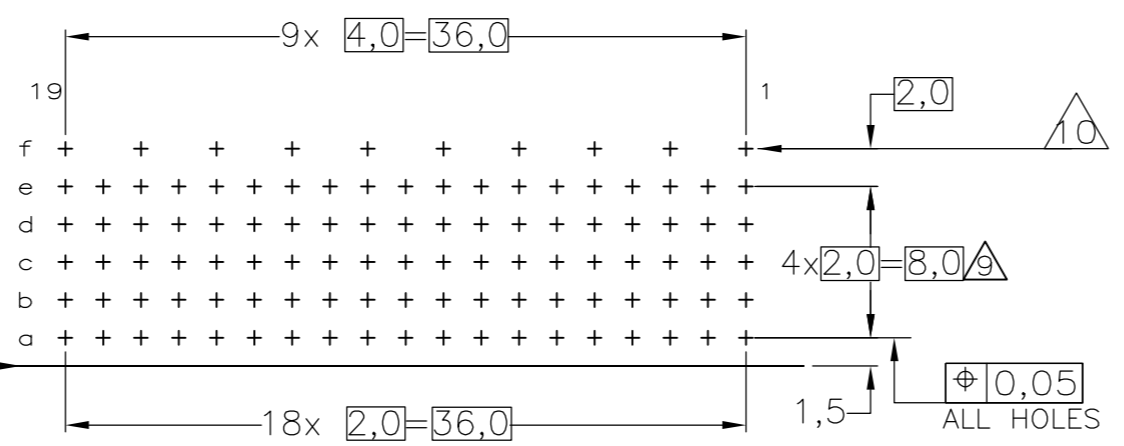
LOC	DIST	REVISIONS					
		P	LTR	DESCRIPTION	DATE	DWN	APVD
H	-	M		ECR-16-013255	17JUL2017	FL	SY

NOTES:

- △ MATERIAL CONTACTS; PHOSPHORBRONZE
MATERIAL HOUSING; GLASSFILLED POLYESTER (GRAY)
- △ GENERAL PLATING SPECIFICATION: UNDERPLATING (ENTIRE CONTACT): 1,27µm NICKEL MIN. AND ACTION PIN: 0,5µm TIN-LEAD MIN.
FOR PLATING OF MATING SURFACES SEE APPLICABLE SPECIFICATION REFERENCE FOR EACH DASH NUMBER.
- △ CONFORMS TO ALL TESTING ACCORDING IEC 61076-4-101 PERFORMANCE LEVEL 2.
- △ CONFORMS TO ALL TESTING ACCORDING IEC 61076-4-101 PERFORMANCE LEVEL 1.
- △ CONNECTOR TESTED AND QUALIFIED AGAINST TELCORDIA GR-1217-CORE QUALITY LEVEL III, CENTRAL OFFICE APPLICATIONS.
- △ CONNECTOR LUBRICATED WITH TELCORDIA GR-1217-CORE APPROVED LUBRICANT.
- △ ASSEMBLY PRINTED WITH P/N AND DATECODE
THE MARKING CAN APPEAR ON THE FRONT SIDE OR BACK SIDE.
- △ HOLE PATTERN FOR FEMALE CONNECTOR TYPE B-19 COLUMNS
95 PLATED-THROUGH HOLES AT 2x2mm SQUARE GRID
- △ ROW "f" 10 PLATED THROUGH HOLES FOR UPERSHIELD
- △ SHIELD MOUNTED ON CONNECTOR WITH DOUBLE SIDED ADHESIVE TAPE OR ADHESIVE
- 12 BASIC P.N. LOWERSHIELD: 352029
- △ 0.76µm MIN GOLD PLATING AT MATING SURFACES OF SIGNAL.
- △ 1.27µm MIN GOLD PLATING AT MATING SURFACES OF SIGNAL.



COMPONENT SIDE AS SHOWN
 RECOMMENDED PCB-HOLE LAY-OUT
 SCALE 2,5:1



P.C.B. HOLE DIM. ACTION PIN
 FOR DETAILS SEE
 APPLICATION SPECIFICATION

OBSOLETE

△△△	△	5-352171-0
△△△	△	3-352171-0
△△△	△	352171-9
△△	△	352171-4
△△	△	352171-1
FINISH	MATERIAL	PARTNUMBER

THIS DRAWING IS A CONTROLLED DOCUMENT.

DWN	W. V.D. HEIJDEN	28-JAN-97
CHK	B. MOOIJ	06-FEB-06
APVD	J. BROEKSTEEG	06-FEB-06
PRODUCT SPEC	108-19082	
APPLICATION SPEC	114-19029	
WEIGHT	0.0000	
CUSTOMER DRAWING		

TE Connectivity

Z-PACK 2MM HM
 TYPE B - 19 COLUMNS
 PRE-SHIELDED RECEPTACLE

SIZE	A2	CAGE CODE	00779	DRAWING NO	C=352171	RESTRICTED TO	-
SCALE	NTS	SHEET	1 OF 1	REV	M		

单击下面可查看定价，库存，交付和生命周期等信息

[>>TE Connectivity\(泰科\)](#)