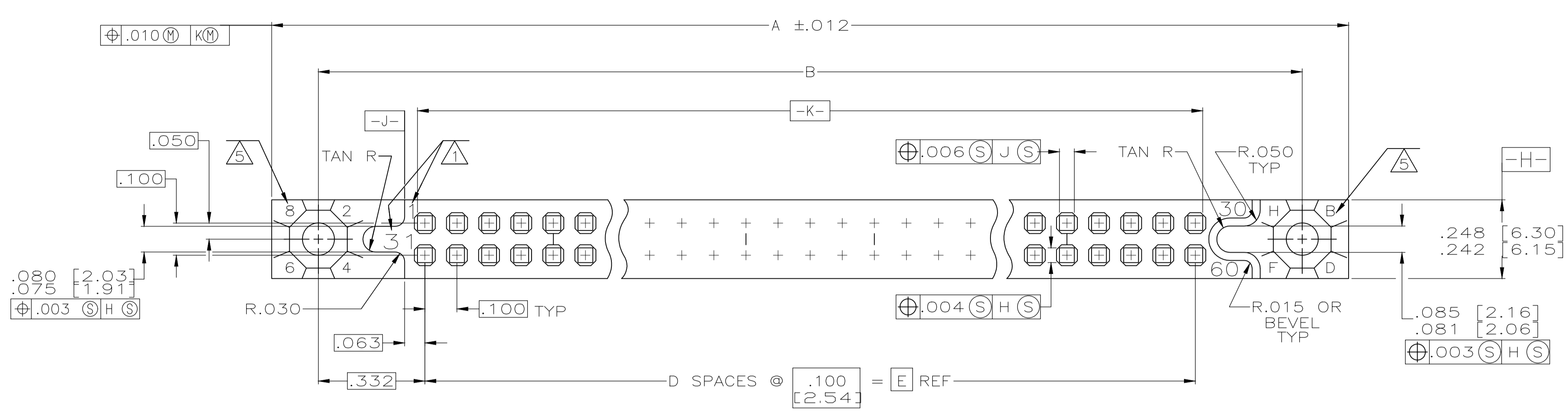
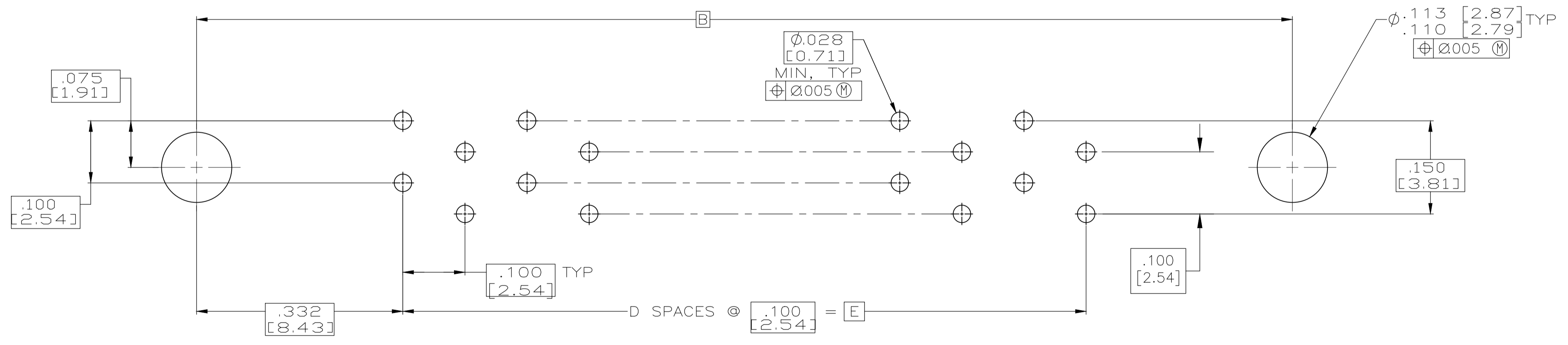
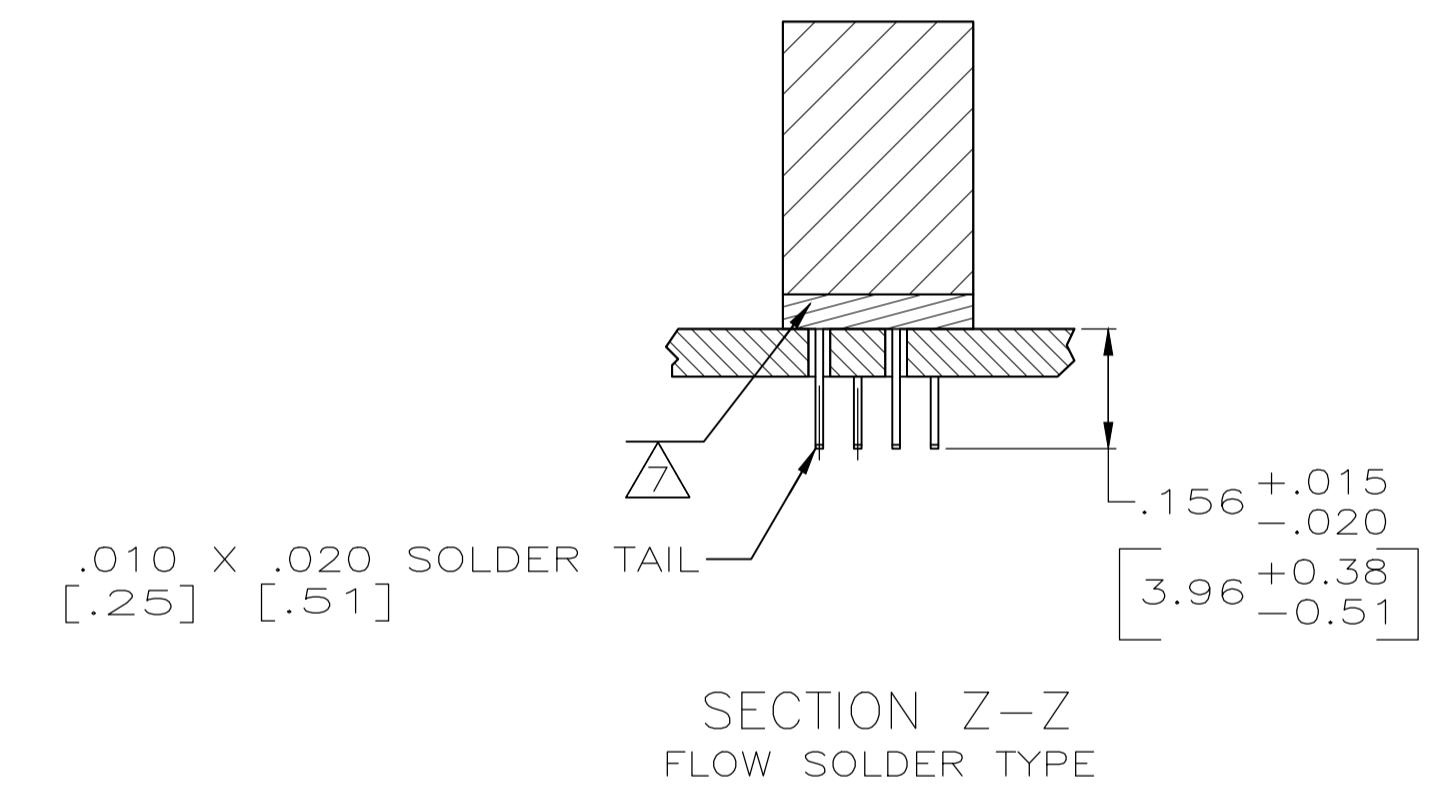
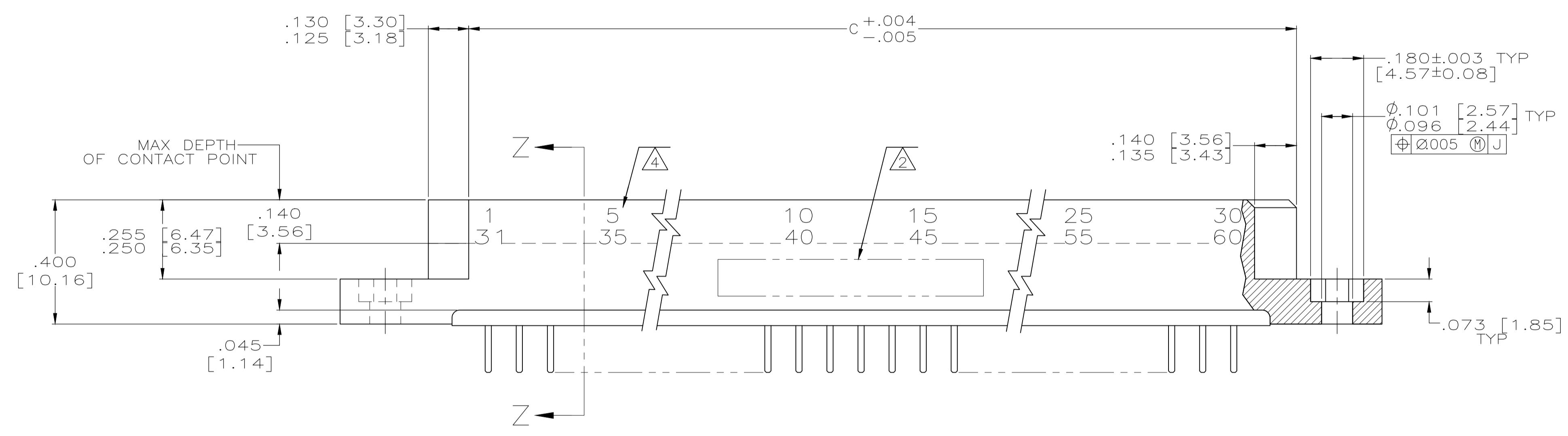


REVISIONS				
P	LTR	DESCRIPTION	DATE	OWN
K	REV PER ECO	19-006993	5-7-19	CT RL



- 1. NUMBERS AND LINES INDICATING EVERY FIVE CAVITIES TO BE MARKED OR MOLDED WITH .062 HIGH CHARACTERS PER TEC SPEC 115-1105.
- 2. CUSTOMER PART NUMBER, AMP, DATE CODE AND AMP PART NUMBER MARKED IN THIS AREA.
- 3. MEETS ALL APPLICABLE REQUIREMENTS OF MIL-C-55302.
- 4. NUMBERS INDICATING EVERY FIVE CAVITIES MARKED ON SIDE.
- 5. KEY POSITION IDENTIFICATIONS MOLDED ON SURFACES SHOWN.
- 6. CONTACT FINISH: .000050 [0.001270] GOLD IN CONTACT AREA .000100 [0.0025400] MIN TIN-LEAD ON SOLDER TAILS. ALL OVER .000030 [0.000762] - .000150 [0.00381] NICKEL.
- 7. GASKET ADDED TO BOTTOM OF HOUSING.
- 8. CONTACT MATERIAL: BERYLLIUM COPPER (BeCu) OR COPPER NICKEL SILICONE (CuNiSi)



CONNECTOR SIDE RECOMMENDED P.C. BOARD LAYOUT

MILITARY PART NUMBER	CONTACT IDENT. NUMBERS	E	D	C	B	A	NO OF POSN	PART NUMBER	
M55302/27-189	1,55,56,100	5.400	[137.16]	54	5.665 [143.89]	6.065 [154.05]	6.355 [161.42]	110	530882-9
M55302/27-188	1,50,51,100	4.900	[124.46]	49	5.165 [131.19]	5.565 [141.35]	5.855 [148.72]	100	530882-8
M55302/27-187	1,45,46,90	4.400	[111.76]	44	4.665 [118.49]	5.065 [128.65]	5.355 [136.02]	90	530882-7
M55302/27-186	1,40,41,80	3.900	[99.06]	39	4.165 [105.79]	4.565 [115.95]	4.855 [123.32]	80	530882-6
M55302/27-185	1,35,36,70	3.400	[86.36]	34	3.665 [93.09]	4.065 [103.25]	4.355 [110.62]	70	530882-5
M55302/27-184	1,30,31,60	2.900	[73.66]	29	3.165 [80.39]	3.565 [90.55]	3.855 [97.92]	60	530882-4
M55302/27-183	1,25,26,50	2.400	[60.96]	24	2.665 [67.69]	3.065 [77.85]	3.355 [85.22]	50	530882-3
M55302/27-182	1,20,21,40	1.900	[48.26]	19	2.165 [54.99]	2.565 [65.15]	2.855 [72.52]	40	530882-2
M55302/27-181	1,15,16,30	1.400	[35.56]	14	1.665 [42.29]	2.065 [52.45]	2.355 [59.82]	30	530882-1

THIS DRAWING IS A CONTROLLED DOCUMENT. **STE** TE Connectivity

APPROVED: P. YEAGER 21MAR07, D. MILLER 3-18-05, D. MILLER 3-18-05

NAME: RCPT ASSY, 1000 SERIES BOX, SEALED W/ .010 X .020 POSTS & EXTERNAL KEYING

APPLICATION SPEC: PRODUCT SPEC

SIZE: A1, CAGE CODE: 00779, DRAWING NO: 530882

WEIGHT: 0.000000, SCALE: 4:1, SHEET: 1 OF 1, REV: K

单击下面可查看定价，库存，交付和生命周期等信息

[>>TE Connectivity\(泰科\)](#)