

REVISIONS					
P	LTR	DESCRIPTION	DATE	DWN	APVD
	AM	ECO-20-004897	24AUG2020	SB	JB

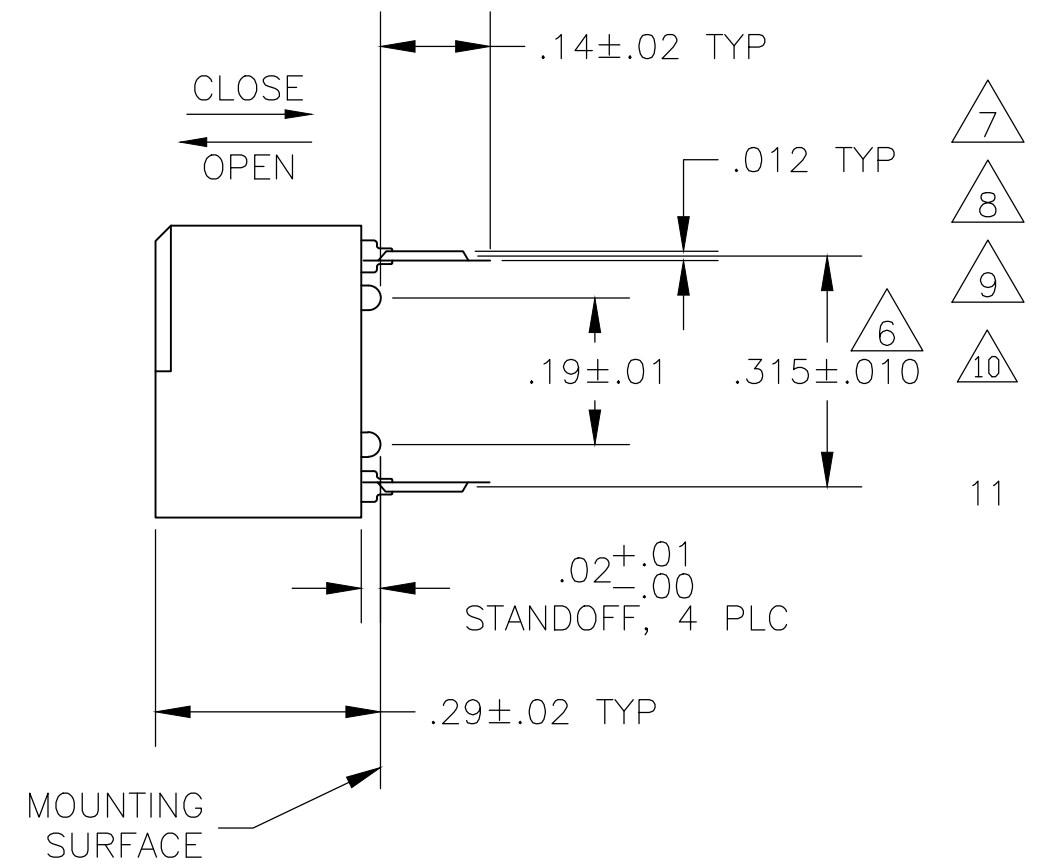
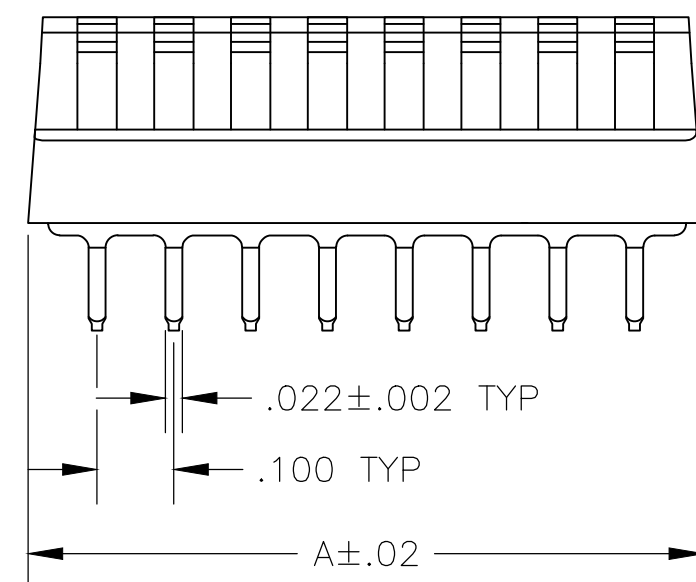
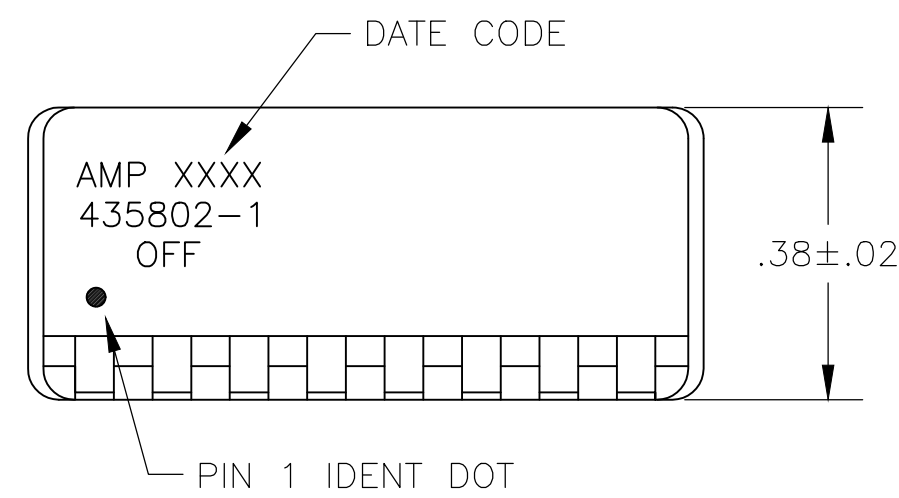
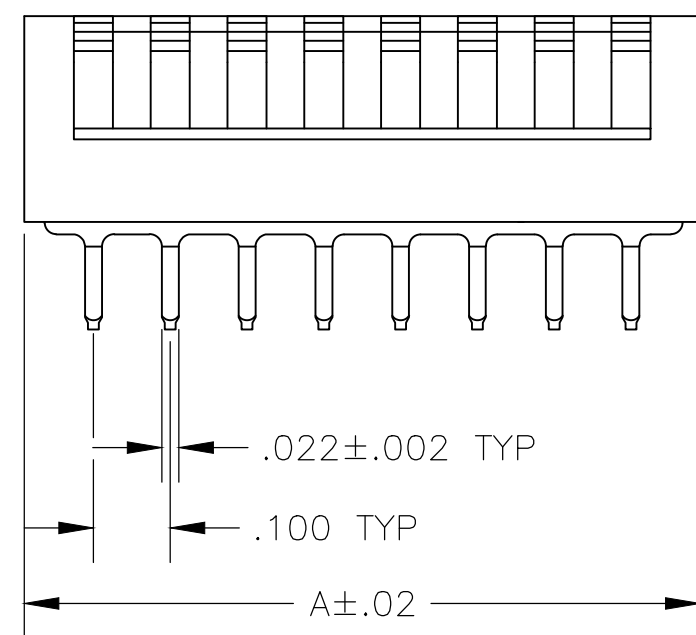
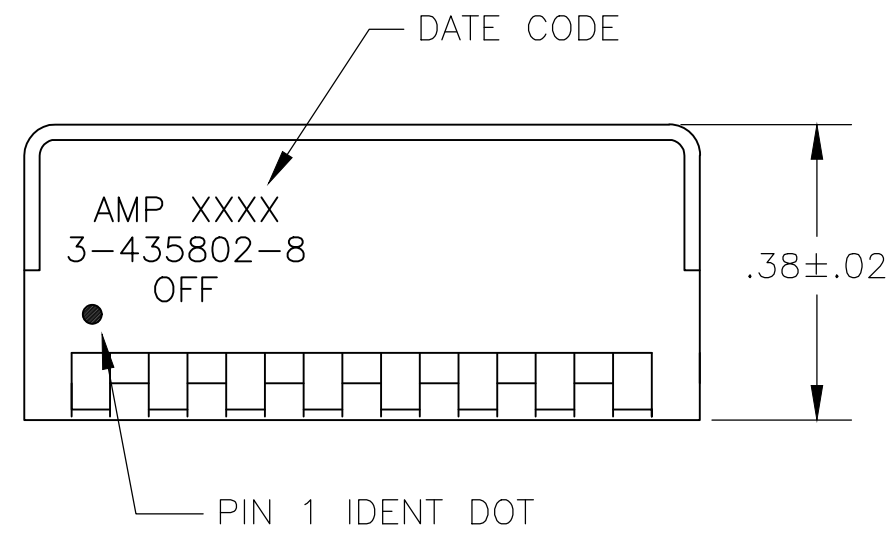


FIG 1

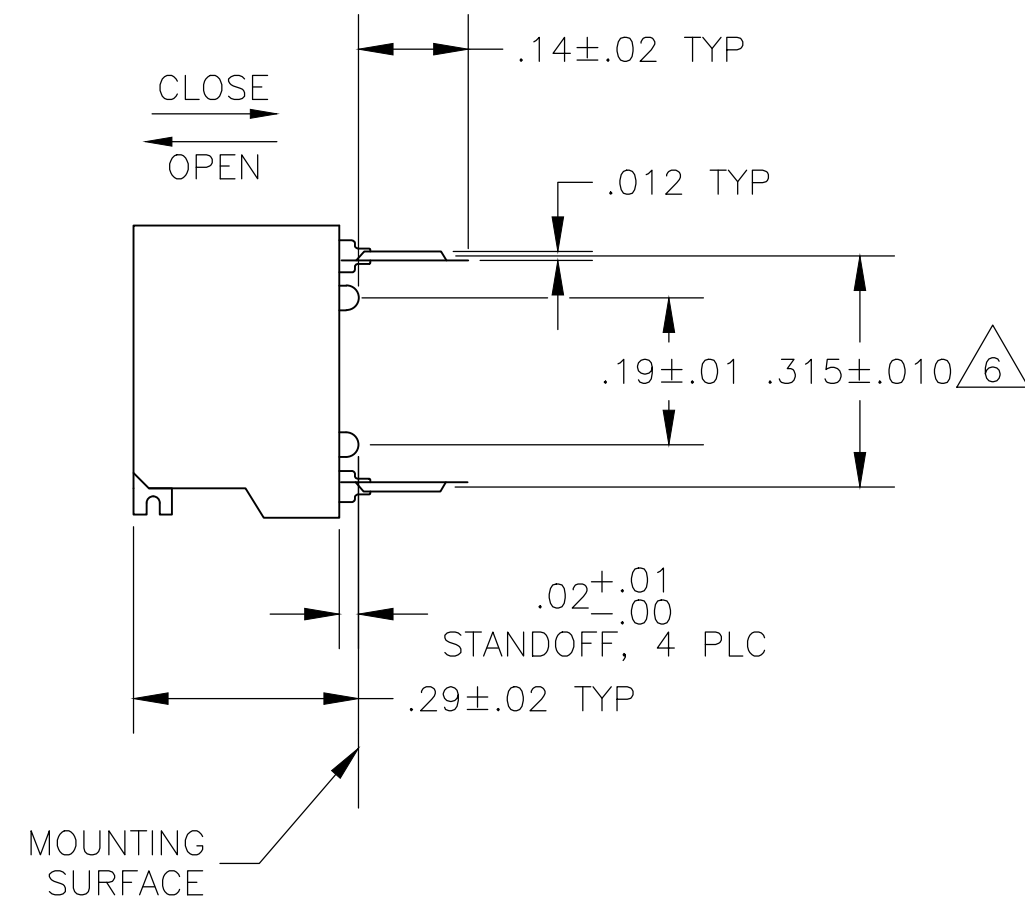
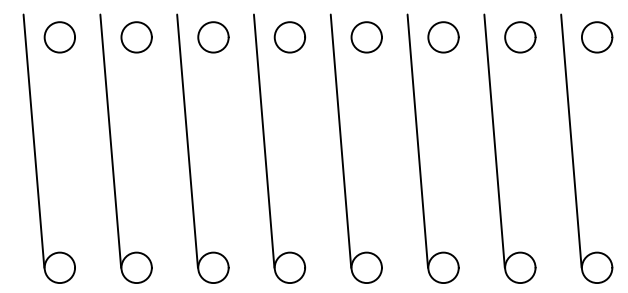


FIG 2

- △7 NO POSITION MARKING.
- △8 NO PART NO. MARKING.
- △9 STRIPPABLE TAPE SEAL, SEE FIGURE 8.
- △10 OBSOLETE PARTS: OBSOLETE CIS STREAMLINING PER D.RENAUD/D.SINISI
- 11 MARKS WILL BE ADDED BY LASER MARK PROCESS.

- 1 FOR ADDITIONAL SPECIFICATIONS SEE AMP PRODUCT SPEC 108-7519.
- 2 SWITCH SHOWN IN OPEN POSITION.
- 3 ALL CHARACTERS AND ROCKERS ARE WHITE, HOUSING IS BLACK.
- 4 LASER MARKING WILL VARY ON 2 AND 3 POSITION TOPS DUE TO SPACE RESTRICTIONS.
- △5 STRIPPABLE TRANSPARENT SEAL, SEE FIG 6.
- △6 .315 DIMENSION APPLIES AT TERMINAL TIPS. TERMINALS ARE .300^{+.010}_{-.000} AT MOUNTING SURFACE.

FIG	FIG 3A& 7	△	1.08	10	6-435802-3
FIG 1	FIG 3B	△9	.88	8	3-435802-8
△10 SUPSD BY 1-435802-6	△10 OBSOLETE	△5	.58	5	3-435802-1
△10 SUPSD BY 2-5435802-9	△10 SUPSD BY 1-435802-0	△5	.88	8	3-435802-0
△10 SUPSD BY 1-435802-0	△10 SUPSD BY 2-5435802-9	△5	.48	4	2-435802-9
△10 SUPSD BY 1-435802-0	△10 SUPSD BY 1-435802-0	△5	.28	2	2-435802-8
OBSOLETE	FIG 1	△7	.28	2	2-435802-7
OBSOLETE	FIG 2	△7	1.08	10	2-435802-6
OBSOLETE	FIG 2	△7	.88	8	2-435802-5
OBSOLETE	FIG 2	△7	.88	8	2-435802-4
OBSOLETE	FIG 2	△7	.48	4	2-435802-3
FIG 2	FIG 3A& 5	△5	1.28	12	2-435802-2
FIG 2	FIG 2	△5	1.18	11	2-435802-1
FIG 2	FIG 2	△5	1.08	10	2-435802-0
FIG 2	FIG 2	△5	.98	9	1-435802-9
FIG 2	FIG 3A	△5	.78	7	1-435802-8
FIG 2	FIG 2	△5	.68	6	1-435802-7
FIG 2	FIG 2	△5	.58	5	1-435802-6
FIG 2	FIG 2	△5	.48	4	1-435802-5
FIG 2	FIG 2	△5	.38	3	1-435802-4
△10 SUPSD BY 435802-2	△10 SUPSD BY 3-1437590-2	△10 OBSOLETE	.28	2	1-435802-3
△10 SUPSD BY 435802-2	△10 SUPSD BY 3-1437590-2	△10 OBSOLETE	1.28	12	1-435802-2
△10 SUPSD BY 435802-2	△10 SUPSD BY 3-1437590-2	△10 OBSOLETE	.28	2	1-435802-0
△10 SUPSD BY 435802-2	△10 SUPSD BY 3-1437590-2	△10 OBSOLETE	.88	8	435802-9
△10 SUPSD BY 435802-2	△10 SUPSD BY 3-1437590-2	△10 OBSOLETE	1.08	10	435802-8
△10 SUPSD BY 435802-2	△10 SUPSD BY 3-1437590-2	△10 OBSOLETE	.98	9	435802-7
△10 SUPSD BY 435802-2	△10 SUPSD BY 3-1437590-2	△10 OBSOLETE	.78	7	435802-6
△10 SUPSD BY 435802-2	△10 SUPSD BY 3-1437590-2	△10 OBSOLETE	.68	6	435802-5
△10 SUPSD BY 435802-2	△10 SUPSD BY 3-1437590-2	△10 OBSOLETE	.58	5	435802-4
△10 SUPSD BY 435802-2	△10 SUPSD BY 3-1437590-2	△10 OBSOLETE	.48	4	435802-3
△10 SUPSD BY 435802-2	△10 SUPSD BY 3-1437590-2	△10 OBSOLETE	.38	3	435802-2
△10 SUPSD BY 435802-2	△10 SUPSD BY 3-1437590-2	△10 OBSOLETE	.88	8	435802-1
HOUSING	MARKING	PROTECTIVE SEAL	A	NO OF POSN	PART NO.

435802-1 SHOWN

THIS DRAWING IS A CONTROLLED DOCUMENT.		DWN R. TALLEY 9-19-89	TE Connectivity Ltd.	
DIMENSIONS: INCHES		CHK R. MILLER 9-19-89		
TOLERANCES UNLESS OTHERWISE SPECIFIED:		APVD H. LEITER 9-19-89	NAME SWITCH ASSY, DIP, TYPE C, 7000 SERIES, SPST, SIDE ACTUATED	
0 PLC ± -		PRODUCT SPEC	SIZE A2	
1 PLC ± -		APPLICATION SPEC	CAGE CODE 00779	DRAWING NO C=435802
2 PLC ± -		WEIGHT	RESTRICTED TO	SCALE 4:1
3 PLC ± .005		CUSTOMER DRAWING	SHEET 1 of 2	REV AM
4 PLC ± -				
ANGLES ± -				
MATERIAL HOUSING & ROCKERS: POLYESTER CONTACTS: BERYLLIUM COPPER		FINISH CONTACTS: PLATED .000030 MIN GOLD IN CONTACT AREA OVER .000050 MIN NICKEL		

REVISIONS					
P	LTR	DESCRIPTION	DATE	DWN	APVD
-	-	SEE SHEET 1	-	-	-

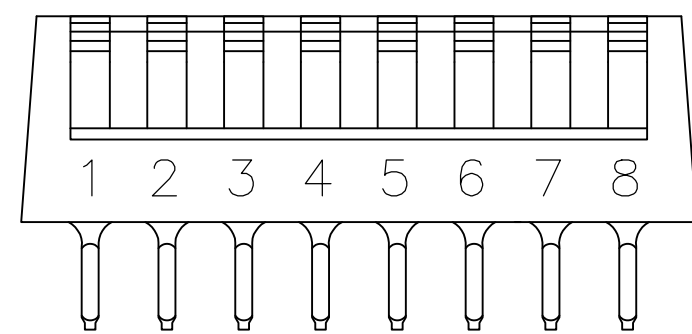


FIG 3A

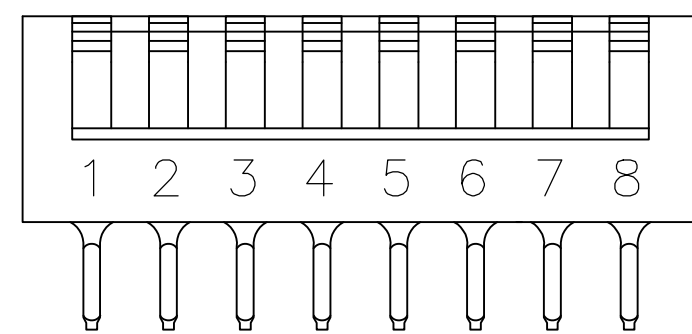


FIG 3B

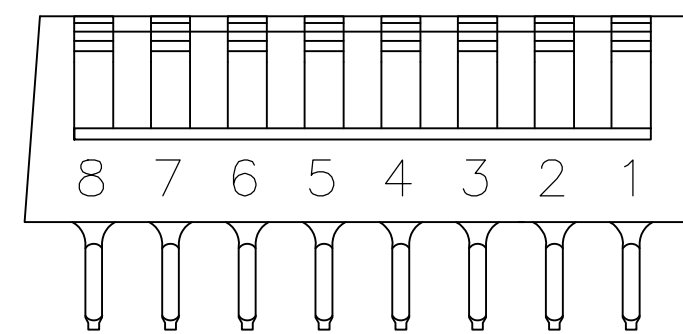


FIG 4

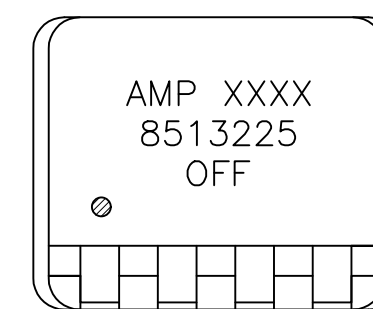
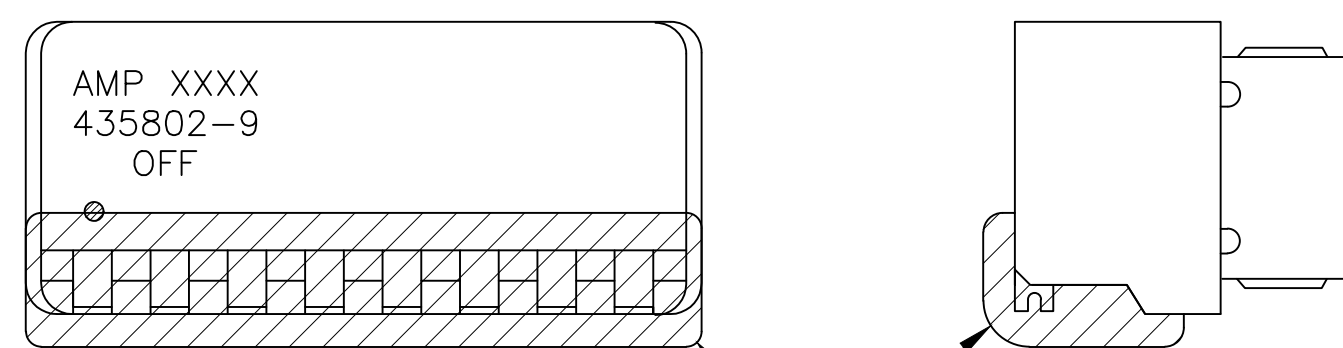
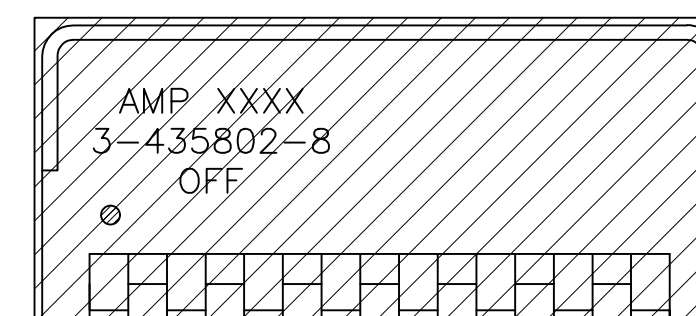


FIG 5



PROTECTIVE SEAL
FIG 6



PROTECTIVE SEAL

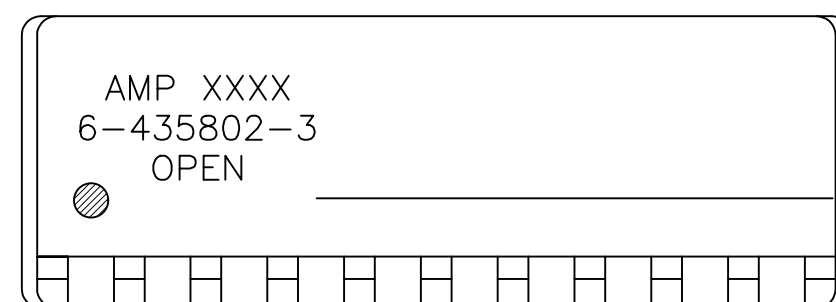


FIG 7

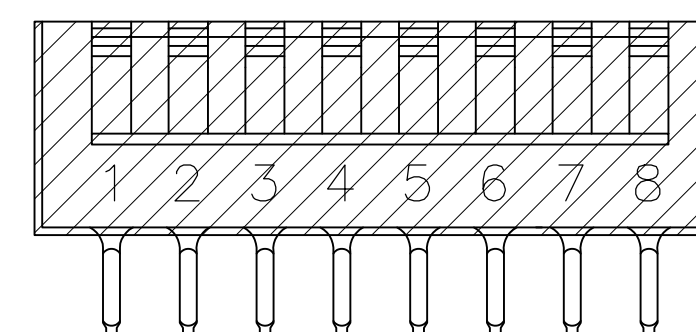


FIG 8

THIS DRAWING IS A CONTROLLED DOCUMENT.		DWN R. TALLEY 9-19-89	TE Connectivity Ltd.		
DIMENSIONS: INCHES		CHK R. MILLER 9-19-89			
TOLERANCES UNLESS OTHERWISE SPECIFIED:		APVD H. LEITER 9-19-89	NAME SWITCH ASSY, DIP, TYPE C, 7000 SERIES, SPST, SIDE ACTUATED		
0 PLC ± - 1 PLC ± - 2 PLC ± - 3 PLC ± .005 4 PLC ± - ANGLES ± -		PRODUCT SPEC -	SIZE A2	CAGE CODE 00779	DRAWING NO C=435802
MATERIAL SEE SHEET 1		FINISH SEE SHEET 1	WEIGHT -	SCALE 4:1	SHEET 2 OF 2
CUSTOMER DRAWING			RESTRICTED TO -	REV AM	

单击下面可查看定价，库存，交付和生命周期等信息

[>>TE Connectivity\(泰科\)](#)