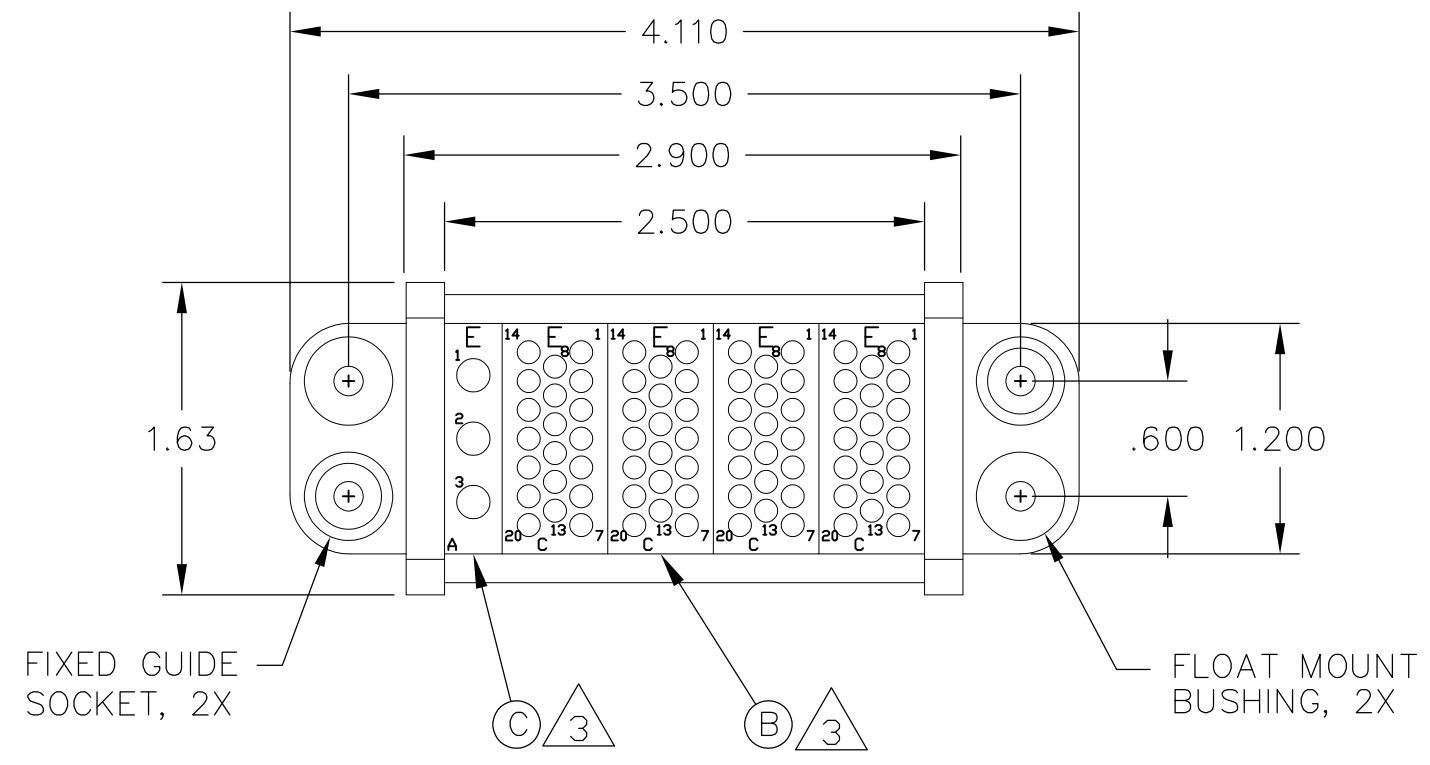


THIS DRAWING IS UNPUBLISHED. RELEASED FOR PUBLICATION  
 © COPYRIGHT - BY TYCO ELECTRONICS CORPORATION. ALL RIGHTS RESERVED.

LOC GP	DIST 00	REVISIONS			
P	LTR	DESCRIPTION	DATE	DWN	APVD
	A	NEW RELEASE	25APR07	RG	DO



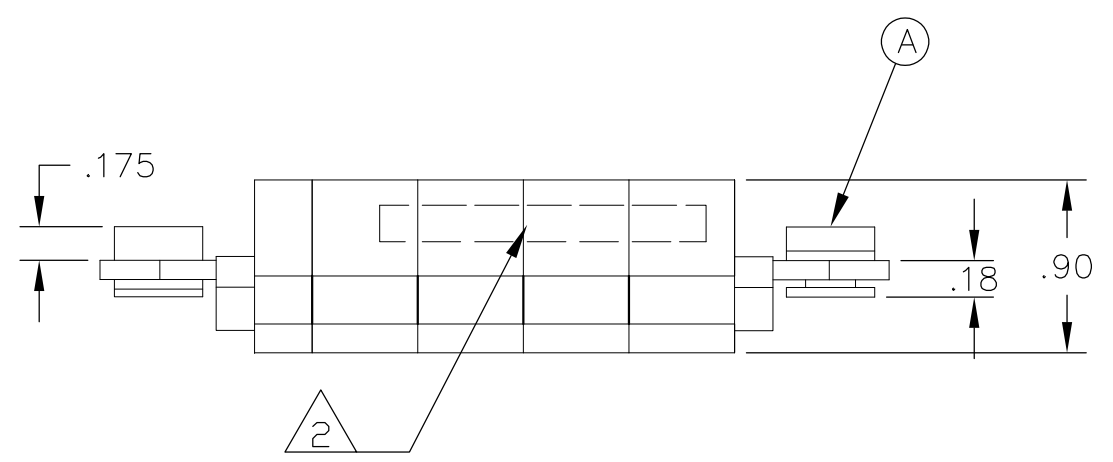
1. PART NUMBER CHANGES AND/OR DESIGN CHANGES AFFECTING ITEM INTERCHANGEABILITY REQUIRE PRIOR TYCO APPROVAL AND AUTHORIZATION BY REVISION TO THIS DRAWING.

2. ITEMS PROVIDED TO THIS SPECIFICATION TO BE PERMANENTLY IDENTIFIED PER THE FOLLOWING IDENTIFIER:

YEAR WEEK  
 TYCO PART NUMBER DATE CODE (e.g. 0212)  
 XXXXXXXX-X XXXX

3. MODULES NOTED ARE CRIMP REMOVABLE STYLE CONTACTS. THIS ASSEMBLY DOES NOT INCLUDE SOCKET CONTACTS. PROPER CONTACT ORDERING AND SELECTION SHALL BE THE RESPONSIBILITY OF THE CUSTOMER.

4. MOUNTING FLANGES BUSHING ACCEPT 6/32 SCREW (Ø.156 CLEARANCE HOLE, FLOAT MOUNT) OR 8/32 SCREW (Ø.173 CLEARANCE HOLE, FIXED MOUNT), USER SUPPLIED.

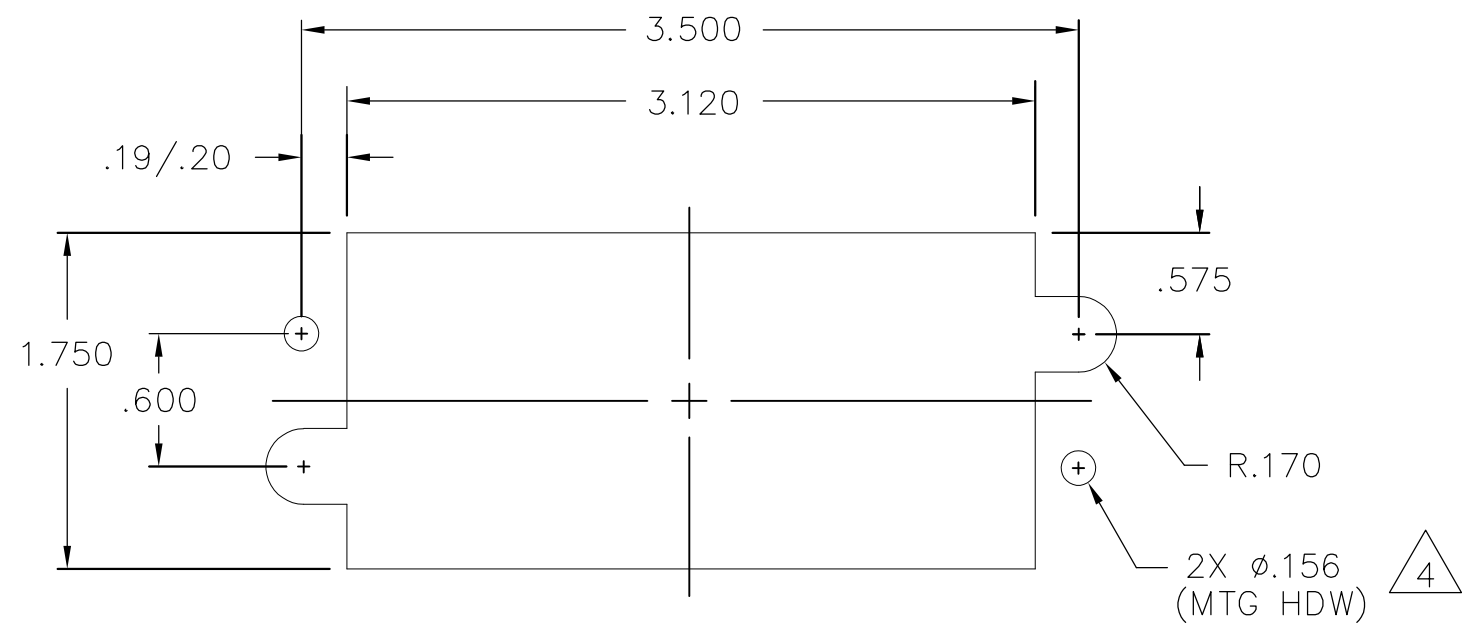


1	1648466-1	MODULE A	C
4	1648468-1	MODULE C	B
2	6648252-1	END CAP, GUIDE SOCKET, FLOAT	A
-1	PART NUMBER	DESCRIPTION	ITEM

THIS DRAWING IS A CONTROLLED DOCUMENT.		DWN R.GRZYBOWSKI 25APR2007	Tyco Electronics Corporation Harrisburg, PA 17105-3608		
DIMENSIONS: INCHES		CHK D.ORRIS 25APR07	NAME S.FLICKINGER		
TOLERANCES UNLESS OTHERWISE SPECIFIED:		APVD S.FLICKINGER 25APR07	PRODUCT SPEC -		
0 PLC ± -		APPLICATION SPEC -			
1 PLC ± -		SIZE A3			
2 PLC ± .02		CAGE CODE 00779			
3 PLC ± .010		DRAWING NO G-6646118			
4 PLC ± -		RESTRICTED TO -			
ANGLES ± -		WEIGHT -			
MATERIAL -		FINISH -			
		CUSTOMER DRAWING		SCALE 1:1	SHEET 1 OF 2
				REV A	

THIS DRAWING IS UNPUBLISHED. RELEASED FOR PUBLICATION  
 © COPYRIGHT - BY TYCO ELECTRONICS CORPORATION. ALL RIGHTS RESERVED.

LOC	DIST	REVISIONS			
P	LTR	DESCRIPTION	DATE	DWN	APVD
GP	00	SEE SHEET 1	-	-	-



SOCKET PANEL MOUNT CUTOUT  
 SCALE: NONE

THIS DRAWING IS A CONTROLLED DOCUMENT.		DWN R.GRZYBOWSKI 25APR2007	Tyco Electronics Corporation Harrisburg, PA 17105-3608														
DIMENSIONS: INCHES		CHK D.ORRIS 25APR07	NAME SOCKET CONNECTOR DOMINO W/ PANEL CUT-OUT														
TOLERANCES UNLESS OTHERWISE SPECIFIED:		APVD S.FLICKINGER 25APR07	PRODUCT SPEC APPLICATION SPEC														
<table border="1"> <tr><td>0 PLC</td><td>± -</td></tr> <tr><td>1 PLC</td><td>± -</td></tr> <tr><td>2 PLC</td><td>± .02</td></tr> <tr><td>3 PLC</td><td>± .010</td></tr> <tr><td>4 PLC</td><td>± -</td></tr> <tr><td>ANGLES</td><td>± -</td></tr> </table>		0 PLC	± -	1 PLC	± -	2 PLC	± .02	3 PLC	± .010	4 PLC	± -	ANGLES	± -	WEIGHT -	SIZE A3	CAGE CODE 00779	DRAWING NO G-6646118
0 PLC	± -																
1 PLC	± -																
2 PLC	± .02																
3 PLC	± .010																
4 PLC	± -																
ANGLES	± -																
MATERIAL -		CUSTOMER DRAWING		RESTRICTED TO -	SCALE 1:1												
				SHEET 2 OF 2	REV A												

单击下面可查看定价，库存，交付和生命周期等信息

[>>TE Connectivity\(泰科\)](#)