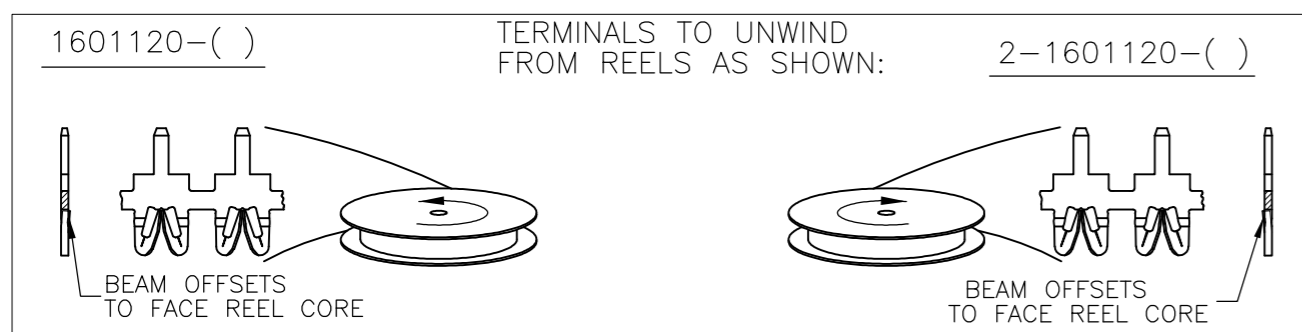
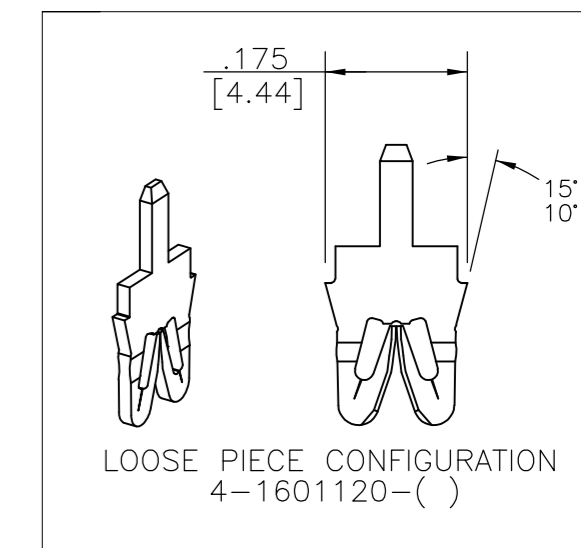
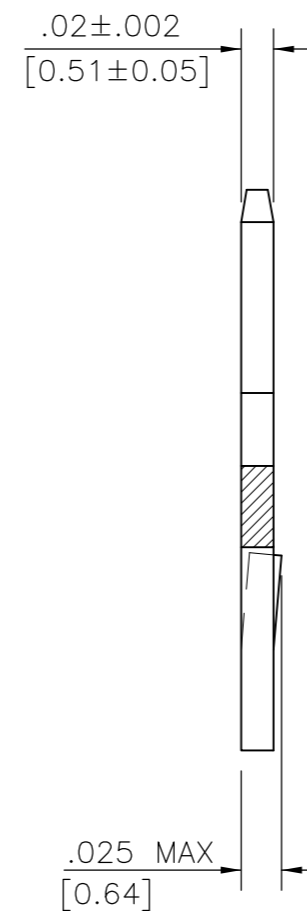
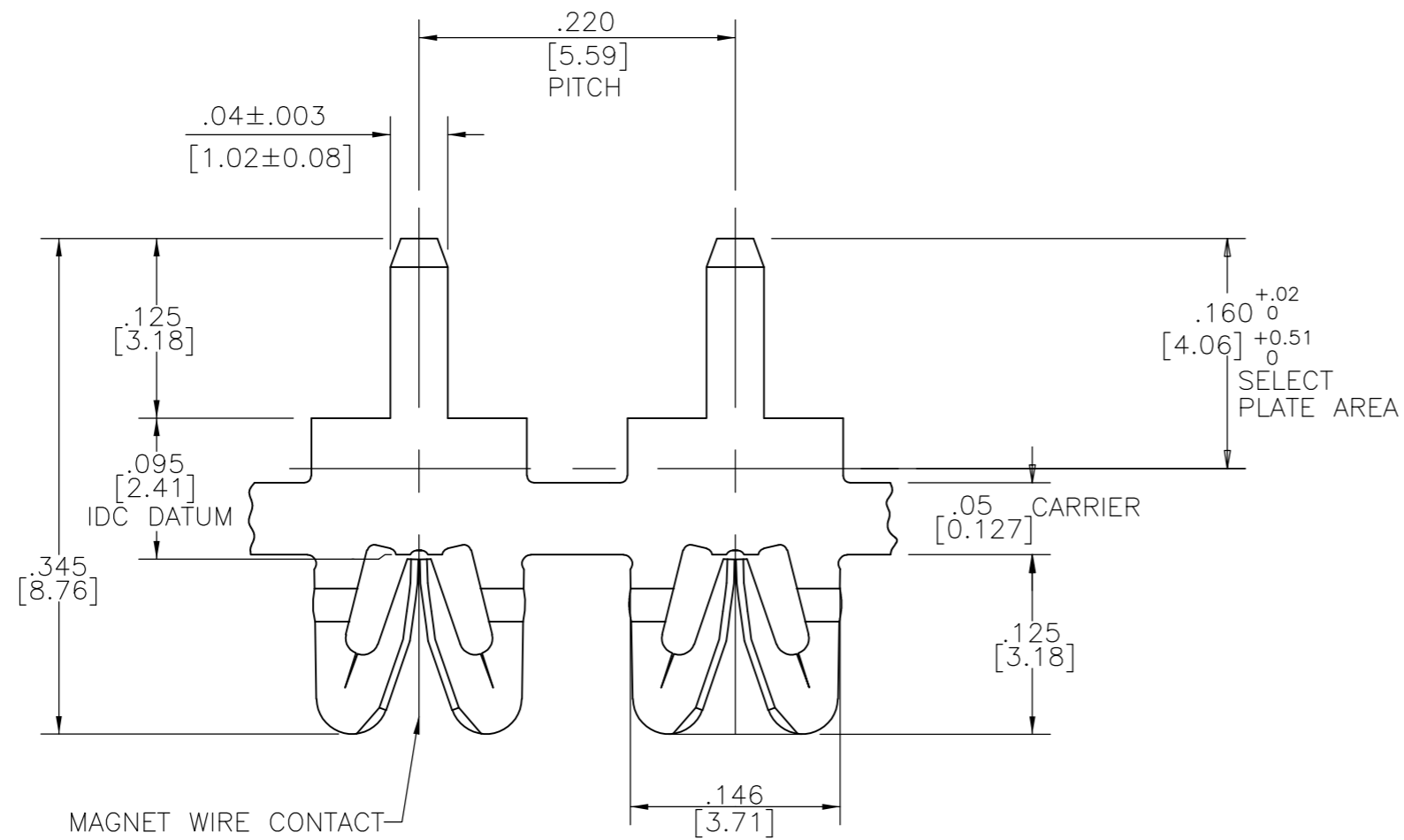


THIS DRAWING IS UNPUBLISHED. RELEASED FOR PUBLICATION  
 © COPYRIGHT - TE Connectivity ALL RIGHTS RESERVED.

REVISIONS				
P	LTR	DESCRIPTION	DATE	DWN APVD
E2		REVISED PER ECR-17-013073	14SEP2017	JH PKS

- SPECIFICATIONS:  
 MAGNET WIRE #27 - #36 AWG,  
 0.38mm (.015") - 0.13 (.005") DIA. COPPER  
 OTHER SIZES MAY BE ACCOMMODATED,  
 CONSULT TYCO ELECTRONICS FOR APPROVAL.
  - POCKET RECOMMENDATION: #1601424
- 3 TERMINAL APPLICATION TO COMPLY WITH  
 TYCO ELECTRONICS SPECIFICATION 114-13166  
 FIGURE 5.



	SELECTIVE TIN PLATE OVER NICKEL	---	4-1601120-4
OBSOLETE	SELECTIVE POST TIN-LEAD PLATE OVER NICKEL	050-011-119	4-1601120-2
	SELECTIVE TIN PLATE OVER NICKEL	---	2-1601120-4
OBSOLETE	SELECTIVE POST TIN-LEAD PLATE OVER NICKEL	150-012-119	2-1601120-2
	UNPLATED	150-012-000	2-1601120-1
	SELECTIVE TIN PLATE OVER NICKEL	---	1601120-4
SUPERSEDED	SELECTIVE POST TIN-LEAD PLATE OVER NICKEL	150-011-019	1601120-3
OBSOLETE	SELECTIVE POST TIN-LEAD PLATE OVER NICKEL	150-011-119	1601120-2
	UNPLATED	150-011-000	1601120-1
	FINISH	REFERENCE P/N	TYCO PART NUMBER

THIS DRAWING IS A CONTROLLED DOCUMENT.		DWN J.WELLER 11JAN2002		
DIMENSIONS: INCHES		CHK M.FEHER 11JAN2002		
TOLERANCES UNLESS OTHERWISE SPECIFIED:		APVD K.RANDOLPH 11JAN2002	NAME	
0 PLC ± -		PRODUCT SPEC	FINE RANGE WIRE TO .040 X .020	
1 PLC ± -		APPLICATION SPEC	P.C.B. SIAMEZE TERMINAL	
2 PLC ± .01[0.25]		108-2244	-	
3 PLC ± .005[0.13]		3	SIZE	CAGE CODE
4 PLC ± -			A2	00779
ANGLES ± 2°		WEIGHT	DRAWING NO	RESTRICTED TO
MATERIAL BRASS, SPRING HARD		0.000000	C=1601120	-
FINISH SEE TABLE		CUSTOMER DRAWING	SCALE 1:3	SHEET 1 OF 1
			REV E2	

单击下面可查看定价，库存，交付和生命周期等信息

[>>TE Connectivity\(泰科\)](#)