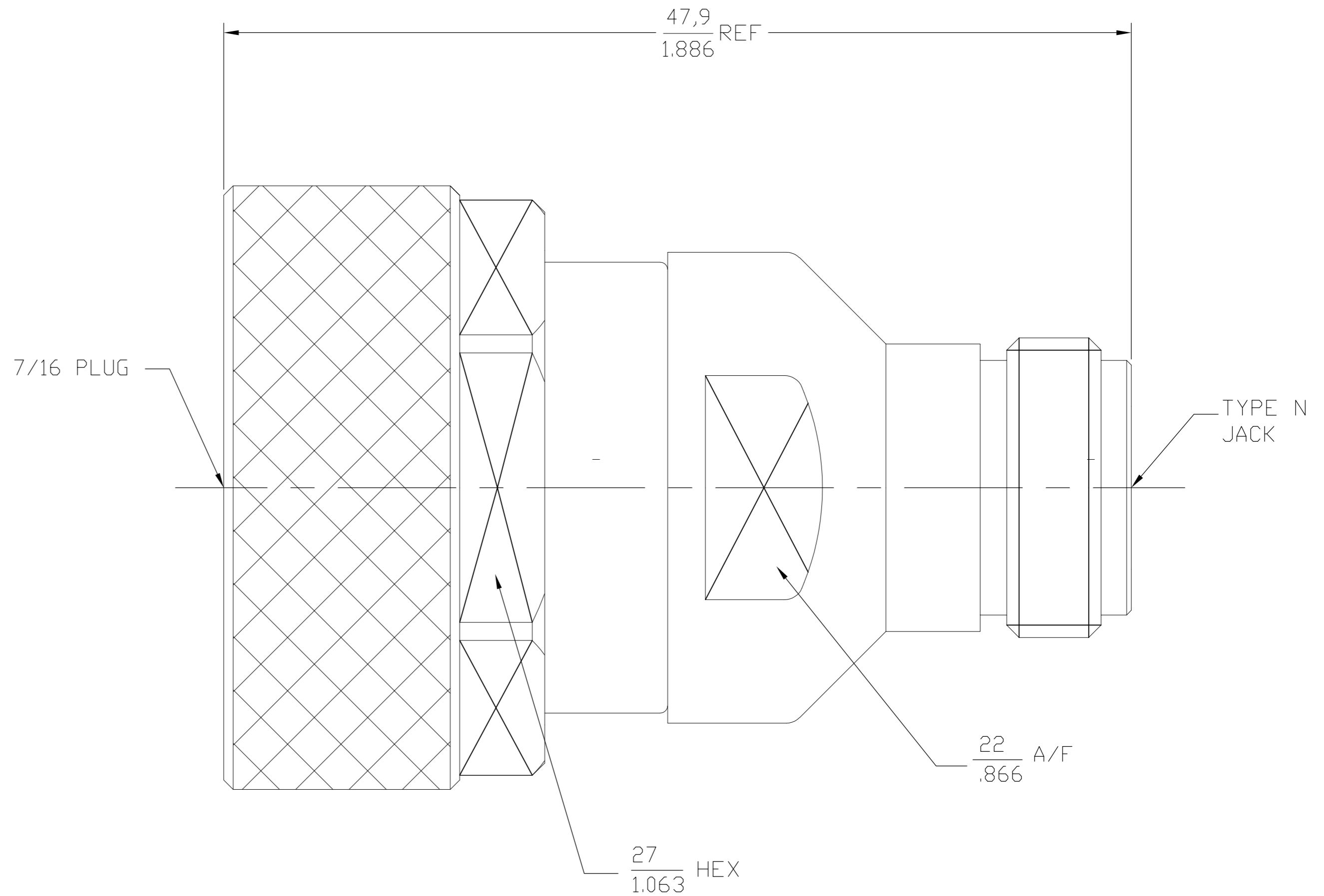
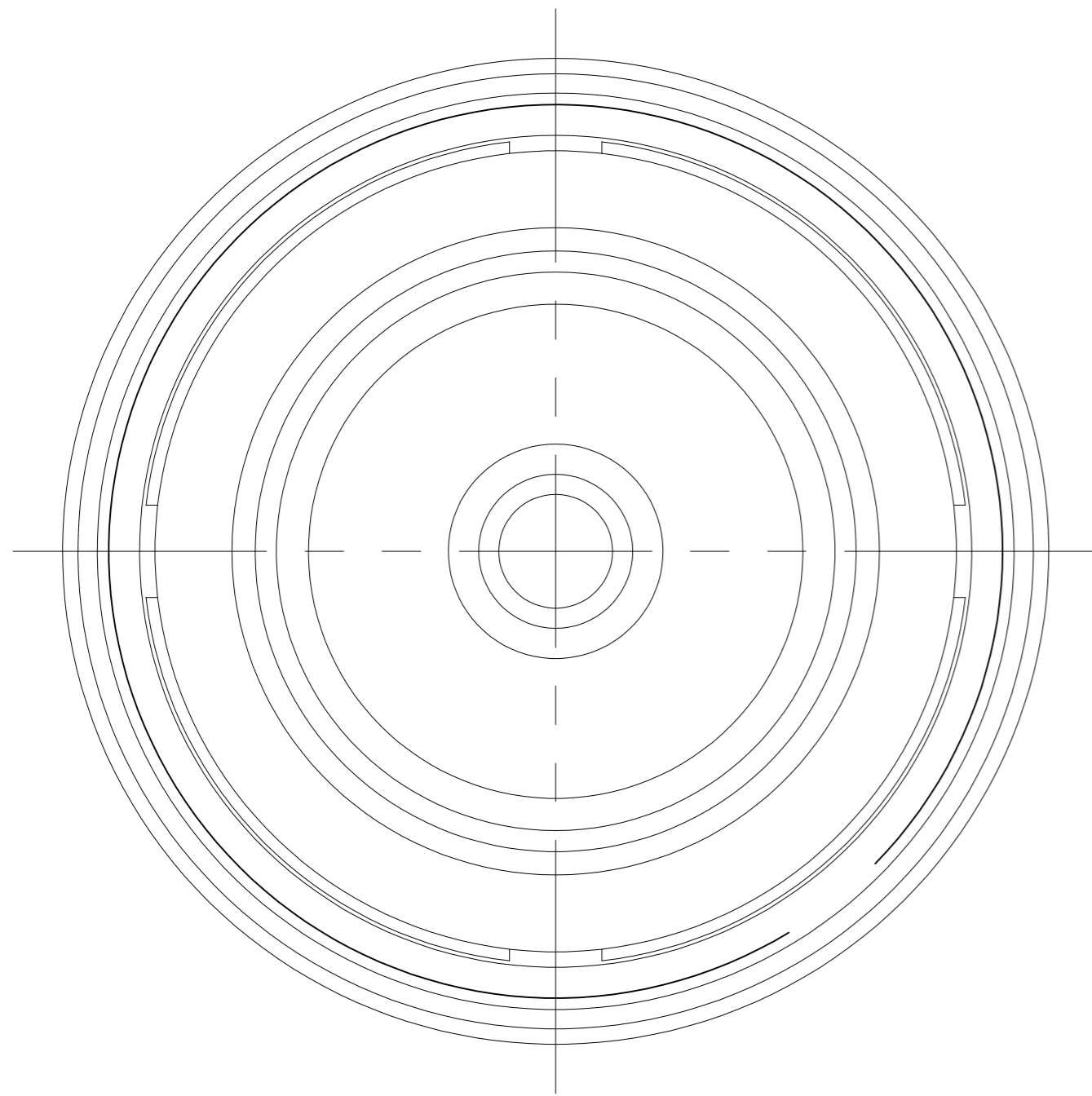


THIS DRAWING IS UNPUBLISHED. RELEASED FOR PUBLICATION
 © COPYRIGHT - By - ALL RIGHTS RESERVED.

LOC		DIST		REVISIONS			
P	LTR	DESCRIPTION		DATE	DWN	APVD	
HC	00	A	ECR-12-005726	27MAR12	RK	MY	



COMPONENT	MATERIAL	FINISH
JACK HOUSING PLUG HOUSING COUPLING NUT	BRASS PER ASTM-B-16, 1/2 HD	INCH WHITE BRONZE
MALE CONTACT	BRASS PER ASTM-B-16, 1/2 HD	SILVER PER QQ-S-365
FEMALE CONTACT	BERYLLIUM COPPER PER ASTM-B-196	
GASKET	SILICONE RUBBER PER ZZ-R-765	N/A
DIELECTRICS	PTFE PER ASTM-D-1457	

1314596-1
PART #

THIS DRAWING IS A CONTROLLED DOCUMENT.		DWN VM	08-16-01	TE TE Connectivity	
DIMENSIONS: mm [INCHES]		CHK -	-		
TOLERANCES UNLESS OTHERWISE SPECIFIED:		APVD DCam	6/6/03	NAME TYPE N JACK RO 7/16 PLUG ADAPTER	
±.127 MM ±.005 IN		PRODUCT SPEC -	-	SIZE A2	
ANGLES FINISH		APPLICATION SPEC -	-	CAGE CODE 26805	DRAWING NO 1314596
MATERIAL -		WEIGHT -	-	RESTRICTED TO -	SCALE 5:1
		CUSTOMER DRAWING		SHEET 1 of 1	REV A

单击下面可查看定价，库存，交付和生命周期等信息

[>>TE Connectivity\(泰科\)](#)