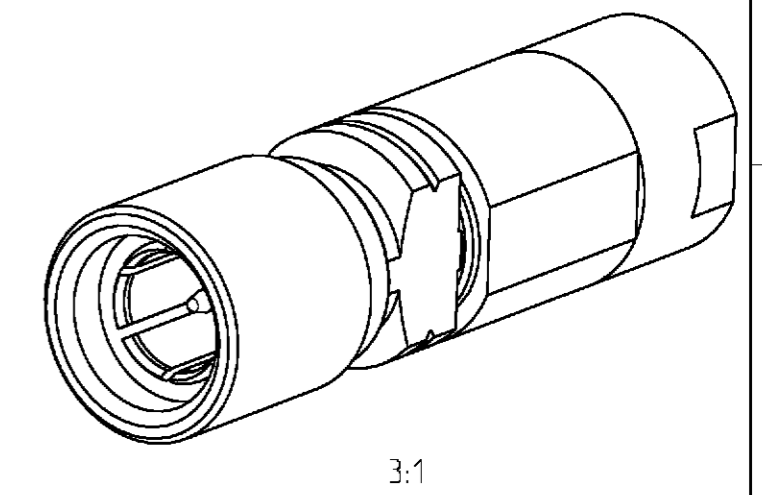
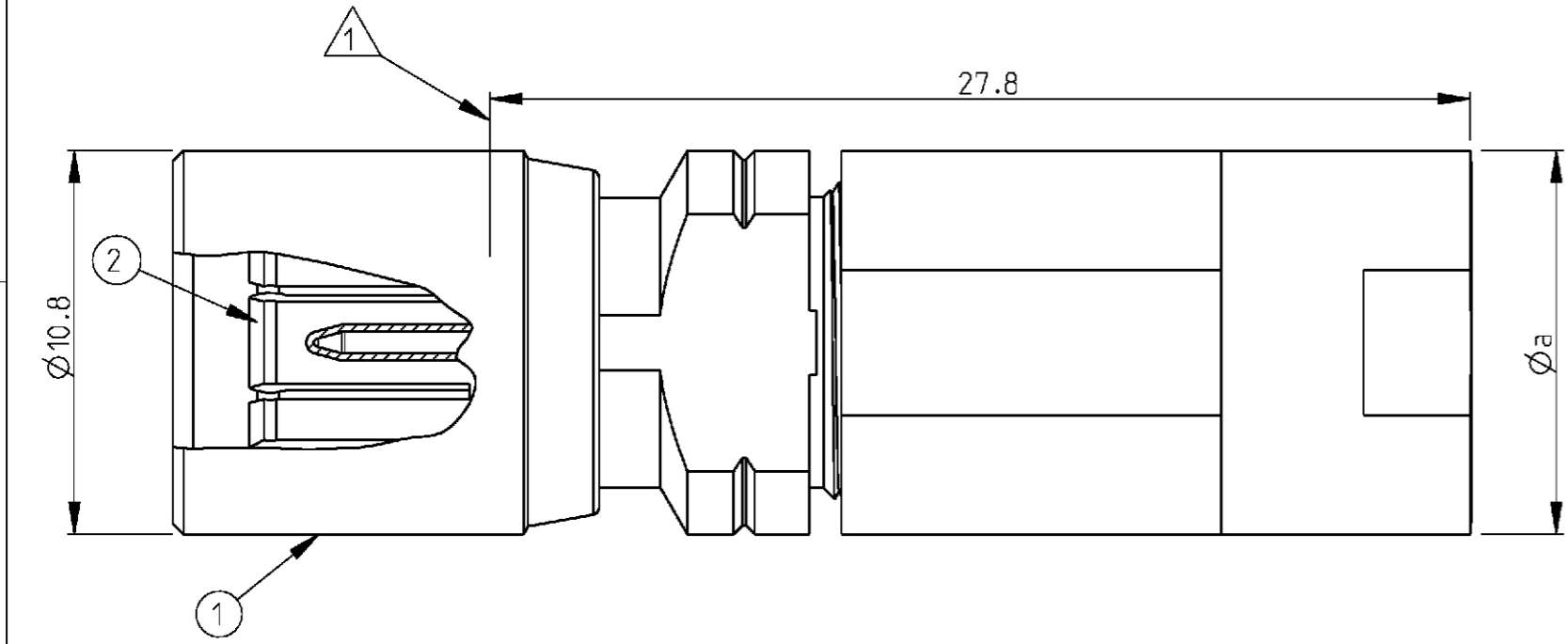


THIS DRAWING IS UNPUBLISHED. RELEASED FOR PUBLICATION 2000
 © COPYRIGHT 2000 BY TYCO ELECTRONICS CORPORATION. ALL RIGHTS RESERVED.

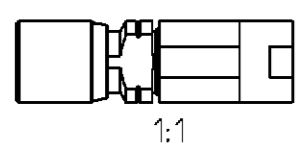
LOC	DIST	REVISIONS				
P	LTR	DESCRIPTION	DATE	DWN	APVD	
GW	-					
	A	-	05APR2001	BL	KM	
	A1	REV PER ECO-09-026495	30NOV09	KK	AEG	



- 5 **OBSOLETE PARTS: OBSOLETE CIS STREAMLINING PER D.RENAUD/D.SINISI**
- 4) All parts are supplied as loose part except outer shell (item 1) and outer conductor spring (item 2).
- 3) All dimensions are maximum unless otherwise specified.
- 2) Mating face according to DIN 47295/ CECC 22240.
- 1 Reference plane.

5 **OBSOLETE**

Old part number	Tyco part number	Description	Material	Plating	Cable type	Dim a
C42334-A75-A10	1393682-2	Outer conductor	CuBe	1 μ m Au min in contact area	2 YCCY 1.0/6.5 2 YC (mS) CY 1.0/6.5	12.8
		Center conductor	CuSn6/CuBe	1 μ m Au min in contact area		
		Dielectric	PEEK	-		
C42334-A75-A2	1393682-1	Outer conductor	CuBe	1 μ m Au min in contact area	2 YCCY 0.7/4.4	10.8
		Center conductor	CuSn6/CuBe	1 μ m Au min in contact area		
		Dielectric	PEEK	-		



<small>THIS DRAWING IS A CONTROLLED DOCUMENT FOR TYCO ELECTRONICS CORPORATION. IT IS SUBJECT TO CHANGE AND THE CONTROLLING ENGINEERING ORGANIZATION SHOULD BE CONTACTED FOR THE LATEST REVISION.</small>		DWN B. Lenvain 09MAR2001 CHK k. Mattheeuws 05APR2001 APVD R. Leeman 05APR2001		tyco Electronics Tyco Electronics Oostkamp - Belgium	
DIMENSIONS: mm 		TOLERANCES UNLESS OTHERWISE SPECIFIED: 0 PLC \pm 1 PLC \pm 2 PLC \pm 3 PLC \pm 4 PLC \pm ANGLES \pm		NAME Cable plug 1.6/5.6 75 ohm	
MATERIAL - FINISH -		PRODUCT SPEC - APPLICATION SPEC 114-71020 WEIGHT -		SIZE A3 CAGE CODE 00779 DRAWING NO. ©-1393682-1 RESTRICTED TO -	
CUSTOMER DRAWING		SCALE 5/1		SHEET 1 OF 1 REV A1	

单击下面可查看定价，库存，交付和生命周期等信息

[>>TE Connectivity\(泰科\)](#)