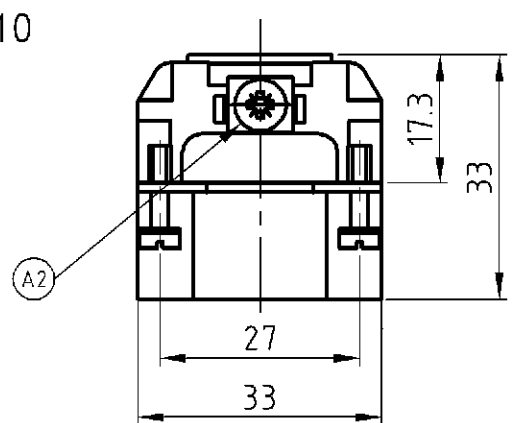
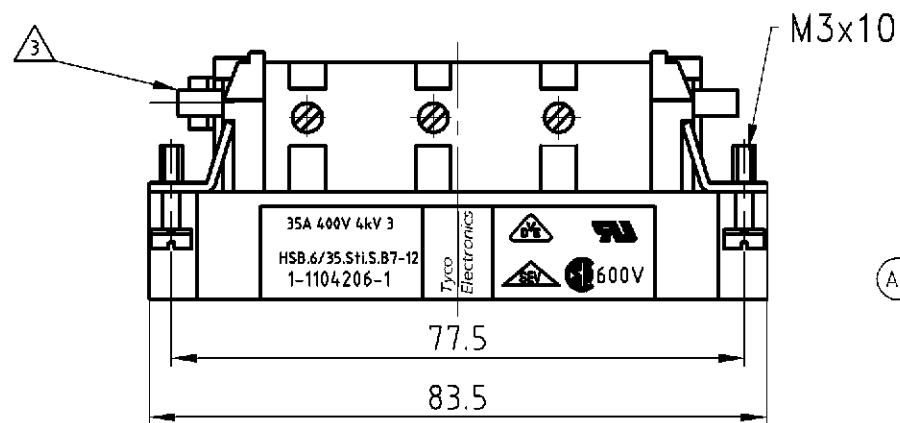


LOC	DIST	REVISIONS ÄNDERUNGEN		
AI	-	P	LTR	DATE
PROJEKT NR.:		A3	ECR-17-014051	05APR18
				DWN
				APVD
				SG
				MKO

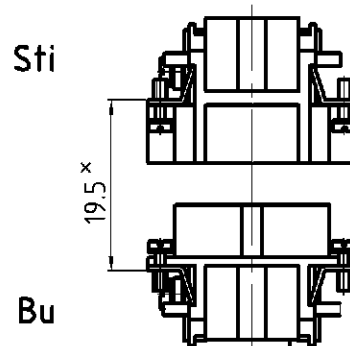
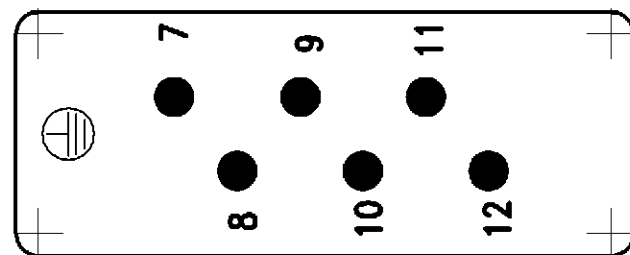


NOTES

- 1 FINISH: CONTACT , AG
- 2 POWER CONTACT: 7 TO 12
 OUTER DIMENSIONS OF INSULATION: MAX. Ø 7.0 MM
- 3 GROUNDING CONTACT
- 4 SUITABLE HOOD SIZE 6: SERIES HB; HD; EMV; HIP
- 5 STANDARDS:
 DIN EN 61984; DIN EN 60664-1
- 6 PACKAGING: 5 PIECES IN A CARTON
- 7 SUPERSEDED BY T2060122101-000

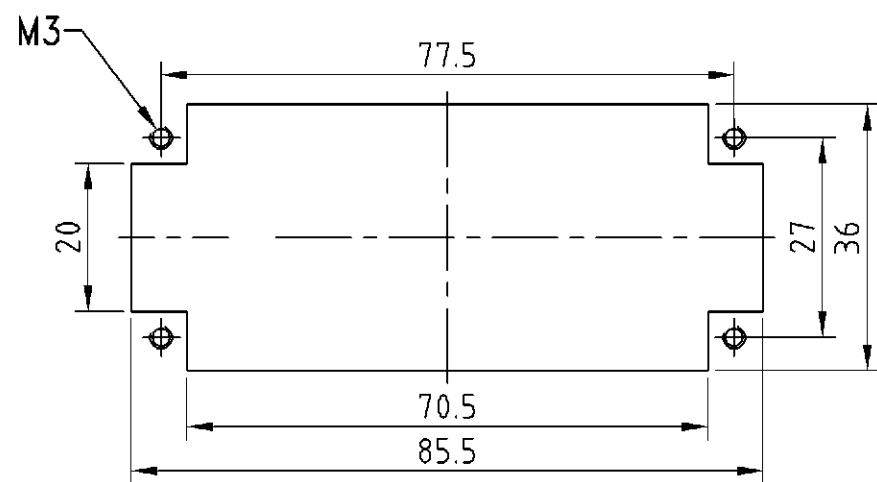
Contact arrangement view from termination side

Assembling instruction



X Distance for guaranteed contact max: 21 mm

Panel cut-out for contact insert when used without housing



1	DESCRIPTION	MATERIAL	COLOR	ITEM NO. POS.	REMARKS	
1	male insert		beige	1	-	
1-1						
HSB.6/35.Sti.S 7-12 ORDERING TEXT / BESTELLTEXT	<small>THIS DRAWING IS A CONTROLLED DOCUMENT FOR AMP INCORPORATED. IT IS SUBJECT TO CHANGE AND THE CONTROLLING ENGINEERING ORGANIZATION SHOULD BE CONTACTED FOR THE LATEST REVISION. DIESES ZEICHNUNGSDOKUMENT WIRD DURCH AMP INCORPORATED KONTROLLIERT. ÄNDERUNGEN, DIE DEM TECHNISCHEN FORTSCHRITT DIENEN, SIND VORBEHALTEN. DEN JEWELNS LETZTGÜLTIGEN ÄNDERUNGSSTAND ERFAHREN SIE AUF ANFRAGE.</small>		DWN Rösgen	04.06.1998		
	<small>DIMENSIONS: DIMENSIONEN: mm</small>		CHK			
	<small>TOLERANCES UNLESS OTHERWISE SPECIFIED: ALLGEMEINTOLERANZEN</small>		APVD -	NAME		
	<small>p. ISO 8015 p. ISO 2768 - mH - E p. DIN 16901 - 14.0</small>		PRODUCT SPEC PRODUKTSPEZ. 108-74006	MALE INSERT		
	<small>0 PLC # 1 PLC # 2 PLC # 3 PLC #</small>		APPLICATION SPEC VERARBEITUNGSSPEZ. 114-74007	HSB.6/35.STI.S 7-12		
<small>ANGLES /WINKEL # FINISH /OBERFLÄCHE/FARBE</small>		WEIGHT GEWICHT 86 g	SIZE A3	CAGE CODE 00779	DRAWING NO ZEICHNUNGS-NR. C-1104206	
		CUSTOMER DRAWING	/KUNDENZEICHNUNG	MASSSTAB 1:1	BLATT 1 OF VON 1	REV A3

单击下面可查看定价，库存，交付和生命周期等信息

[>>TE Connectivity\(泰科\)](#)