

THIS DRAWING IS UNPUBLISHED.
 RELEASED FOR PUBLICATION
 ALL RIGHTS RESERVED.

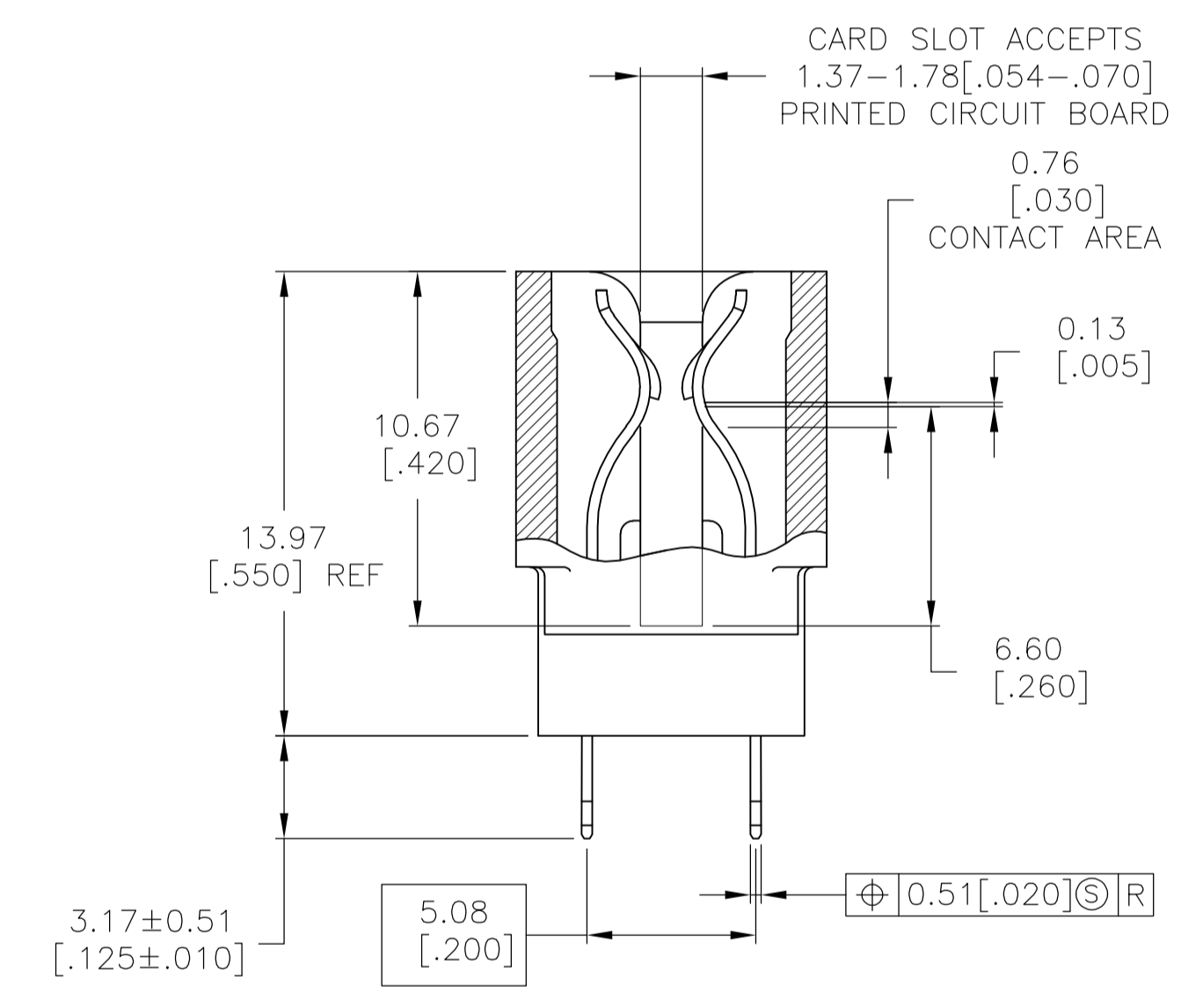
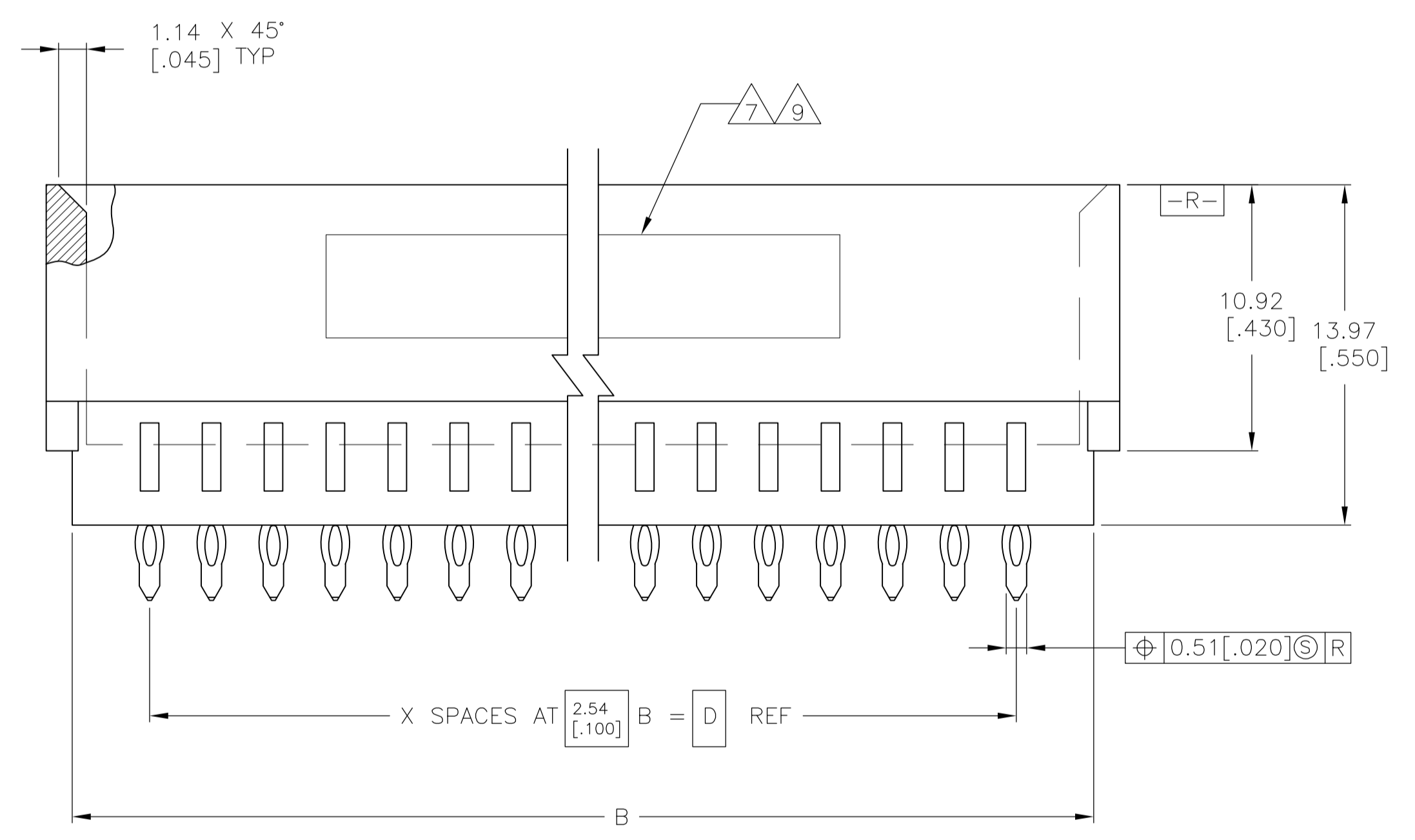
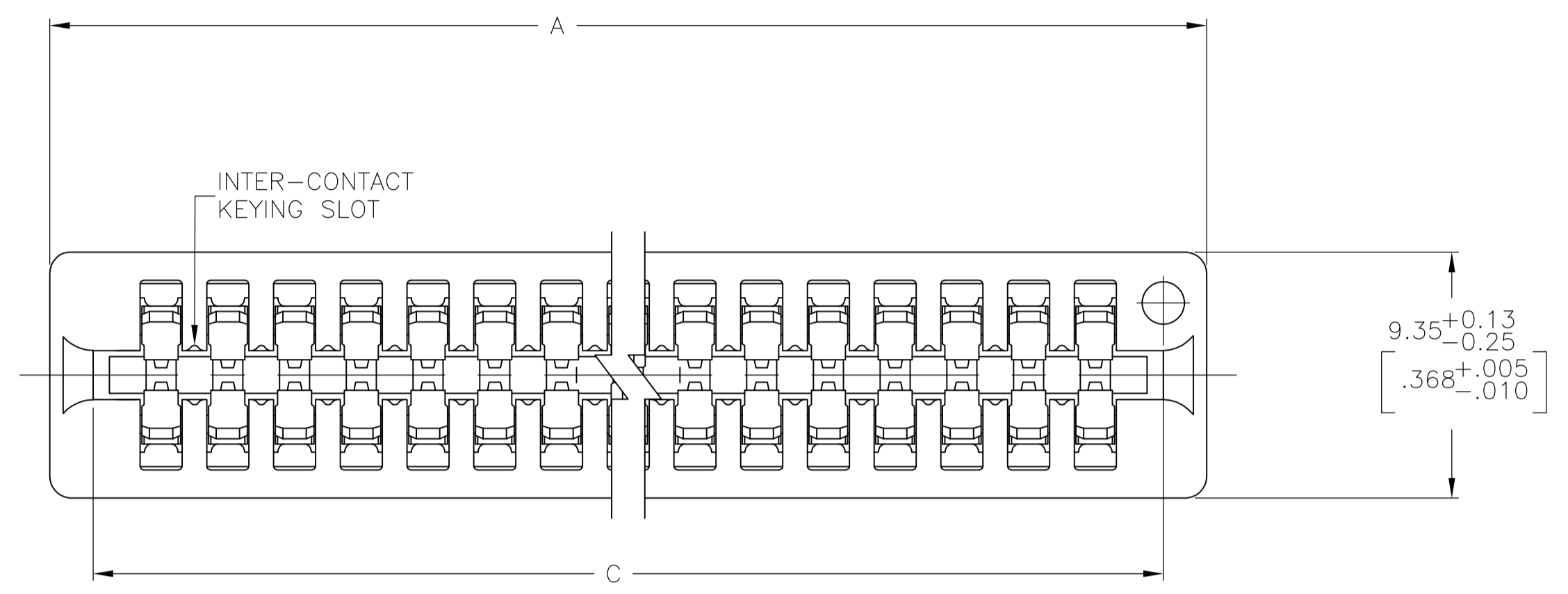
REVISIONS						
P	LTR	DESCRIPTION	DATE	DN	APVD	
H		REVISED PER ECO-15-015185	02NOV2016	SY		SY

- 1 HOUSING: GLASS FILLED POLYESTER; COLOR: BLACK.
- 2 CONTACT: PHOSPHOR BRONZE.
- 3 NICKEL PLATE: 0.00127 [0.00050] MIN - ALL OVER.
- 4 TIN-LEAD PLATE: 0.00254 [0.00100] MIN - SOLDER POSTS.
- 5 GOLD PLATE: 0.00076 [0.00030] MIN - CONTACT AREA.
- 6 NICKEL PLATE PER MIL-G-45204.
GOLD PLATE PER QQ-N-290.
- 7 TE PART NUMBER, DATE CODE AND CSA LOGO MAY BE MARKED
IN APPROXIMATE AREA SHOWN, EITHER SIDE.
- 8 RECOMMENDED PCB FINISHED HOLE DIA: 1.02±0.08[.040±.003]
- 9 COUNTRY OF ORIGIN MAY BE MARKED IN APPROXIMATE AREA SHOWN,
EITHER SIDE.
- 10 OBSOLETE PARTS: OBSOLETE CIS STREAMLINING PER D.RENAUD/D.SINISI

	D	C	B	A	X	POSN	PART NO
OBSOLETE	149.86	155.04	156.21	158.34	59	60	6-147490-0
	147.32	152.50	153.67	155.80	58	59	5-147490-9
OBSOLETE	144.78	149.96	151.13	153.26	57	58	5-147490-8
	142.24	147.42	148.59	150.72	56	57	5-147490-7
OBSOLETE	139.70	144.88	146.05	148.18	55	56	5-147490-6
	137.16	142.34	143.51	145.64	54	55	5-147490-5
OBSOLETE	134.62	139.80	140.97	143.10	53	54	5-147490-4
	132.08	137.26	138.43	140.56	52	53	5-147490-3
OBSOLETE	129.54	134.72	135.89	138.02	51	52	5-147490-2
	127.00	132.18	133.35	135.48	50	51	5-147490-1
OBSOLETE	124.46	129.64	130.81	132.94	49	50	5-147490-0
	121.92	127.10	128.27	130.40	48	49	4-147490-9
OBSOLETE	119.38	124.56	125.73	127.86	47	48	4-147490-8
	116.84	122.02	123.19	125.32	46	47	4-147490-7
OBSOLETE	114.30	119.48	120.65	122.78	45	46	4-147490-6
	111.76	116.94	118.11	120.24	44	45	4-147490-5
OBSOLETE	109.22	114.40	115.57	117.70	43	44	4-147490-4
	106.68	111.86	113.03	115.16	42	43	4-147490-3
OBSOLETE	104.14	109.32	110.49	112.62	41	42	4-147490-2
	101.60	106.78	107.95	110.08	40	41	4-147490-1
OBSOLETE	99.06	104.24	105.41	107.54	39	40	4-147490-0
	96.52	101.70	102.87	105.00	38	39	3-147490-9
OBSOLETE	93.98	99.16	100.33	102.46	37	38	3-147490-8
	91.44	96.62	97.79	99.92	36	37	3-147490-7
OBSOLETE	88.90	94.08	95.25	97.38	35	36	3-147490-6
	86.36	91.54	92.71	94.84	34	35	3-147490-5
OBSOLETE	83.82	89.00	90.17	92.30	33	34	3-147490-4
	81.28	86.46	87.63	89.76	32	33	3-147490-3
OBSOLETE	78.74	83.92	85.09	87.22	31	32	3-147490-2
	76.20	81.38	82.55	84.68	30	31	3-147490-1
OBSOLETE	73.66	78.84	80.01	82.14	29	30	3-147490-0
	71.12	76.30	77.47	79.60	28	29	2-147490-9
OBSOLETE	68.58	73.76	74.93	77.06	27	28	2-147490-8
	66.04	71.22	72.39	74.52	26	27	2-147490-7
OBSOLETE	63.50	68.68	69.85	71.98	25	26	2-147490-6
	60.96	66.14	67.31	69.44	24	25	2-147490-5
OBSOLETE	58.42	63.60	64.77	66.90	23	24	2-147490-4
	55.88	61.06	62.23	64.36	22	23	2-147490-3
OBSOLETE	53.34	58.52	59.69	61.82	21	22	2-147490-2
	50.80	55.98	57.15	59.28	20	21	2-147490-1
OBSOLETE	48.26	53.44	54.61	56.74	19	20	2-147490-0
	45.72	50.90	52.07	54.20	18	19	1-147490-9
OBSOLETE	43.18	48.36	49.53	51.66	17	18	1-147490-8
	40.64	45.82	46.99	49.12	16	17	1-147490-7
OBSOLETE	38.10	43.28	44.45	46.58	15	16	1-147490-6
	35.56	40.74	41.91	44.04	14	15	1-147490-5
OBSOLETE	33.02	38.20	39.37	41.50	13	14	1-147490-4
	30.48	35.66	36.83	38.96	12	13	1-147490-3
OBSOLETE	27.94	33.12	34.29	36.42	11	12	1-147490-2
	25.40	30.58	31.75	33.88	10	11	1-147490-1
OBSOLETE	22.86	28.04	29.21	31.34	9	10	1-147490-0

THIS DRAWING IS A CONTROLLED DOCUMENT.		DIN R BROWN 31JUL00		TE Connectivity		
DIMENSIONS: mm [INCHES]		CHK M MILLER 31JUL00		NAME		
TOLERANCES UNLESS OTHERWISE SPECIFIED:		APVD M MILLER 31JUL00		CONNECTOR ASSEMBLY, NEXT GEN PACE, 2.54 [.100] CL		
0 PLC ± - 1 PLC ± - 2 PLC ± 0.13 [.005] 3 PLC ± - 4 PLC ± - ANGLES ± -		APPLICATION SPEC		SIZE CAE CODE DRAWING NO		
MATERIAL HOUSING 1 CONTACT 2		WEIGHT 0		A1 00779 C=147490		
FINISH CONTACT 3/4/5/6		CUSTOMER DRAWING		SCALE 5:1 SHEET 1 OF 2 REV H		

REVISIONS				
P	LYR	DESCRIPTION	DATE	BY
-	-	SEE SHEET 1	-	-



THIS DRAWING IS A CONTROLLED DOCUMENT.		DW R BROWN	31JUL00	TE Connectivity
DIMENSIONS: mm [INCHES]		CHK M MILLER	31JUL00	
TOLERANCES UNLESS OTHERWISE SPECIFIED:		APP'D M MILLER	31JUL00	NAME
0 PLC ± -		PRODUCT SPEC		CONNECTOR ASSEMBLY, NEXT GEN PACE, 2.54 [.100] CL
1 PLC ± -		APPLICATION SPEC		
2 PLC ± 0.13 [.005]		SIZE		A1
3 PLC ± -		CAGE CODE		00779
4 PLC ± -		DRAWING NO		147490
ANGLES ± -		WEIGHT		-
MATERIAL	FINISH	CUSTOMER DRAWING		SCALE 5:1
HOUSING 1	3 4 5 6	SHEET 2 OF 2		REV H
CONTACT 2				

单击下面可查看定价，库存，交付和生命周期等信息

[>>TE Connectivity\(泰科\)](#)