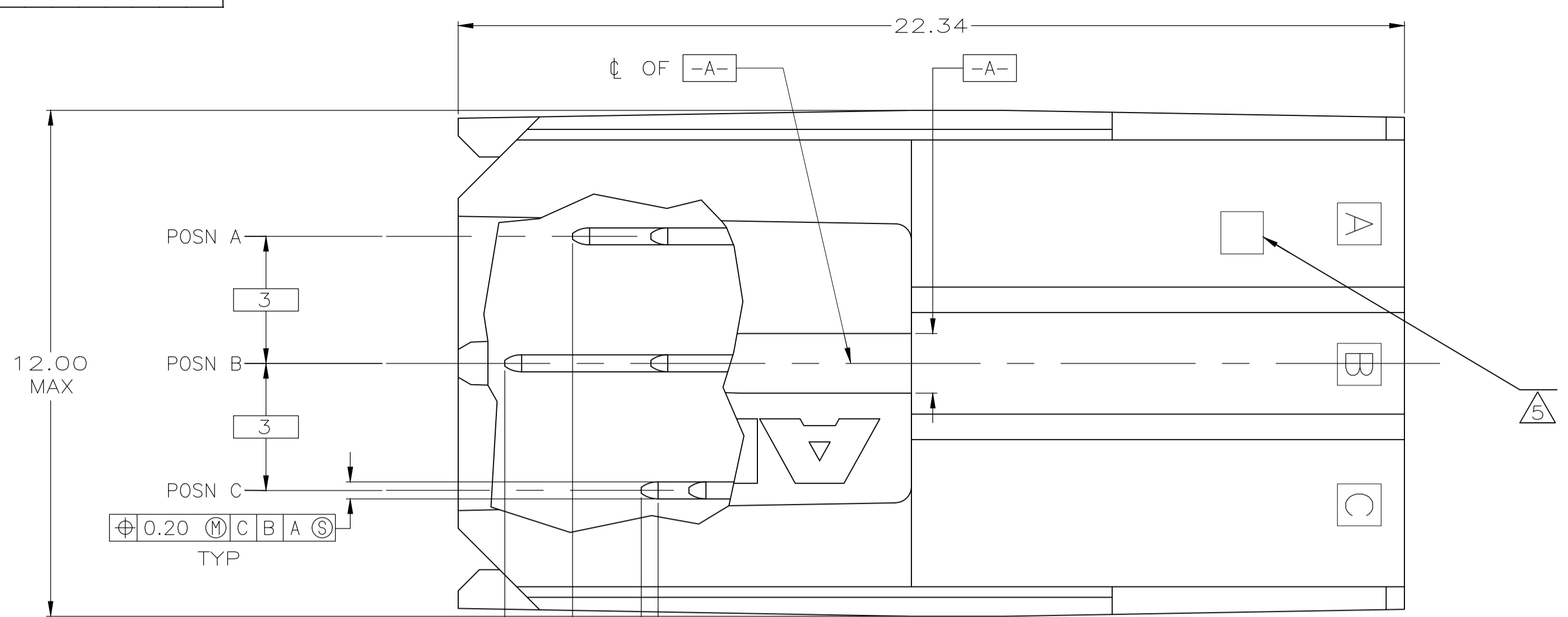
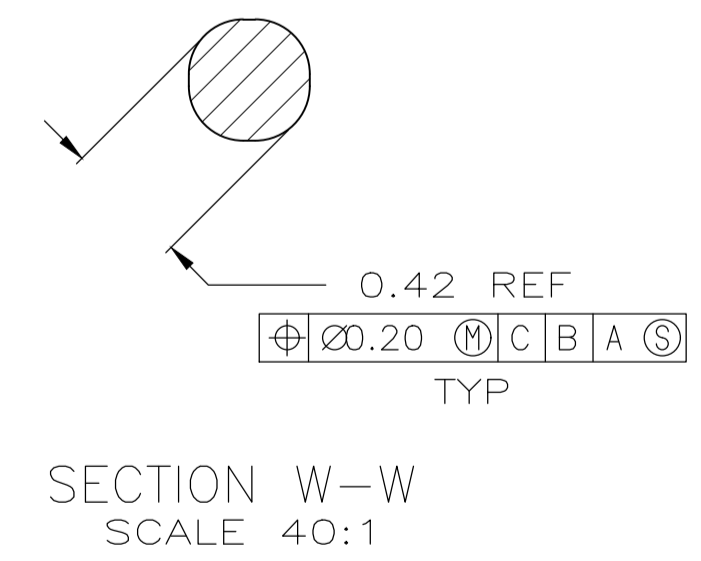
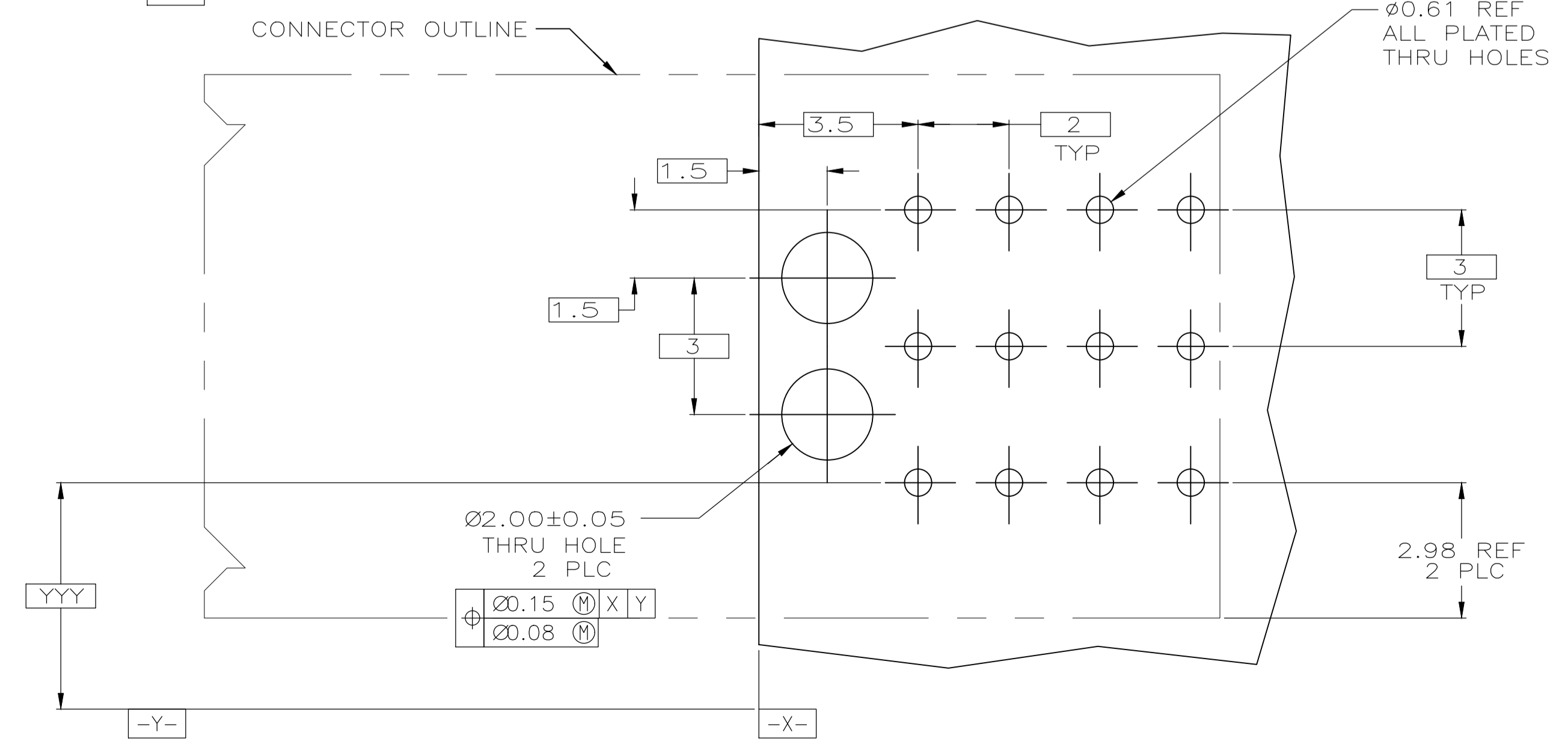
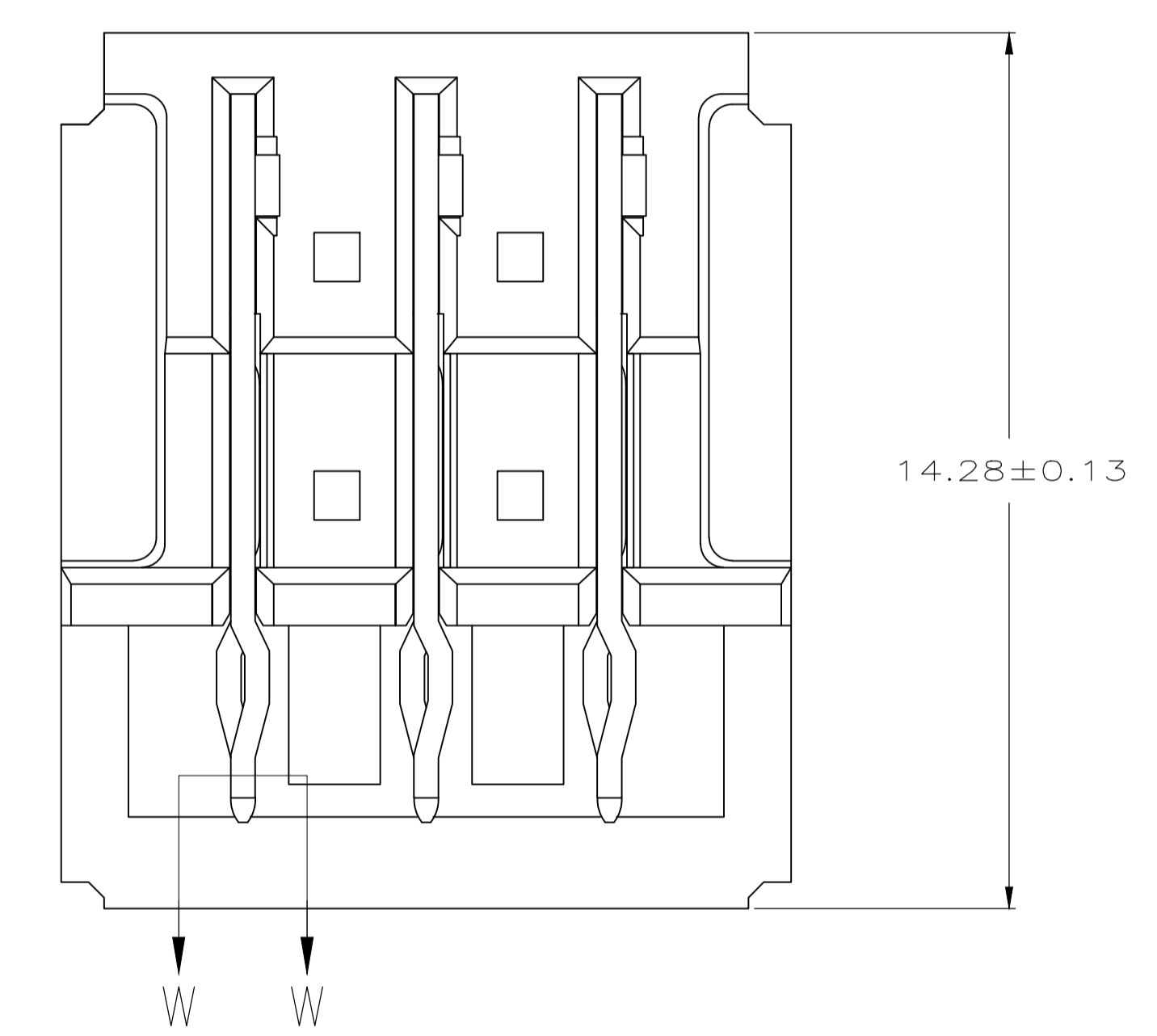
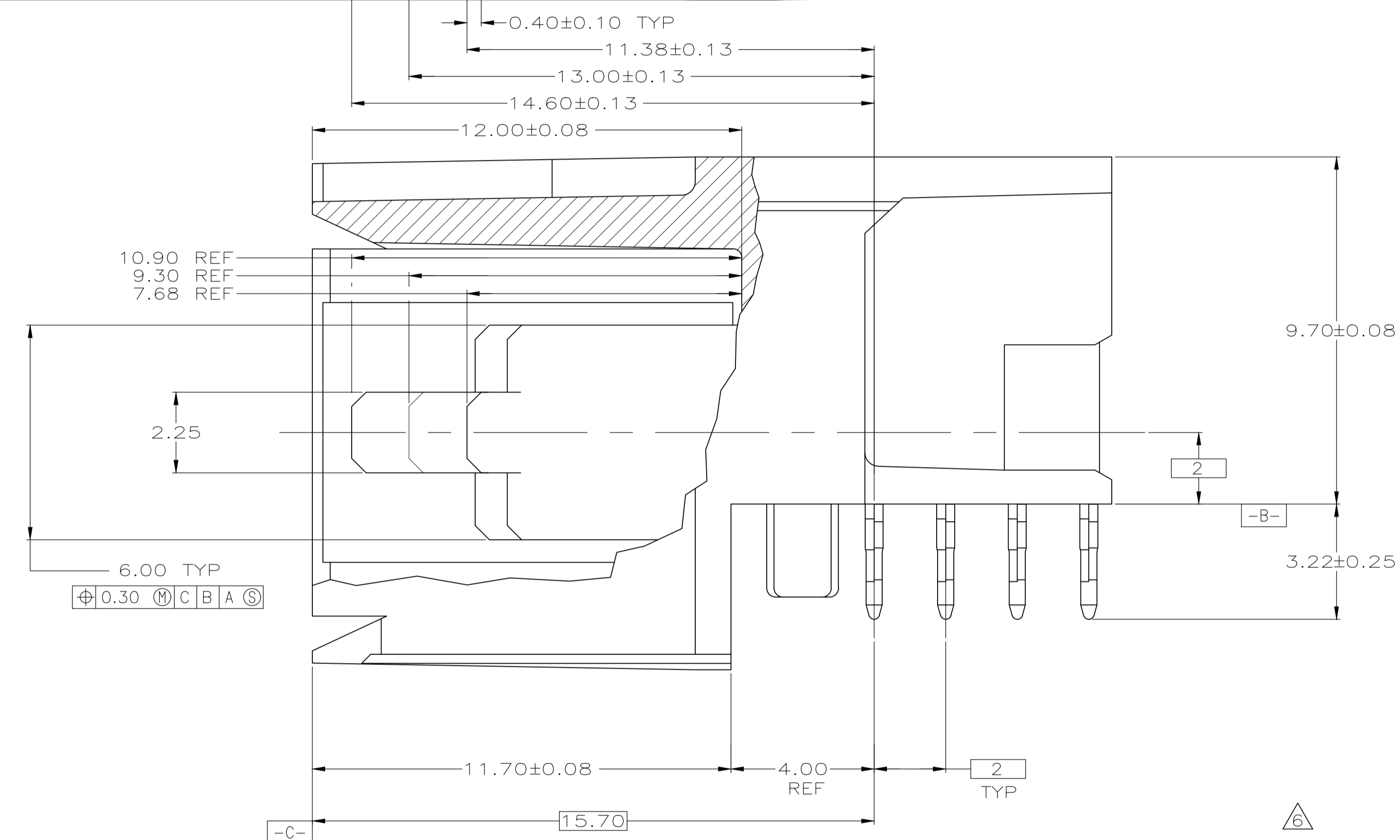
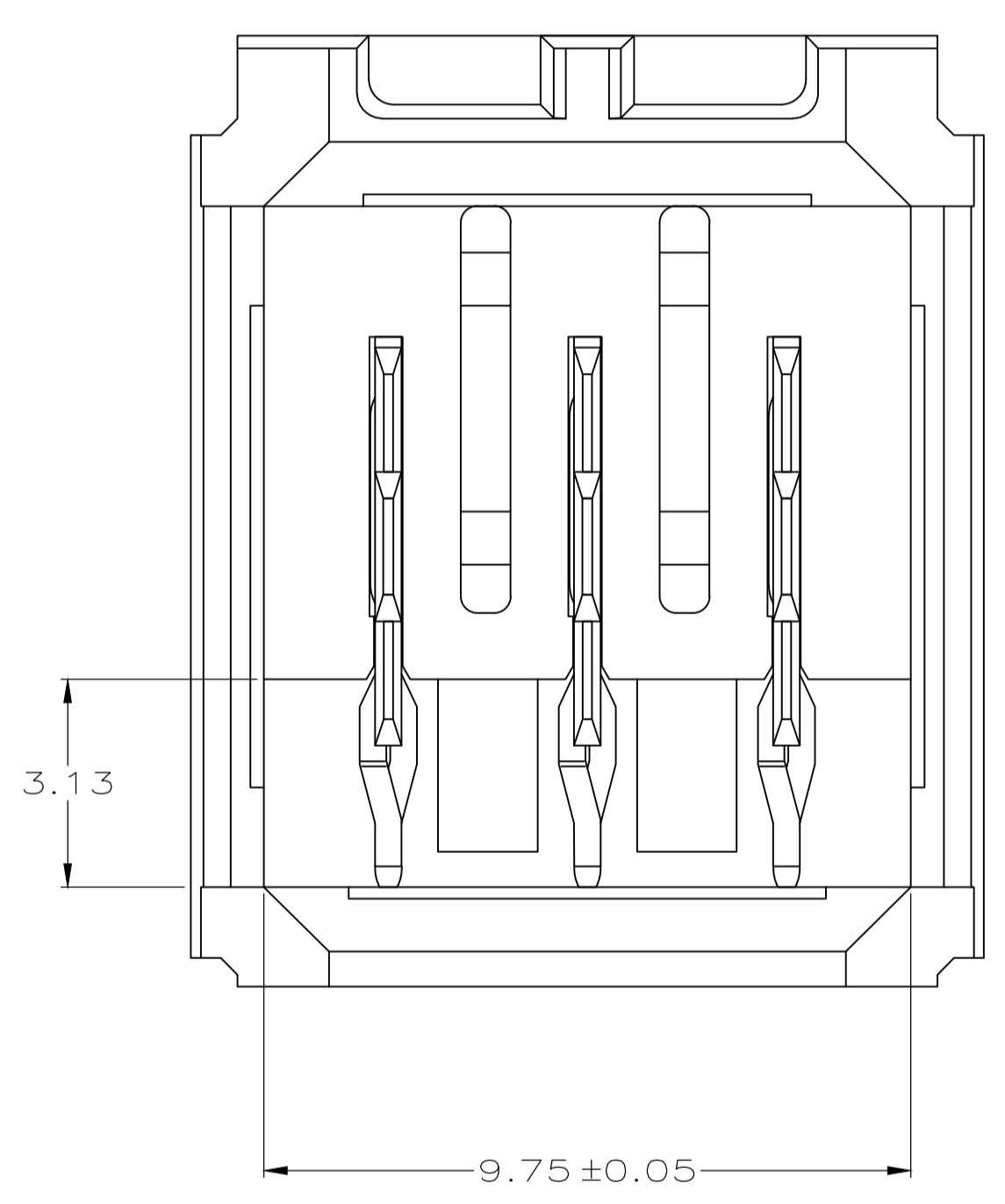


LOC		DIST		REVISIONS			
P	LTR	DATE	DMN	APVD			
B1	REV PER ECO-20-004668	08JUN2020	ML	SZ			



- 1 MATERIAL: HOUSING: POLYESTER, COLOR: GRAY. UL 94V-0. CONTACT: PHOSPHOR BRONZE.
- 2 FINISH: IN ACCORDANCE WITH PRODUCT SPECIFICATION 108-1651, GOLD PLATING OR EQUIVALENT PLATING ON PRODUCT CONTACT MATING AREA, AND MATTE TIN PLATING ON COMPLIANT PIN AREA, ALL OVER MATTE NICKEL UNDERPLATED. DETAIL PLEASE REFER TO PRODUCT SPECIFICATION 108-1651.
- 3 FINISH: CONTACT LUBRICATION WITH BELLCORE APPROVED LUBRICANT. TECHNICAL REFERENCE: TR-NWT-001217 ISSUE 1, SEPT 1992.
- 4 MATERIAL: HOUSING: LCP; COLOR, RED. UL 94V-0. CONTACT: PHOSPHOR BRONZE.
- 5 NUMBER "1" MARKED IN THIS AREA.
- 6 REFERENCE APPLICATION SPEC 114-1103 FOR RECOMMENDED PLATED THRU HOLE DIAMETER AND PLATING THICKNESS.
- 7 CURRENT RATING 10A/CONTACT PER PRODUCT SPEC 108-1651.



1 2 3 4 5	5223964-6
1 2 3	5223964-1
FINISH	PART NUMBER

RECOMMENDED PCB HOLE LAYOUT

THIS DRAWING IS A CONTROLLED DOCUMENT.

DIMENSIONS: mm	TOLERANCES UNLESS OTHERWISE SPECIFIED:	DIN B CARBO 10DEC04	10DEC04	Tyco Electronics Corporation Harrisburg, PA 17105-3608
0 PLC ± -	1 PLC ± -	DRW R PATTERSON 10DEC04	NAME R PATTERSON 10DEC04	ASSEMBLY, RIGHT ANGLE HEADER, W/ RETENTION PEGS, UNIVERSAL POWER MODULE
2 PLC ± 0.13	3 PLC ± 0.13	PRODUCT SPEC 108-1651	APPLICATION SPEC 114-1103	SIZE A1
4 PLC ± -	ANGLES ± -	WEIGHT -	CAGE CODE DRAWING NO 00779	RESTRICTED TO -
MATERIAL 1-4	FINISH 2-3	CUSTOMER DRAWING	SCALE 10:1	SHEET 1 OF 1

单击下面可查看定价，库存，交付和生命周期等信息

[>>TE Connectivity\(泰科\)](#)