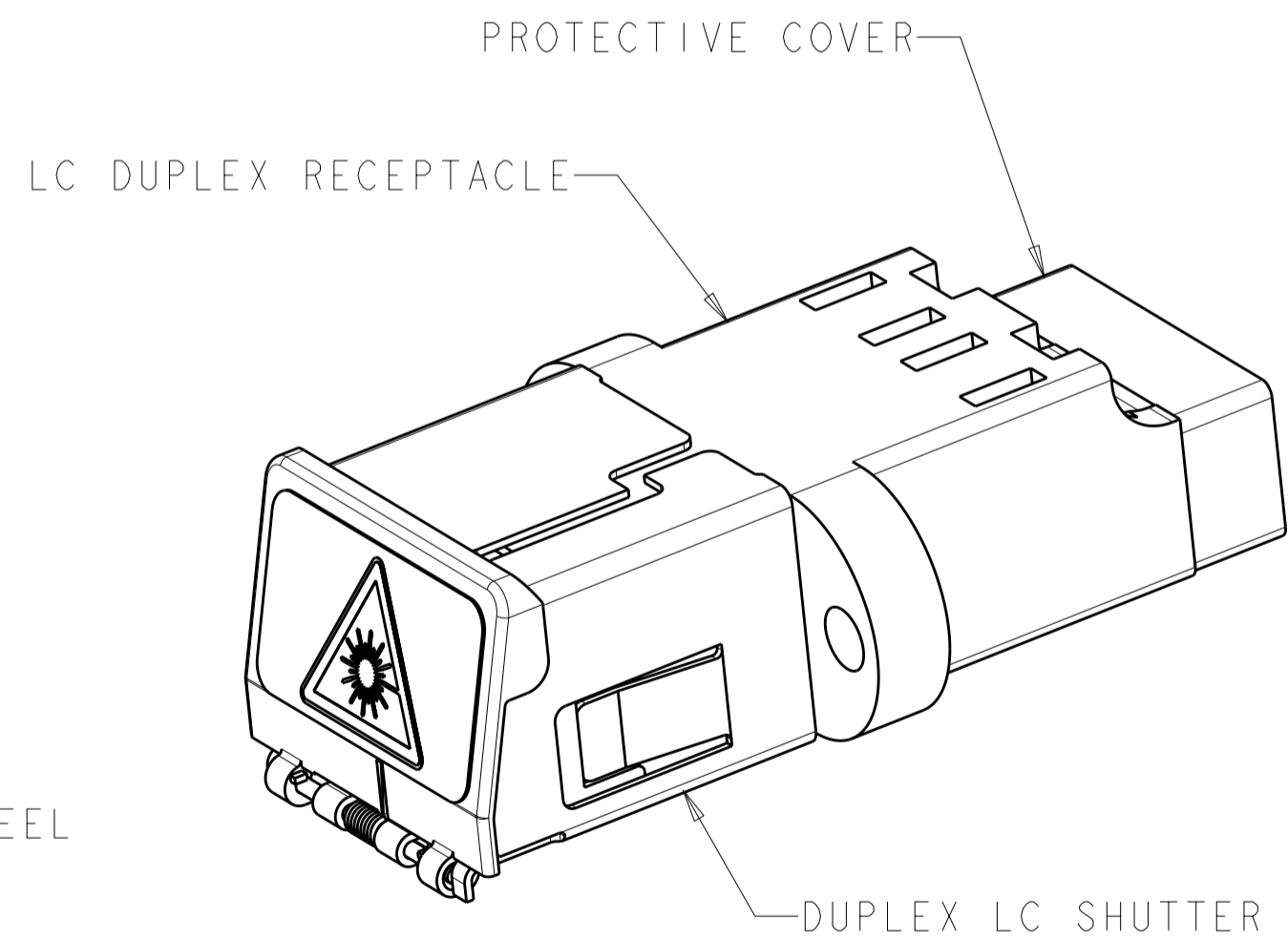
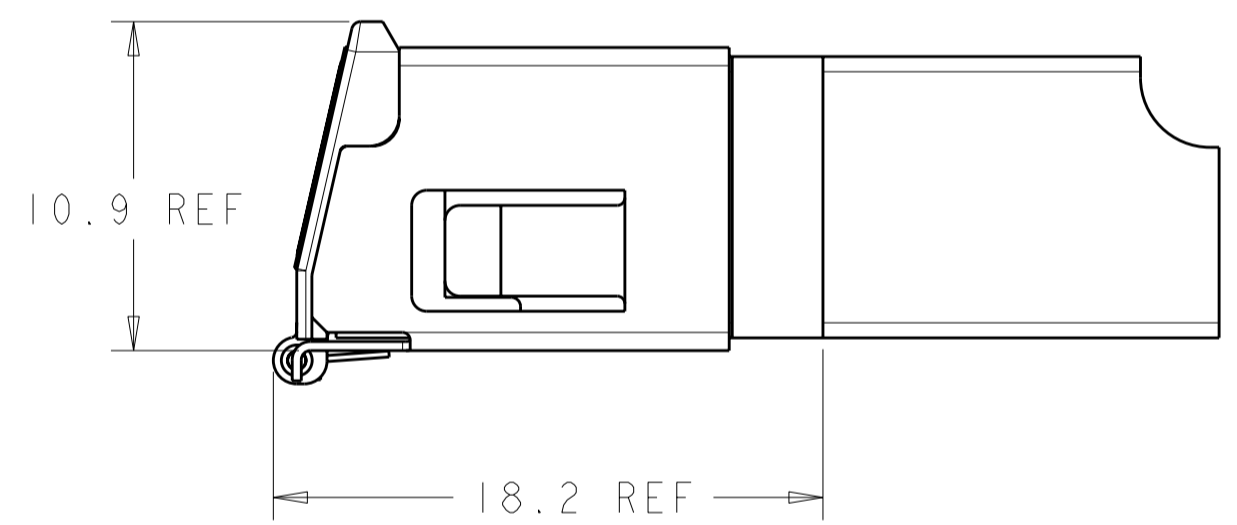
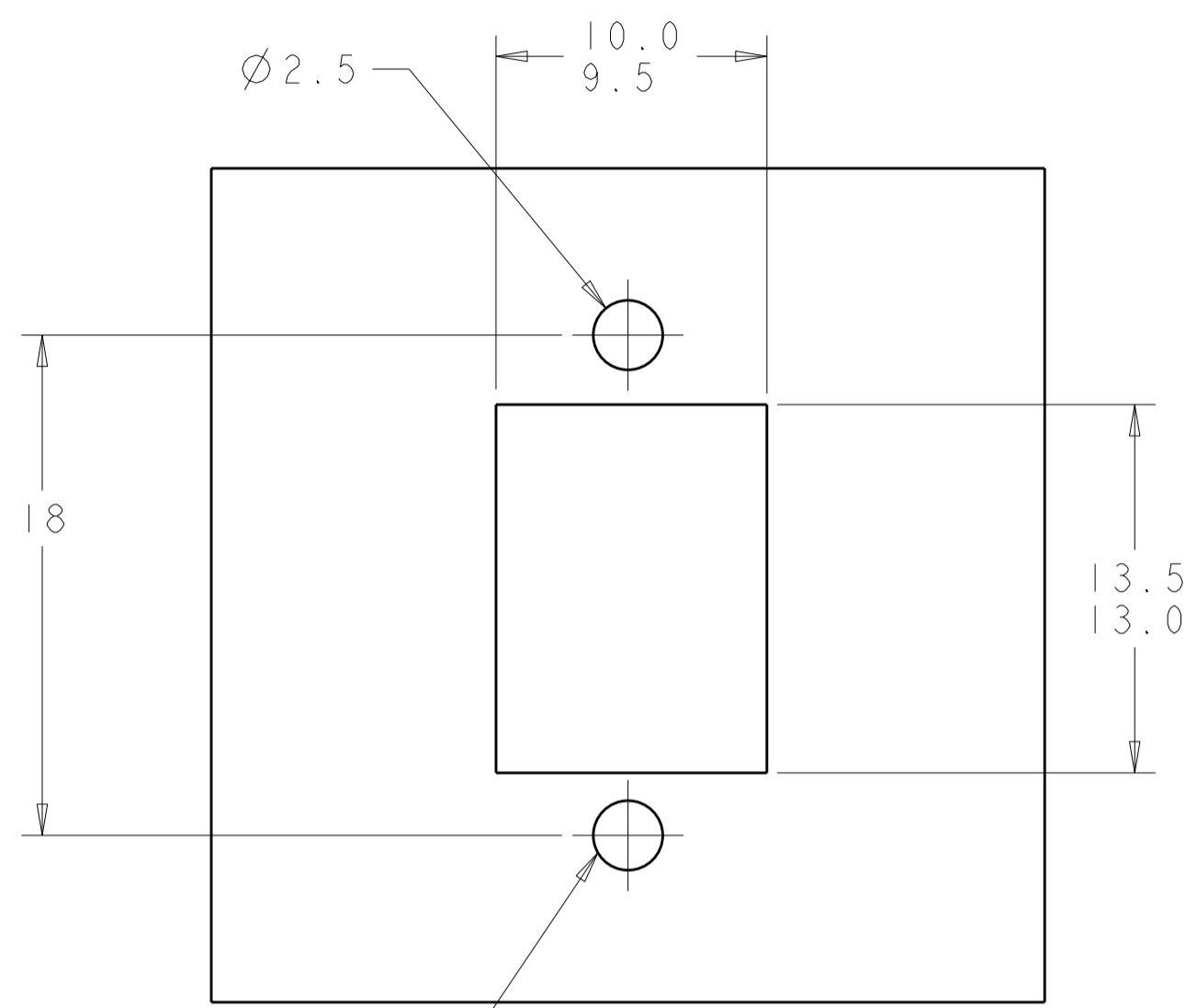
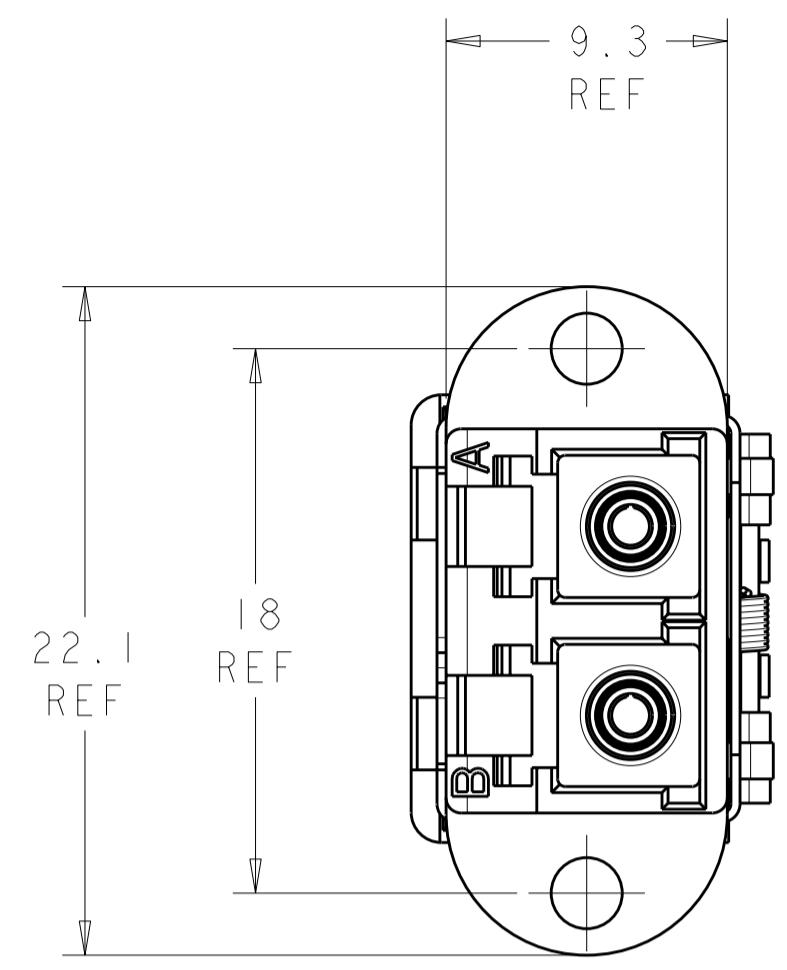
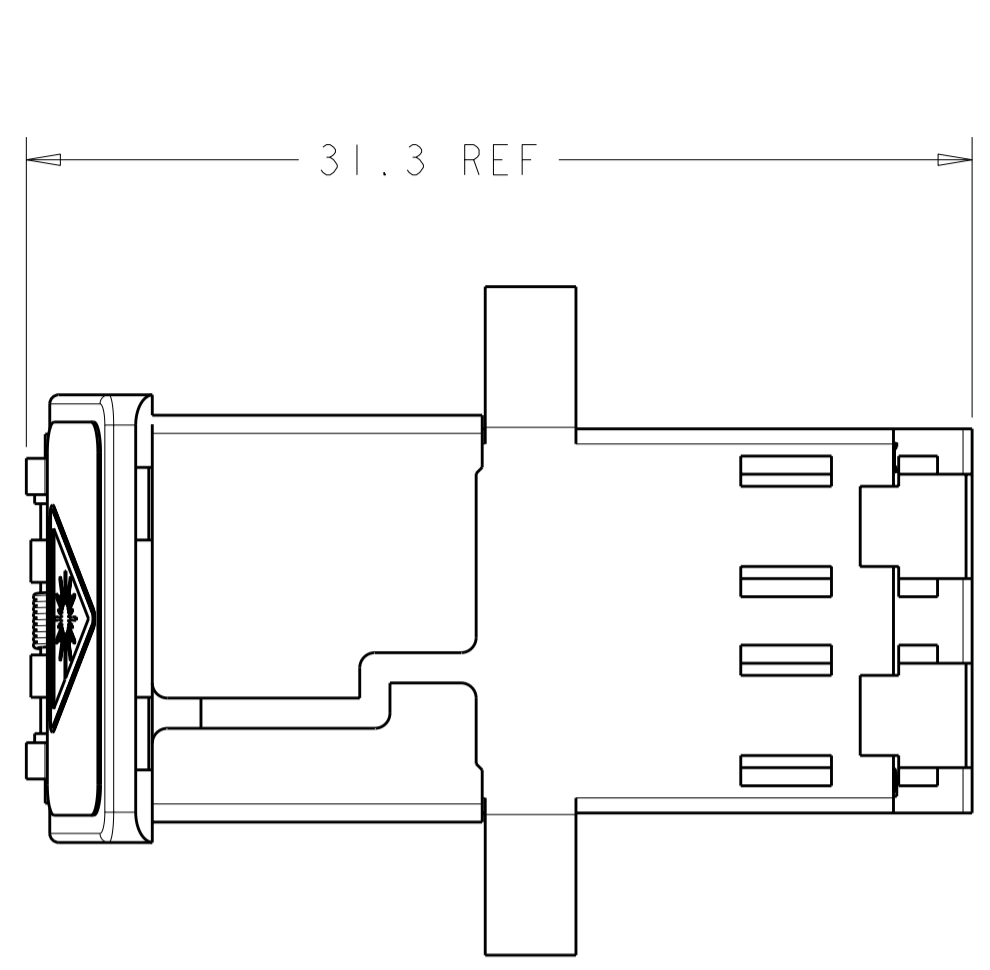


THIS DRAWING IS UNPUBLISHED. RELEASED FOR PUBLICATION 20
 © COPYRIGHT 20 BY TYCO ELECTRONICS CORPORATION. ALL RIGHTS RESERVED.

LOC	DIST	REVISIONS			
P	LTR	DESCRIPTION	DATE	DWN	APVD
CE	00	A	ECR-09-013584	23JUN2009	BB SM



M2-0.4 OR #2-56UNC WHEN REQUIRED

RECOMMENDED PANEL CUTOUT MAX. THICKNESS 1.7.

1 MATERIAL:
 HOUSING: ZINC DIE CAST
 PROTECTIVE CAP: THERMOPLASTIC ELASTOMER
 ALIGNMENT SLEEVE: CERAMIC
 SHUTTER HOUSING, SPRING, AND SHAFT: STAINLESS STEEL
 SHUTTER DOOR: POLYCARBONATE, COLOR: BLACK*
 LABEL: PET FILM, COLOR: BLUE
 *UL 94 V-0 RATED AT QUALIFYING THICKNESS

2 FINISH:
 HOUSING: ELECTROLESS NICKEL OVER COPPER

2064685-1
 PART NUMBER

<small>THIS DRAWING IS A CONTROLLED DOCUMENT FOR TYCO ELECTRONICS CORPORATION. IT IS SUBJECT TO CHANGE AND THE CONTROLLING ENGINEERING ORGANIZATION SHOULD BE CONTACTED FOR THE LATEST REVISION.</small>		DWN B. BRIGGS 03NOV2008 CHK S. MILLER 03NOV2008 APVD D. BAECHTLE 03NOV2008	Tyco Electronics Tyco Electronics Harrisburg, PA 17105-3608
DIMENSIONS: mm 	TOLERANCES UNLESS OTHERWISE SPECIFIED: 0 PLC ±0.1 1 PLC ±0.1 2 PLC ± 3 PLC ± 4 PLC ± ANGLES ± FINISH 2	PRODUCT SPEC APPLICATION SPEC WEIGHT	NAME ASSEMBLY, DUPLEX LC RECEPTACLE, METAL SIZE A2 CAGE CODE 00779 DRAWING NO. C-2064685 RESTRICTED TO -
MATERIAL 1 -		CUSTOMER DRAWING	SCALE 5:1 SHEET 1 OF 1 REV A

单击下面可查看定价，库存，交付和生命周期等信息

[>>TE Connectivity\(泰科\)](#)